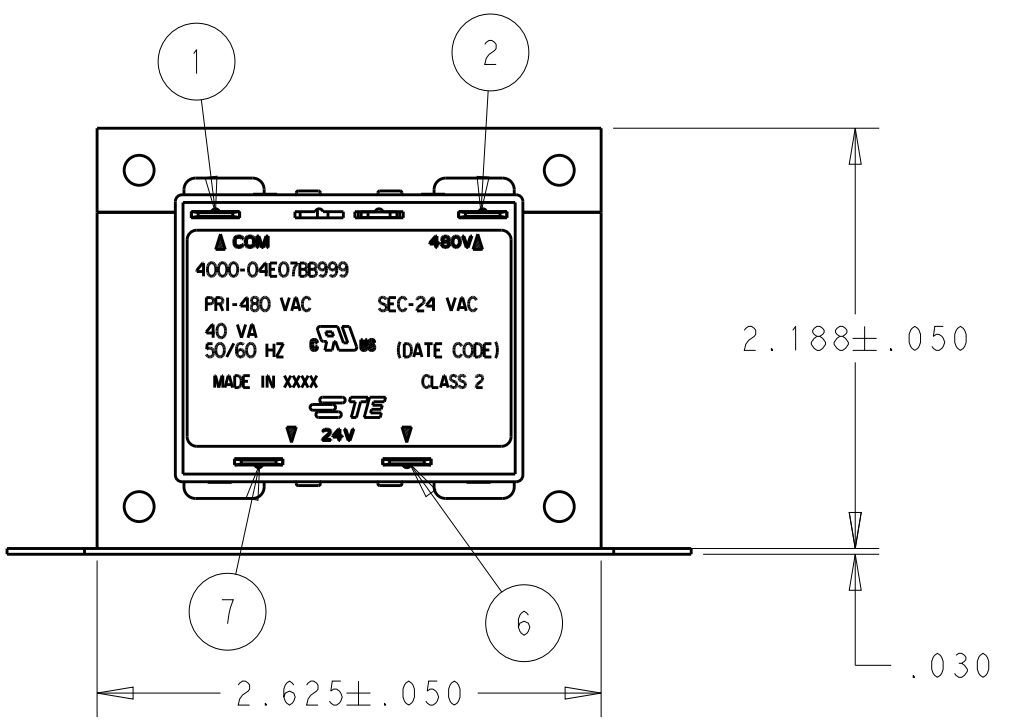


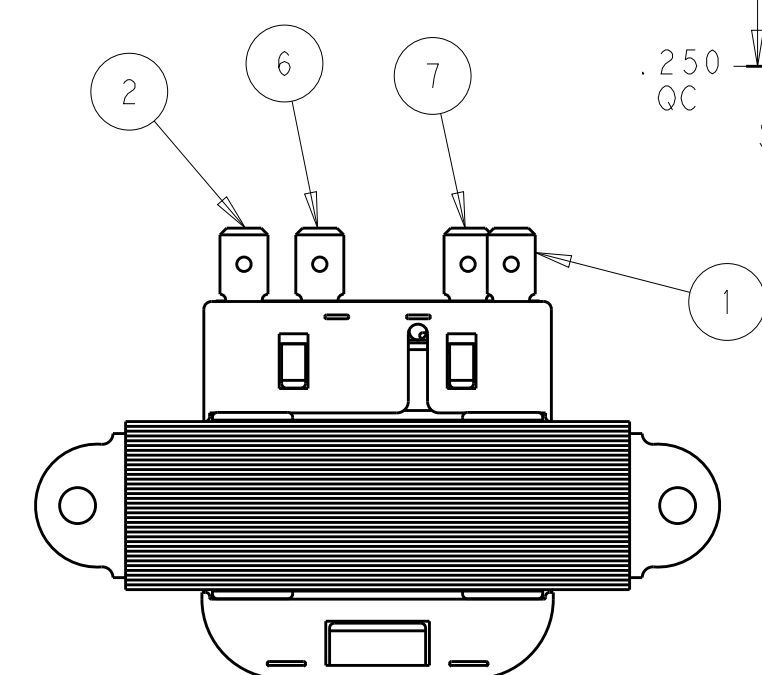
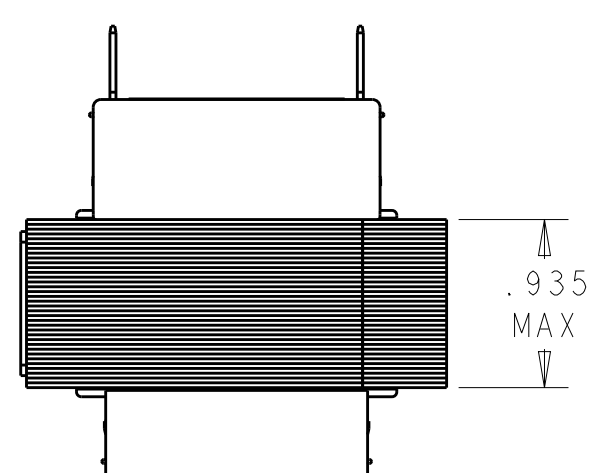
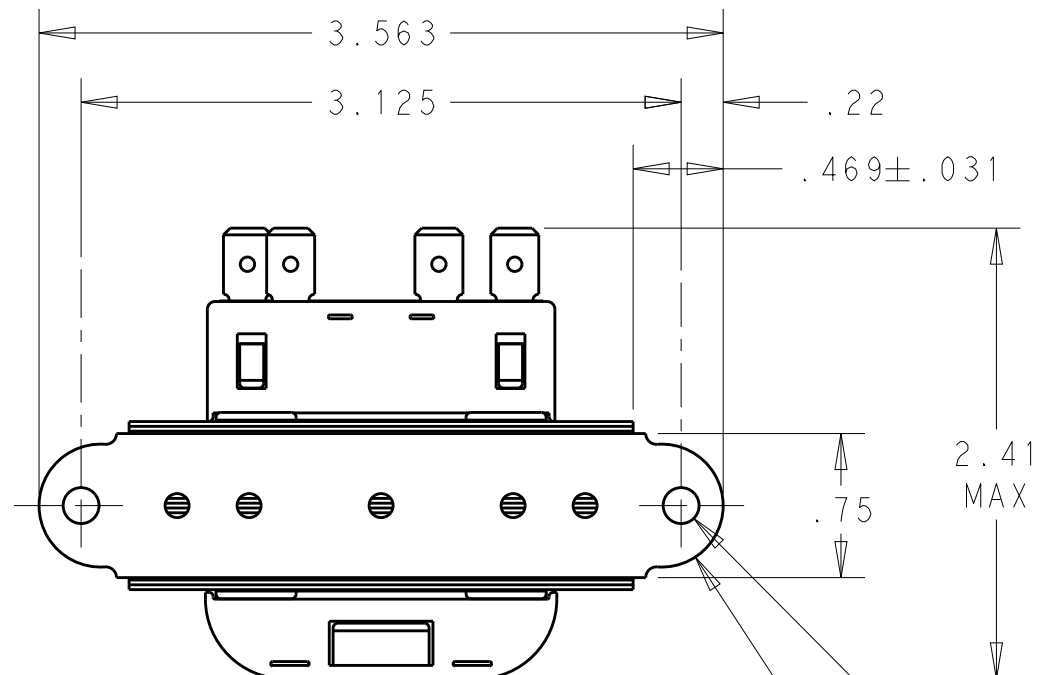
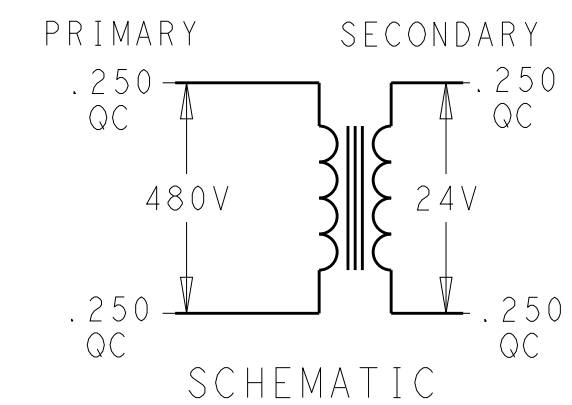
THIS DRAWING IS UNPUBLISHED. RELEASED FOR PUBLICATION 20
 © COPYRIGHT 20 BY - ALL RIGHTS RESERVED.

LOC	DIST	REVISIONS			
P	LTR	DESCRIPTION	DATE	DWN	APVD
GZ	00	B	ECR-20-011841	27AUG2020	VS DB

CERTIFICATION: UL & CUL FILE NO. E87824					
PRIMARY			SECONDARY		
TERMINAL NO.	1	2	TERMINAL NO.	6	7
VOLTAGE	COM	480	VOLTAGE	24	VAC
TERM. WIDTH	.250	.250	TERM. WIDTH	.250	.250
TERM. THICKNESS	.032	.032	TERM. THICKNESS	.032	.032



1. WINDING PROTECTION: INHERENTLY LIMITING.



Ø .187 ± .005
2X
R.320
2X

5-1611454-8
TE PART NO.

THIS DRAWING IS A CONTROLLED DOCUMENT.		DWN VIC SLACK 13MAY2019	TE Connectivity		
DIMENSIONS: INCHES		CHK D. BLOESCH 13MAY2019			
TOLERANCES UNLESS OTHERWISE SPECIFIED:		APVD D. BLOESCH 13MAY2019	NAME TRANSFORMER OUTLINE		
0 PLC ±- 1 PLC ±.1 2 PLC ±.03 3 PLC ±.015 4 PLC ±- ANGLES ±-		PRODUCT SPEC -	RESTRICTED TO -		
MATERIAL -		APPLICATION SPEC -	SIZE A3	CAGE CODE 00779	DRAWING NO G-4000-04E07BB999
FINISH -		WEIGHT -	Customer Drawing		
		SCALE 1:1	SHEET 1	OF 1	REV B