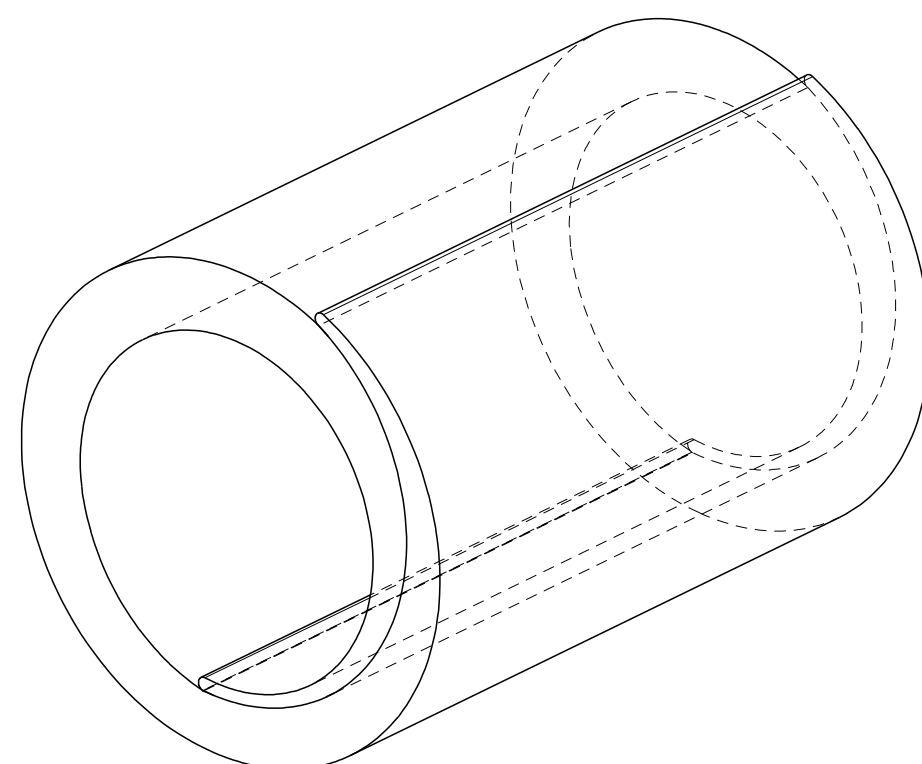
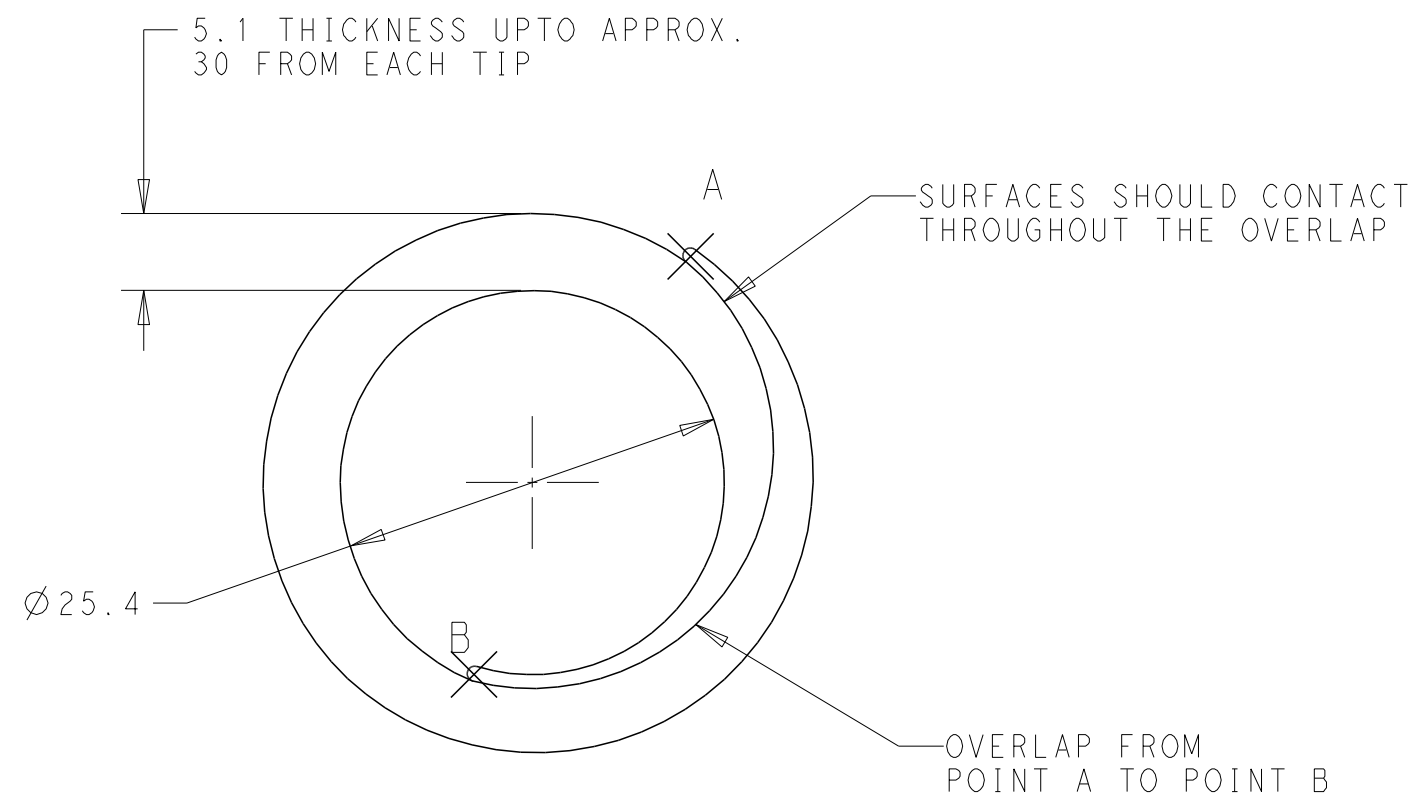


REVISIONS

P	LTR	DESCRIPTION	DATE	DWN	APVD
	A	NEW DRAWING	18FEB2016	KR	I.B



ISO METRIC VIEW

- NOTES:
- 25.4, +/- 2.0mm I/D MAXIMUM IN NATURAL STATE
 - MATERIAL THICKNESS 5.1 +/- 0.51mm
 - OVERLAP 55.9 MINIMUM
 - LENGTH 1 X 7.0M -0/+1M

NOTES	UOM	QTY.	PART DESCRIPTION	ITEM No.
Instruction	PC	1	PII-55790	1
Cable Ties	BAG	1	CPGI-CTY-11-50-BLK-Q	2
MVCC RED	M	1X7M	MVCC-25/1.0(S7)	3

THIS DRAWING IS A CONTROLLED DOCUMENT.		DWN RAGHU 18FEB2016						
DIMENSIONS: mm		CHK IAN BOND 18FEB2016				NAME MVCC-25/1.0(S7)		
TOLERANCES UNLESS OTHERWISE SPECIFIED: 0 PLC ± 1 PLC ±0.5 2 PLC ±0.13 3 PLC ±0.013 4 PLC ±0.0001 ANGLES ±		APVD DONALD BARRETT 18FEB2016				PRODUCT SPEC -		
MATERIAL -		FINISH -				APPLICATION SPEC -		
		WEIGHT -	SIZE A3	CAGE CODE -	DRAWING NO C-4-1899834-2	RESTRICTED TO -		
CUSTOMER DRAWING			SCALE 2:1	SHEET 1 OF 1	REV A			