

THIS DRAWING IS UNPUBLISHED.

RELEASED FOR PUBLICATION

20

LOC - -

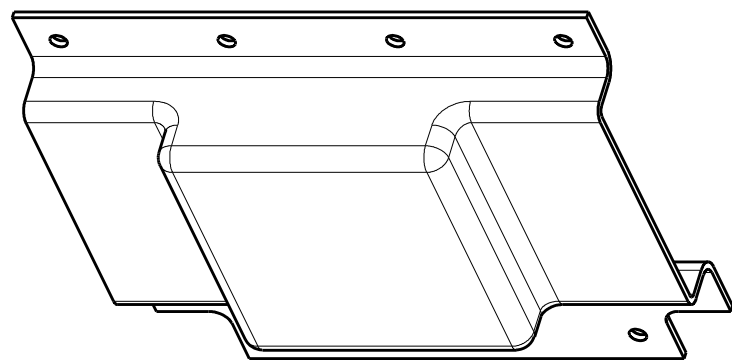
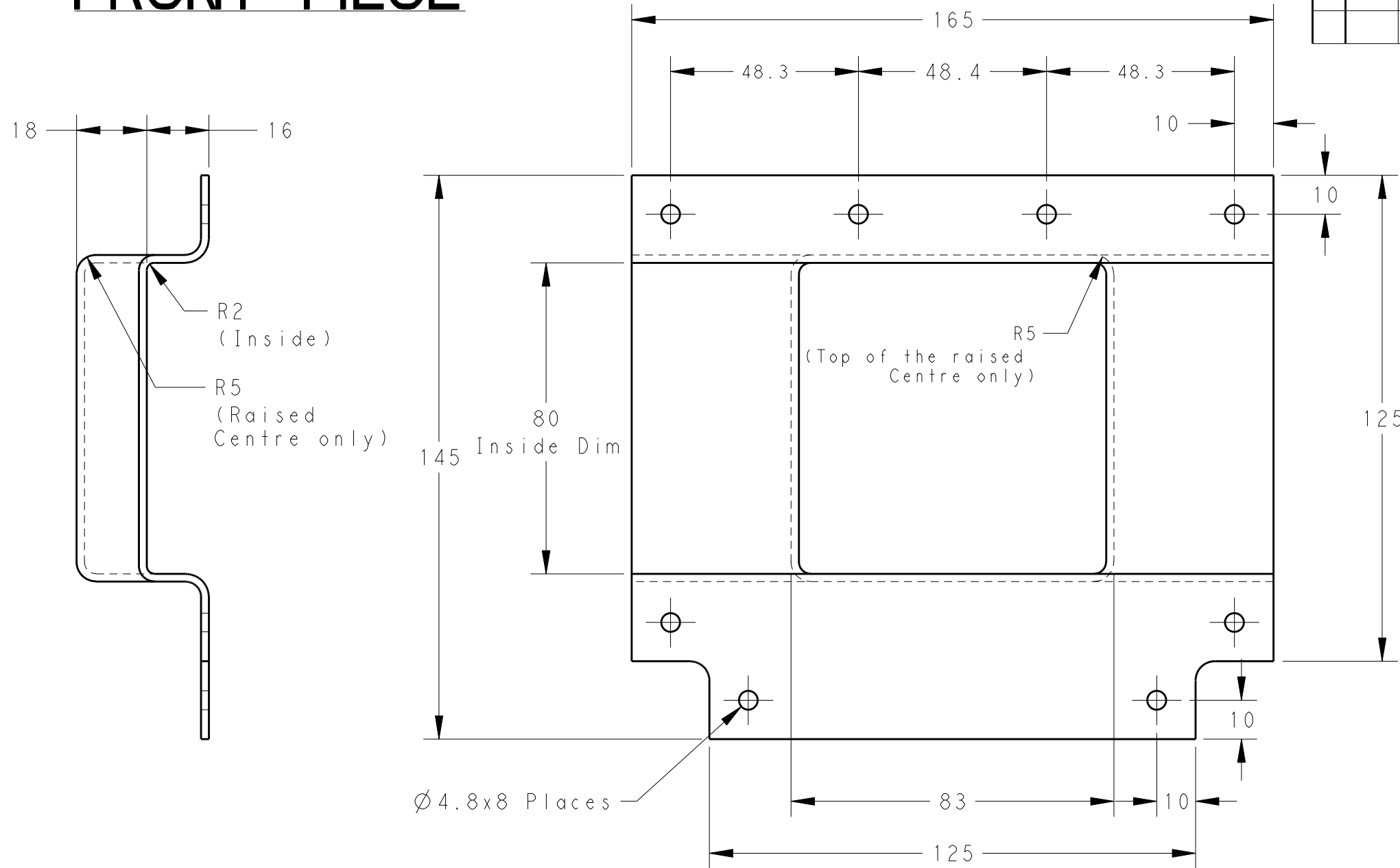
DIST - -

REVISIONS

© COPYRIGHT 20 BY TYCO ELECTRONICS CORPORATION ALL RIGHTS RESERVED.

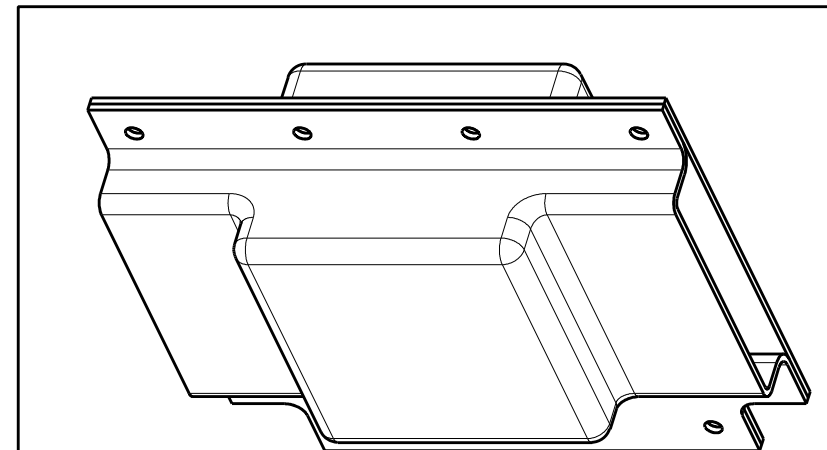
P	LTR	DESCRIPTION	DATE	DWN	APVD
	A	Hole Size Changes from 6mm to 4.8mm and Note No.3 Changes.	04SEP2012	V.P	I.B

# FRONT PIECE




SCALE 1:2

(Front Piece for external reference only)



SCALE 1:2

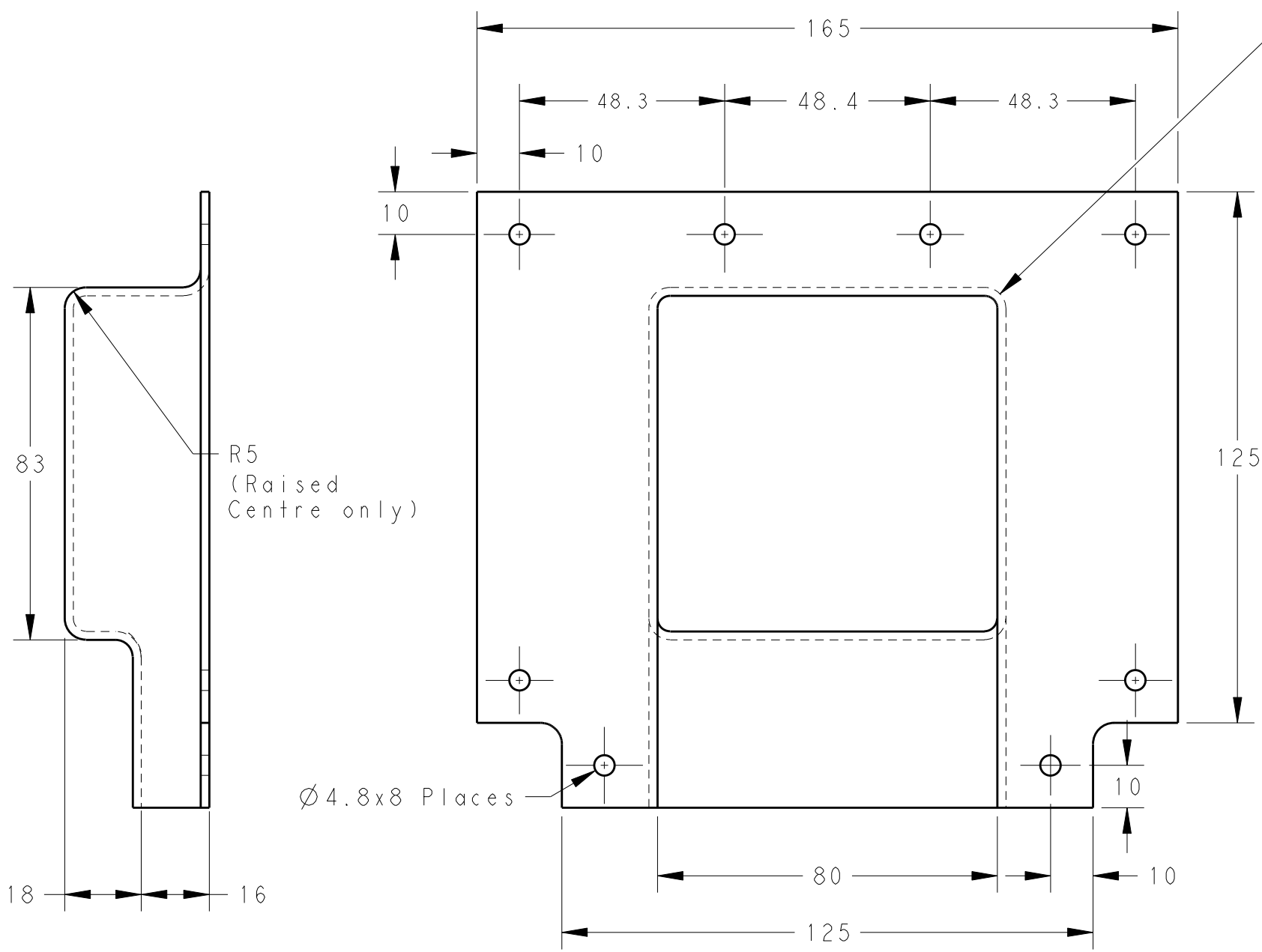
(Assy. view for external reference only)

THIS DRAWING IS A CONTROLLED DOCUMENT.		DWN Vishnu 04JUL2012	 TE Connectivity		
DIMENSIONS: mm		CHK I.Bond 04JUL2012			
TOLERANCES UNLESS OTHERWISE SPECIFIED:		APVD I.Bond 04JUL2012	NAME BMOD-LV-075-T11-00(B12)		
<del>           5 PLC ±            1 PLC ±0.5            2 PLC ±0.13            3 PLC ±0.013            4 PLC ±0.0001            ANGLES ±         </del>		PRODUCT SPEC -	RESTRICTED TO -		
MATERIAL -		APPLICATION SPEC -	SIZE A3	CAGE CODE 00779	DRAWING NO C-4-1899738-5
FINISH -		WEIGHT -	SCALE 3:4 SHEET 1 OF 2 REV A		
CUSTOMER DRAWING					

THIS DRAWING IS UNPUBLISHED. RELEASED FOR PUBLICATION 20  
 © COPYRIGHT 20 BY TYCO ELECTRONICS CORPORATION ALL RIGHTS RESERVED.

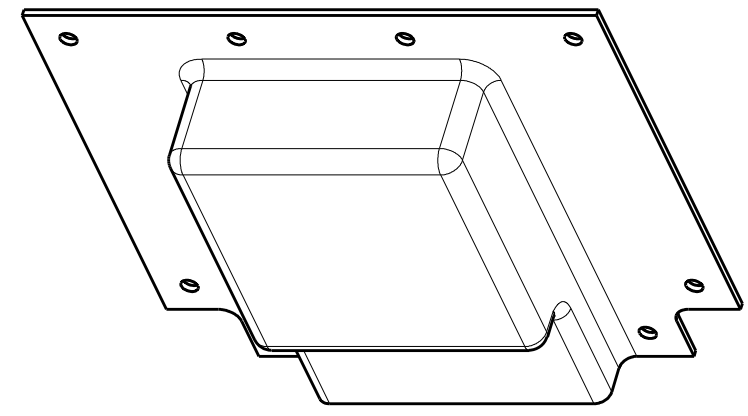
LOC	DIST	REVISIONS			
P	LTR	DESCRIPTION	DATE	DWN	APVD
-	-	SEE SHEET 1	-	-	-

# BACK PIECE



## NOTES:

1. Parts shall be kitted 24pcs per box, 12 pairs of covers
2. Parts shall be supplied in the open position
3. Parts shall be kitted with 8 x LVIC-RIV-TS555 PCN: 319851-000, or with Raysulate equivalent part, per pair of covers.
4. Parts shall be kitted with Installation Instruction: ESD-6064-6/12



SCALE 1:2

(Back Piece for external reference only)

THIS DRAWING IS A CONTROLLED DOCUMENT.		DWN Vishnu 04JUL2012	TE Connectivity		
DIMENSIONS: mm		CHK I. Bond 04JUL2012			
TOLERANCES UNLESS OTHERWISE SPECIFIED:		APVD I. Bond 04JUL2012	NAME BMOD-LV-075-T11-00(B12)		
0 PLC ±0.5 1 PLC ±0.5 2 PLC ±0.13 3 PLC ±0.013 4 PLC ±0.0001 ANGLES ±		PRODUCT SPEC -	RESTRICTED TO -		
MATERIAL -		APPLICATION SPEC -	SIZE A3	CAGE CODE 00779	DRAWING NO C-4-1899738-5
FINISH -		WEIGHT -	CUSTOMER DRAWING		
		SCALE 3:4	SHEET 2 OF 2	REV A	