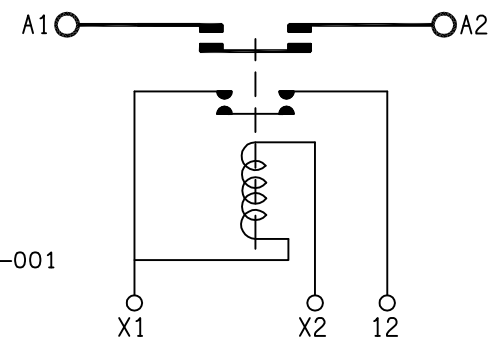


- 3/8-24 CLASS UNF-2A STUD, 2 STUDS
50407164, 2 REQ'D
AN3458616 SUITABLE SUB
51807-084, 2 REQ'D
AN9358616
51704-024, 2 REQ'D
WASHER-5/8 X 25/64 X .062 BRASS
- 10-32 CLASS NF-2A STUD, 3 STUDS
50410084, 3 REQ'D
AN345810
51810054, 3 REQ'D
AN935810
51702-844, 3 REQ'D
WASHER-3/8 X 13/64 X .032 BRASS

REVISIONS		RELEASED	
REV	DESCRIPTION	DATE	APPROVED
A	-	INTERMITTENT DUTY WAS CONTINUOUS IN ERROR	59/04/07 VB
B	-	HARDWARE & TERM. HEIGHT DIMS. REWORKED	60/02/02 VB
C	-	REVISED WEIGHT	63/06/28 RS
D	-	REDIMENSION, ADDED NEW P/N	63/11/11 RS
E	-	P/N 14520-70 ADDED	63/12/12 RS
F	-	HDWR NO. 8 NAME PLATE ADDED	65/05/17 RS
G	4686	ADDED P/N 51704-024 AND 51702-844	72/06/05 RS
H	6139	ADDED MTG. HOLE NOTE	63/11/11 RS
J	18085	ADDED 3.00 DIM, REMOVED 2.09 DIM	86/04/18 RS
K	05-8109	REDRAWN; REMOVED IN-ACTIVE UNIT	05/08/24 CB
L	06-008195	ADDED MAX TO 3.00 DIM	06/02/27 CB
M	06-008195	MARKUP INCORRECT IN DM. TEC	06/02/27 CB
N	12-000681	51807-084 WAS 51704-084	11/12/08 CB



MAXIMUM OPERATING VOLTAGE	29 VOLTS
PICKUP VOLTAGE (MAX) HOT	8 VOLTS
DROPOUT VOLTAGE (MAX) HOT	3.5 ⁺⁰ ₋₃
RATED CONTACT LOAD	300A
COIL CURRENT @	
MINIMUM OPERATING PERIOD	3 MINUTES
MINIMUM OPERATING CYCLES	50.000
MAXIMUM WEIGHT	1LB. 14OZ.
RATED DUTY	INTERMITTENT
AUXILIARY CONTACT	10A 28VDC

φ. 266^{+0.010}_{-0.000} HOLE
2 MTG. HOLES

FOR ELECTRICAL BONDING EXPOSE BARE METAL BY SANDING BOTTOM OF BOTH MOUNTING SURFACES AND SPOT - FACING TOP OF MOUNTING HOLES 7/16 DIA.

NOTE:
TOLERANCE ON ALL TERMINAL LENGTHS TO BE ±.06

UNLESS OTHERWISE SPECIFIED DIMENSIONS ARE IN INCHES TOLERANCES ON			 Hartman Division 175 N. DIAMOND STREET MANSFIELD, OHIO 44902			
2 PL DEC.	3 PL DEC.	ANGLES				
±.03	±.010	± 1°	DR BY	R0	59/03/21	CONTACTOR-INTERMITTENT DUTY 300 AMP, 28 VOLTS 093
MATERIAL			CHK BY	VB	59/03/21	
			ENGR	RSS	05/08/24	
			MFG	DW	05/08/24	
			SIZE	CODE IDENT		DWG NO.
			C	74063		A-770Q
			SCALE	1/1	SHEET	REF TE P/N 4-1616931-0