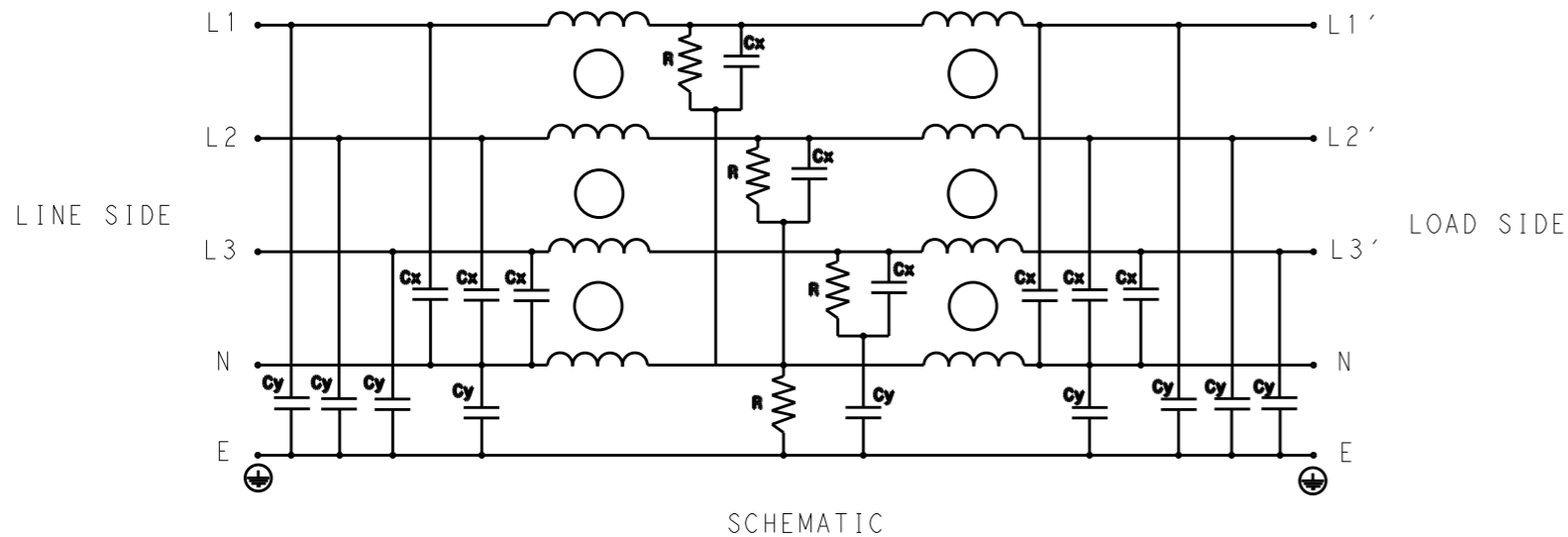


REVISIONS

P	LTR	DESCRIPTION	DATE	DWN	APVD
	B	INITIAL RELEASE	08JUL2020	SB	LI



SAFETY ORGANIZATIONS

THIS FILTER WILL BE FORMALLY RECOGNIZED, CERTIFIED OR APPROVED BY THE LISTED AGENCY. THEREFORE, ALL TEST/REQUIREMENTS SPECIFIED IN THE LATEST REVISION OF THE FOLLOWING AGENCY STANDARDS WILL BE MET:

UL RECOGNIZED* 10A 520V 50Hz/60Hz 50°C
 CSA CERTIFIED** 10A 520V 50Hz/60Hz 50°C
 *31 JULY 2020 ; **31 AUGUST 2020

OPERATING SPECIFICATION

LINE CURRENT/VOLTAGE: 10A, 520VAC
LINE FREQUENCY: 50/60Hz

MAXIMUM LEAKAGE CURRENT: 10mA @ 230VAC, 50Hz

OPERATING AMBIENT TEMPERATURE RANGE @ RATED CURRENT: -10°C TO +50°C

IN AN AMBIENT, T_a, HIGHER THAN 50°C, THE MAXIMUM OPERATING CURRENT, I_o, IS AS FOLLOWS:

$$I_o = I_r \sqrt{\frac{105 - T_a}{55}}$$

RELIABILITY SPECIFICATIONS

STORAGE TEMPERATURE: -40°C TO +85°C
HUMIDITY: 21 DAYS @ 40°C AND 95% RH

TEST SPECIFICATIONS

INDUCTANCE, NOMINAL: 15mH

CAPACITANCE @ 1kHz

LINE TO GROUND, NOMINAL: 1.61µF
NEUTRAL TO GROUND, NOMINAL: 3.3µF
LINE TO NEUTRAL, NOMINAL: 3µF

DISCHARGE RESISTOR

L/L I.R. 2MΩ 1W
 L/N I.R. 1MΩ 1W
 L/G I.R. 2MΩ 1W
 N/G I.R. 1MΩ 1W
 IR (NO DISCHARGE RESISTOR) 20°C, 50% RH AND 100VDC, MIN: 6MΩ

RECOMMENDED RECEIVING INSPECITON HIPOT

LINE TO GROUND FOR 1 MINUTE: 2856VDC
LINE TO LINE FOR 1 MINUTE: 2236VDC
LINE TO NEUTRAL FOR 1 MINUTE: 1290VDC

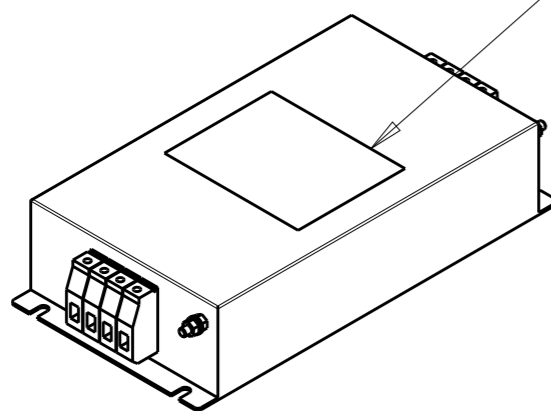
FILTER APPROVAL

THE BEST WAY TO SELECT AND QUALIFY A FILTER IS FOR YOUR ENGINEERING TO TEST THE UNIT IN YOUR EQUIPMENT.

TYPICAL INSERTION LOSS
COMMON MODE 50/50Ω; DIFFERENTIAL MODE 50/50Ω

MHz	0.01	0.05	0.15	0.5	1	3	5	10	30
CM	55	55	58	54	49	41	36	31	20
DM	37	38	44	52	48	41	33	29	22

LABEL TO TE MARKING SPECIFICATION



THIS DRAWING IS A CONTROLLED DOCUMENT.		DWN	24FEB2020		TE TE Connectivity
		CHK	24FEB2020		
		APVD	24FEB2020		
		NAME	LEO IRUDHAYARAJ		
DIMENSIONS: mm		TOLERANCES UNLESS OTHERWISE SPECIFIED:		POWER LINE FILTER 10KEVD10BFPW	
		0 PLC ±-		PRODUCT SPEC	
		1 PLC ±0.5		-	
MATERIAL		2 PLC ±0.40		APPLICATION SPEC	
		3 PLC ±0.130		-	
FINISH		4 PLC ±0.0500		WEIGHT	
		ANGLES ±-		-	
-		-		SIZE	
-		-		CAGE CODE	
		CUSTOMER DRAWING		DRAWING NO	
				RESTRICTED TO	
				SCALE	
				SHEET	
				OF	
				REV	
				B	

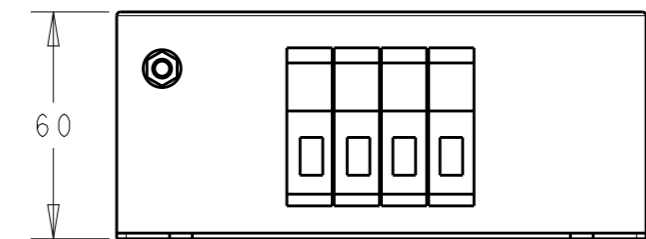
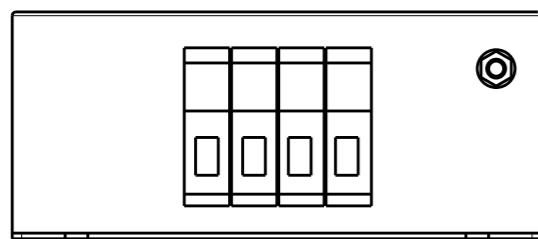
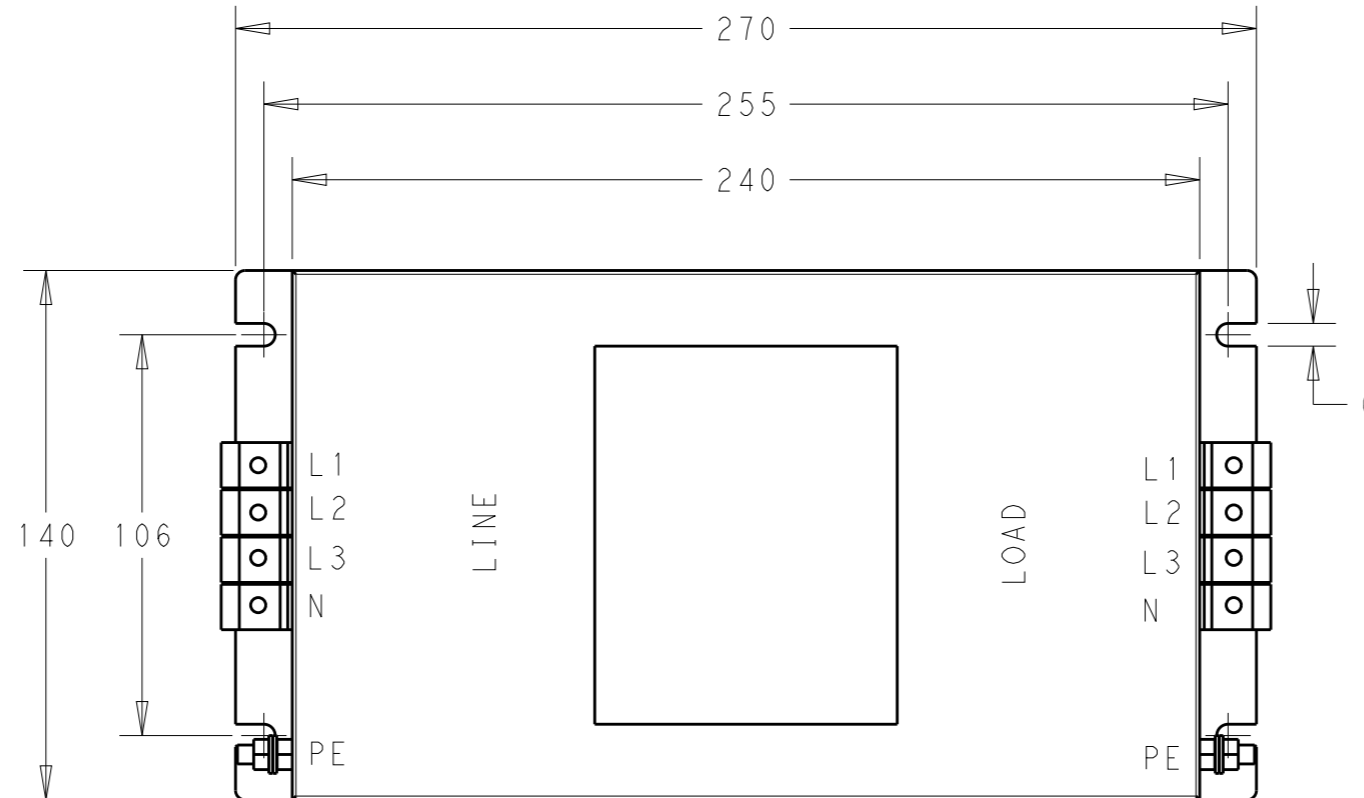
© 2020 TE Connectivity. All Rights Reserved.

REVISIONS

NOTE 1 GROUND CONNECTION:
 DO NOT LOOSEN INNER GROUND NUTS.
 TORQUE OUTER TERMINAL SCREWS: 0.5Nm / 4.5 in.lbs
 TORQUE GROUND NUTS: 2Nm

NOTE 2 INPUT OUTPUT CONNECTION TERMINAL
 AWG SIZE: 26-12 AWG
 WIRE SECTION: 4 mm²
 THREADED BOLT SIZE FOR GROUND: M5

P	LTR	DESCRIPTION	DATE	DWN	APVD
		SEE SHEET 1			



THIS DRAWING IS A CONTROLLED DOCUMENT.		DWN 24FEB2020 SHRICHARANA B														
DIMENSIONS: mm		CHK 24FEB2020 LEO IRUDHAYARAJ														
TOLERANCES UNLESS OTHERWISE SPECIFIED:		APVD 24FEB2020 LEO IRUDHAYARAJ	NAME POWER LINE FILTER 10KEVD10BFPW													
<table border="1"> <tr><td>0 PLC</td><td>±-</td></tr> <tr><td>1 PLC</td><td>±0.5</td></tr> <tr><td>2 PLC</td><td>±0.40</td></tr> <tr><td>3 PLC</td><td>±0.130</td></tr> <tr><td>4 PLC</td><td>±0.0500</td></tr> <tr><td>ANGLES</td><td>±-</td></tr> </table>		0 PLC	±-	1 PLC	±0.5	2 PLC	±0.40	3 PLC	±0.130	4 PLC	±0.0500	ANGLES	±-	PRODUCT SPEC -	SIZE A300779	
0 PLC	±-															
1 PLC	±0.5															
2 PLC	±0.40															
3 PLC	±0.130															
4 PLC	±0.0500															
ANGLES	±-															
MATERIAL -		APPLICATION SPEC -	DRAWING NO C-4-1609998-0	RESTRICTED TO -												
FINISH -		WEIGHT -	SCALE 1:2 SHEET 2 OF 2 REV B													
		CUSTOMER DRAWING														