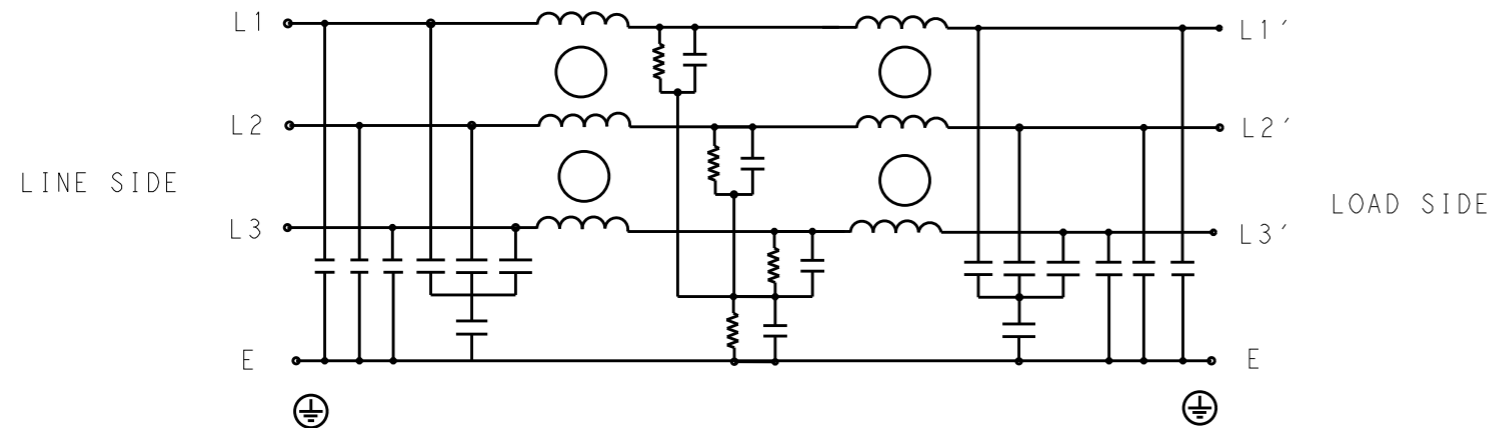


P	LTR	DESCRIPTION	DATE	DWN	APVD
	B	INITIAL RELEASE	08JUL2020	SB	LI



SCHEMATIC

TYPICAL INSERTION LOSS
COMMON MODE 50/50Ω; DIFFERENTIAL MODE 50/50Ω

MHz	0.01	0.05	0.15	0.5	1	3	5	10	30
CM	18	24	54	58	53	44	40	35	32
DM	38	41	55	51	47	40	37	30	25

SAFETY ORGANIZATIONS

THIS FILTER WILL BE FORMALLY RECOGNIZED, CERTIFIED OR APPROVED BY THE LISTED AGENCY. THEREFORE, ALL TEST/REQUIREMENTS SPECIFIED IN THE LATEST REVISION OF THE FOLLOWING AGENCY STANDARDS WILL BE MET:

UL RECOGNIZED* 150A 520V 50Hz/60Hz 40°C
 CSA CERTIFIED** 150A 520V 50Hz/60Hz 40°C

* 31 JULY 2020 ; ** 31 AUGUST 2020

OPERATING SPECIFICATION

LINE CURRENT/VOLTAGE: 150A, 520VAC
 LINE FREQUENCY: 50/60Hz

MAXIMUM LEAKAGE CURRENT: 20mA @ 230VAC, 50Hz

OPERATING AMBIENT TEMPERATURE RANGE @ RATED CURRENT: -25°C TO +40°C

IN AN AMBIENT, T_a, HIGHER THAN 40°C, THE MAXIMUM OPERATING CURRENT, I_o, IS AS FOLLOWS:

$$I_o = I_r \sqrt{\frac{85 - T_a}{45}}$$

RELIABILITY SPECIFICATIONS

STORAGE TEMPERATURE: -40°C TO +85°C
 HUMIDITY: 21 DAYS @ 40°C AND 95% RH

TEST SPECIFICATIONS

INDUCTANCE, NOMINAL: 0.2mH

CAPACITANCE @ 1kHz
 LINE TO GROUND, NOMINAL: 2.98μF
 LINE TO LINE, NOMINAL: 10.2μF

DISCHARGE RESISTOR

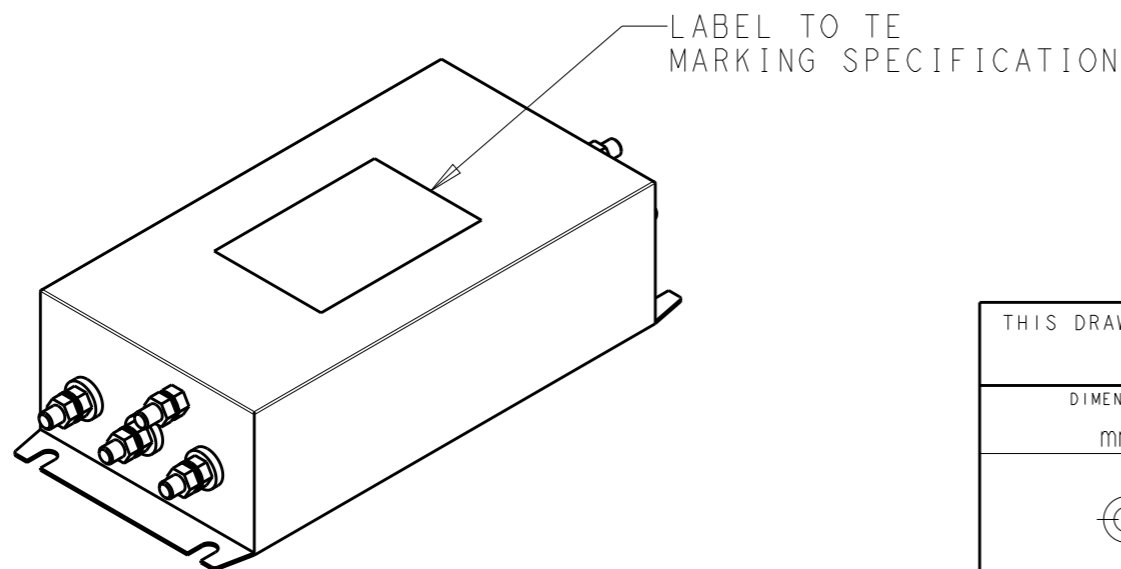
L/L I.R. 1MΩ 2W
 L/N I.R. XXX
 L/G I.R. 1MΩ 2W
 N/G I.R. XXX
 IR (NO DISCHARGE RESISTOR) 20°C, 50% RH AND 100VDC, MIN: 6MΩ


RECOMMENDED RECEIVING INSPECTION HIPOT

LINE TO GROUND FOR 1 MINUTE: 2856VDC
 LINE TO LINE FOR 1 MINUTE: 2236VDC

FILTER APPROVAL

THE BEST WAY TO SELECT AND QUALIFY A FILTER IS FOR YOUR ENGINEERING TO TEST THE UNIT IN YOUR EQUIPMENT.



THIS DRAWING IS A CONTROLLED DOCUMENT.		DWN 27FEB2020 SHRICARANA B	 TE Connectivity		
DIMENSIONS: mm		CHK 27FEB2020 LEO IRUDHAYARAJ			NAME POWER LINE FILTER 150KEHD6BFPD
TOLERANCES UNLESS OTHERWISE SPECIFIED:		APVD 27FEB2020 LEO IRUDHAYARAJ			
0 PLC ±- 1 PLC ±0.5 2 PLC ±0.40 3 PLC ±0.130 4 PLC ±0.0500 ANGLES ±-		PRODUCT SPEC -			RESTRICTED TO -
MATERIAL -		FINISH -	APPLICATION SPEC -	SIZE A300779	
-		-	WEIGHT -	CAGE CODE C-4-1609969-7	
-		-	CUSTOMER DRAWING	DRAWING NO G-4-1609969-7	
-		-	SCALE 1:4	SHEET 1 OF 2	
-		-	REV B		

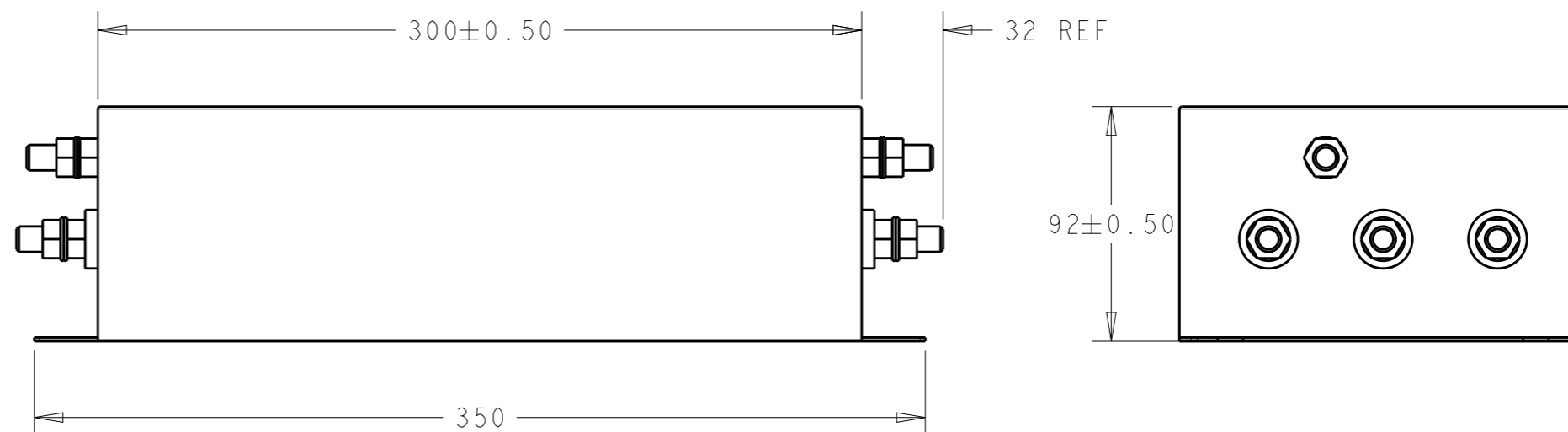
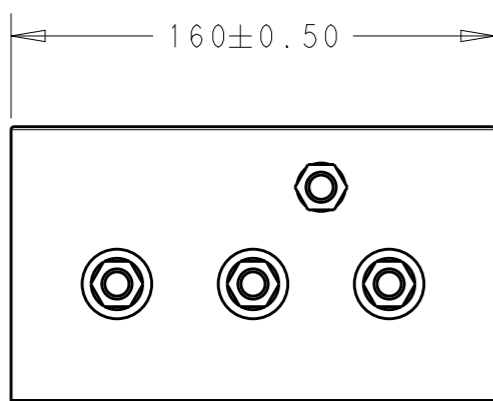
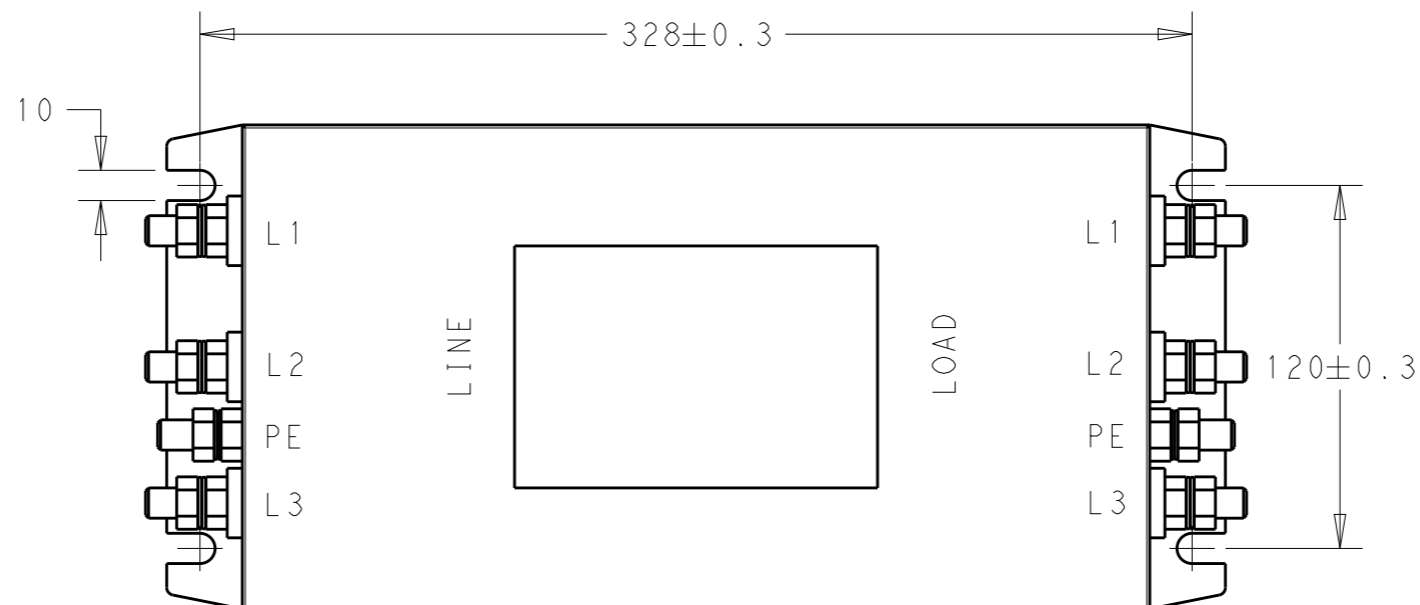
© 2020 TE Connectivity. All Rights Reserved.

REVISIONS

NOTE 1 GROUND CONNECTION:
 DO NOT LOOSEN INNER GROUND NUTS.
 TORQUE OUTER TERMINAL /GROUND NUTS: 4-10Nm

NOTE 2 INPUT OUTPUT CONNECTION TERMINAL
 AWG SIZE: XXX
 THREADED BOLT SIZE FOR TERMINAL: M10
 THREADED BOLT SIZE FOR GROUND: M10

P	LTR	DESCRIPTION	DATE	DWN	APVD
		SEE SHEET 1			



THIS DRAWING IS A CONTROLLED DOCUMENT.		DWN	27FEB2020		TE Connectivity
		CHK	27FEB2020		
		APVD	27FEB2020		
		PRODUCT SPEC			
DIMENSIONS:		TOLERANCES UNLESS OTHERWISE SPECIFIED:		NAME	
mm				POWER LINE FILTER	
		0 PLC ±-		150KEHD6BFPD	
		1 PLC ±0.5		SIZE	
		2 PLC ±0.40		CAGE CODE	
		3 PLC ±0.130		DRAWING NO	
		4 PLC ±0.0500		RESTRICTED TO	
		ANGLES ±-		A300779	
MATERIAL		FINISH		C-4-1609969-7	
-		-		SCALE	
-		-		2:5	
		CUSTOMER DRAWING		SHEET	
				2 OF 2	
				REV	
				B	