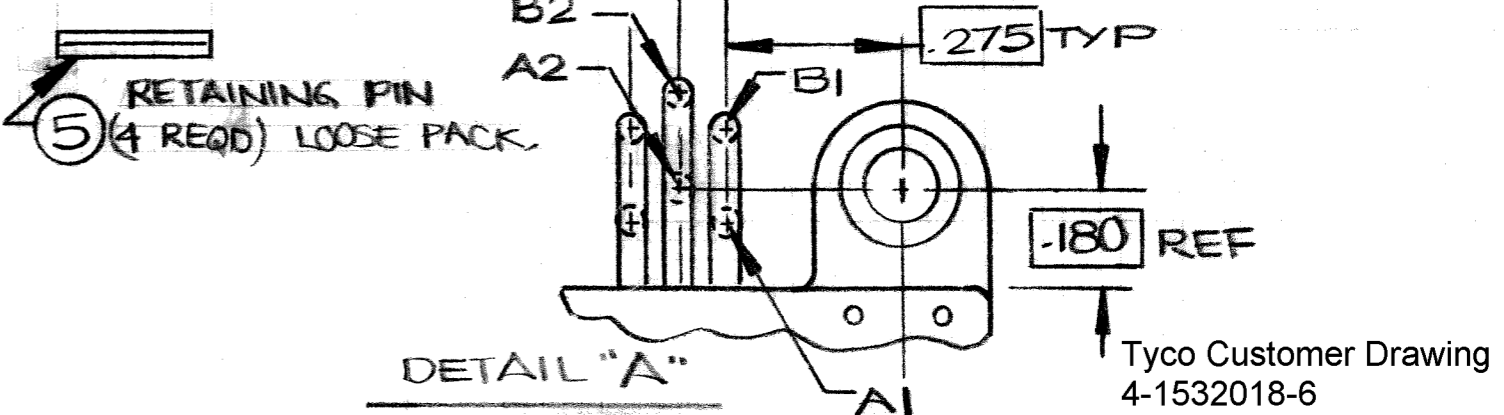
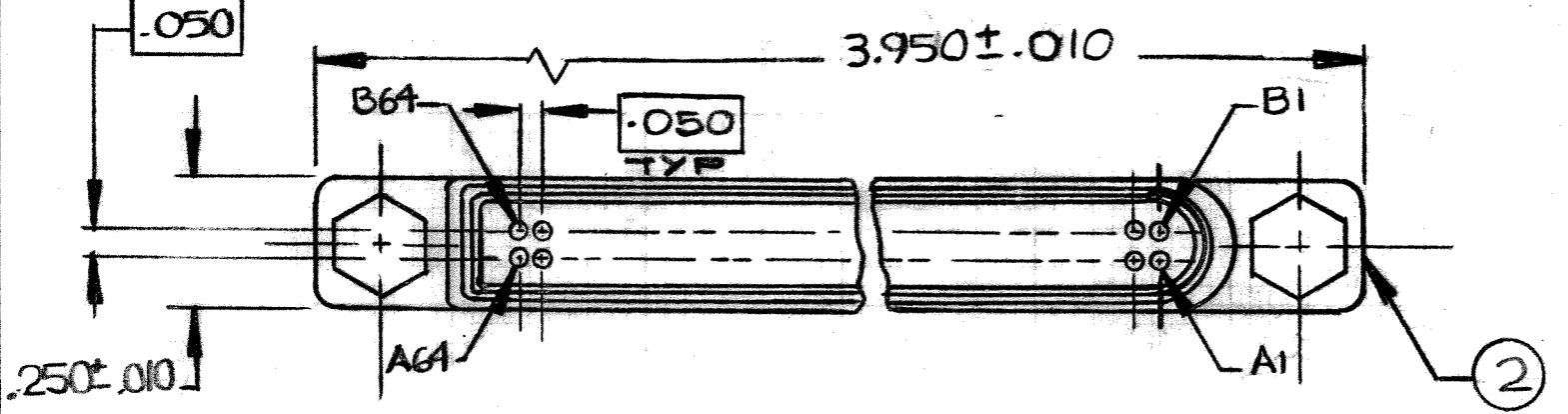
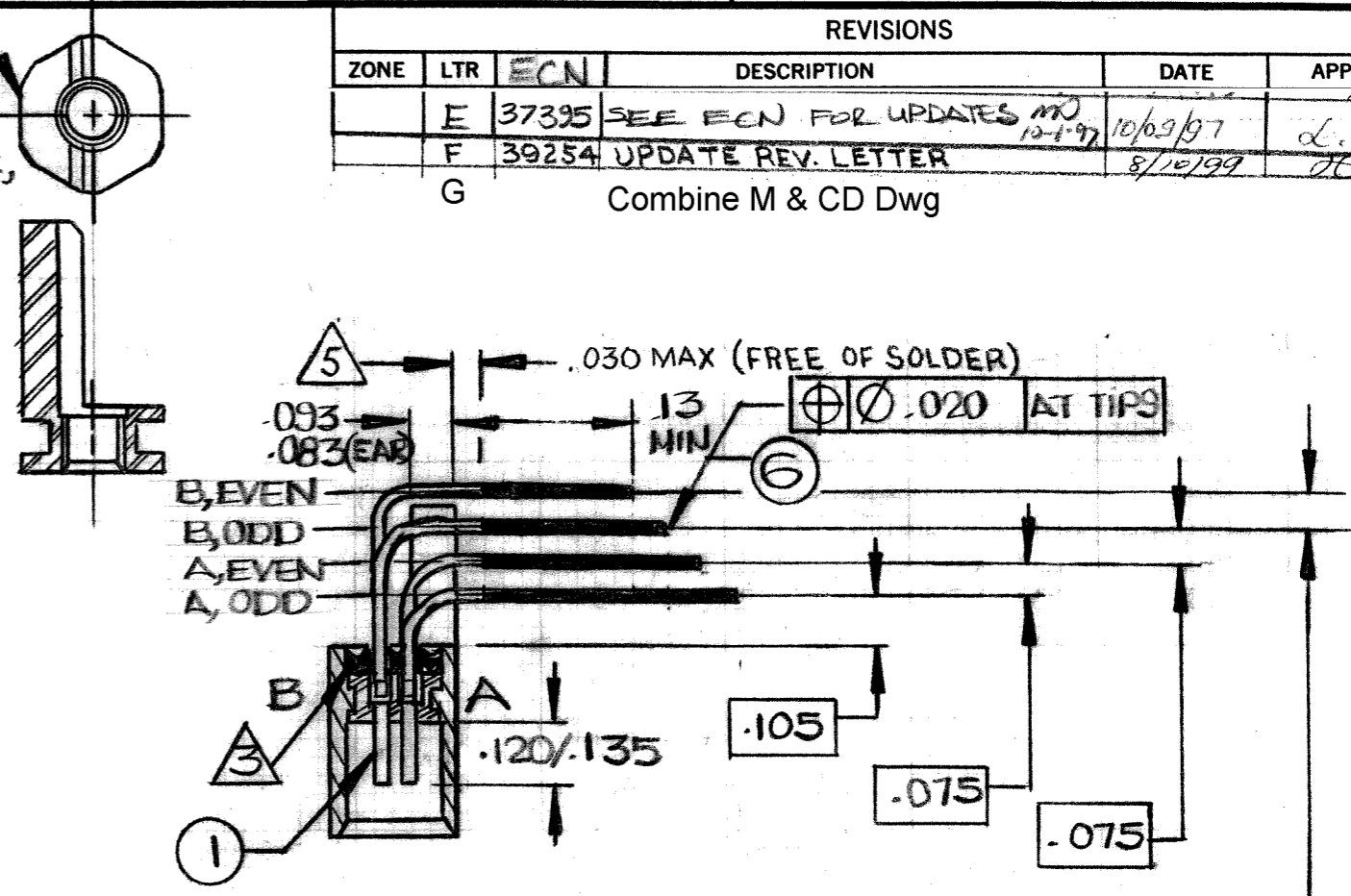
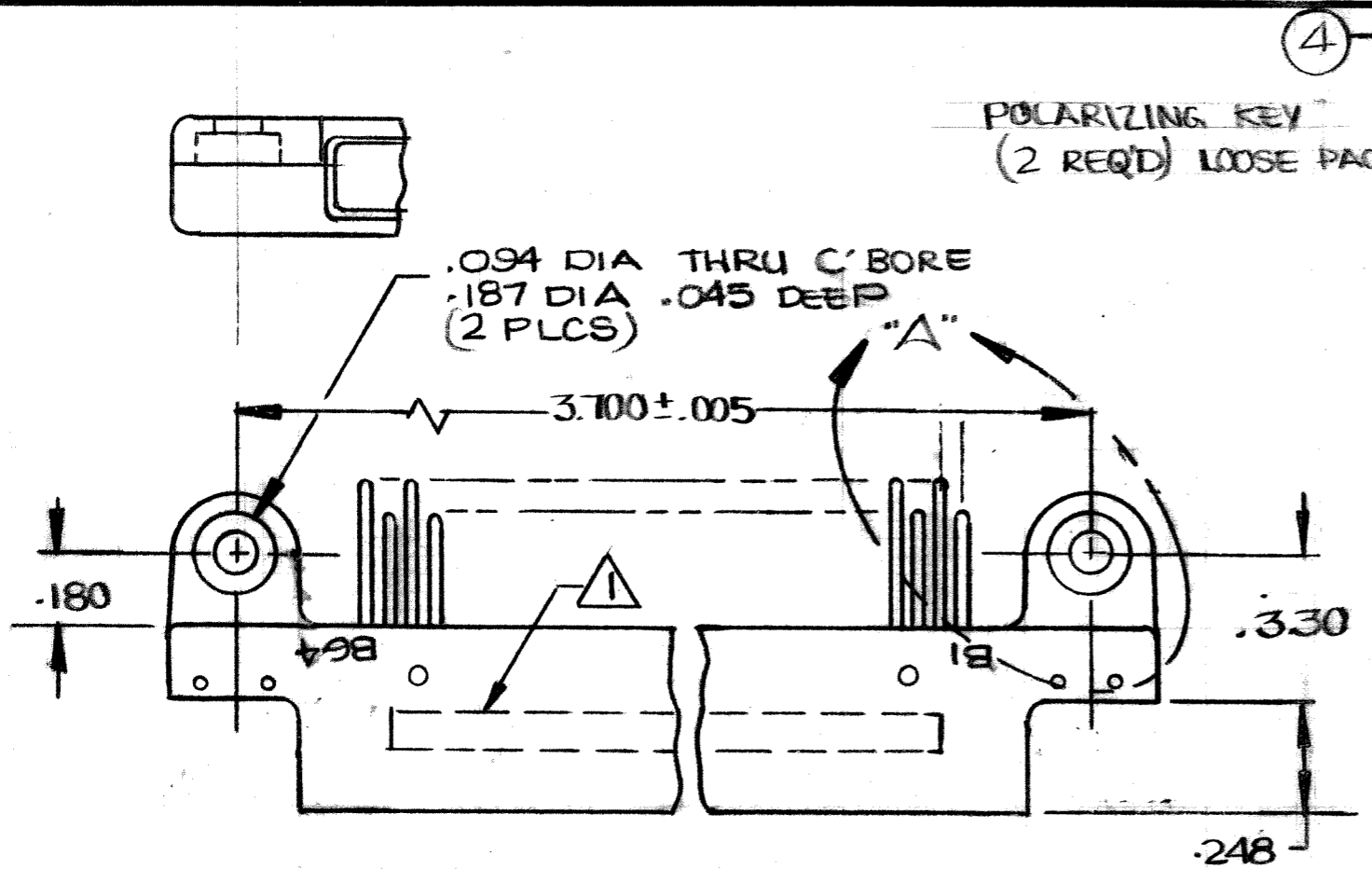


REVISIONS					
ZONE	LTR	ECN	DESCRIPTION	DATE	APPROVED
	E	37395	SEE ECN FOR UPDATES <i>MJ</i>	10/09/97	<i>L.G.</i>
	F	39254	UPDATE REV. LETTER	8/10/99	<i>JL</i>
	G		Combine M & CD Dwg		



NOTES:

1. MARKING PER T15.

2. FORM TERMINAL WIRES AS SHOWN. NO SCRATCHES EXPOSING BASE METAL ALLOWED

3. EPOXY AS SHOWN USING POTTING COMPOUND 194-8102-6215/6225.

4. DELETED

5. TERMINALS ARE TO BE SOLDER COATED .003 MAX (PER SIDE) IN LOC. SHOWN. SOLDER TO BE PER QQ-S-571 TYPE SN63 FLUX PER MIL-F-14256 TYPE A PER MPI-105

6. CRIMP WIRES TO LEADS PER MEP-302-05

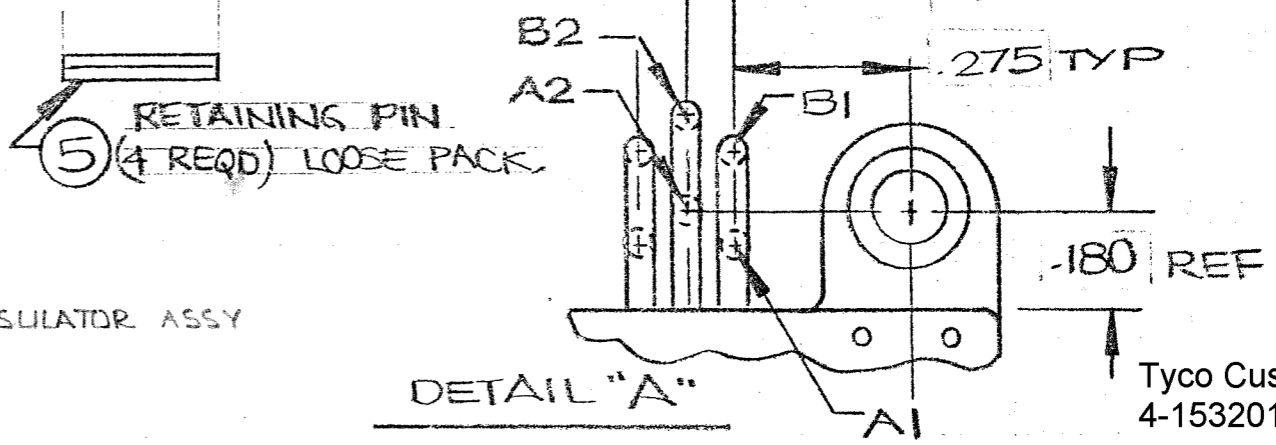
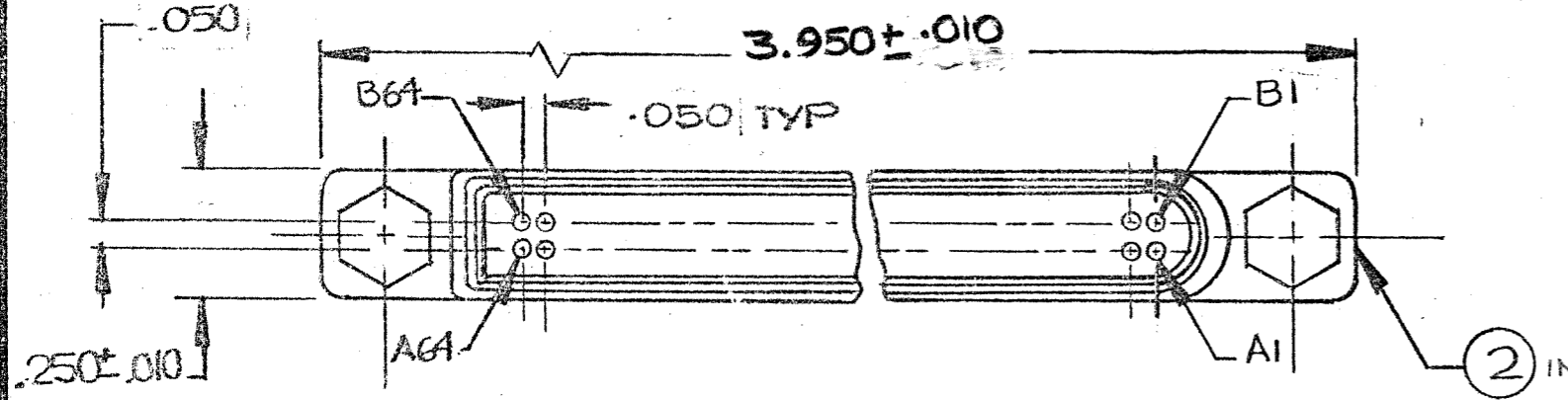
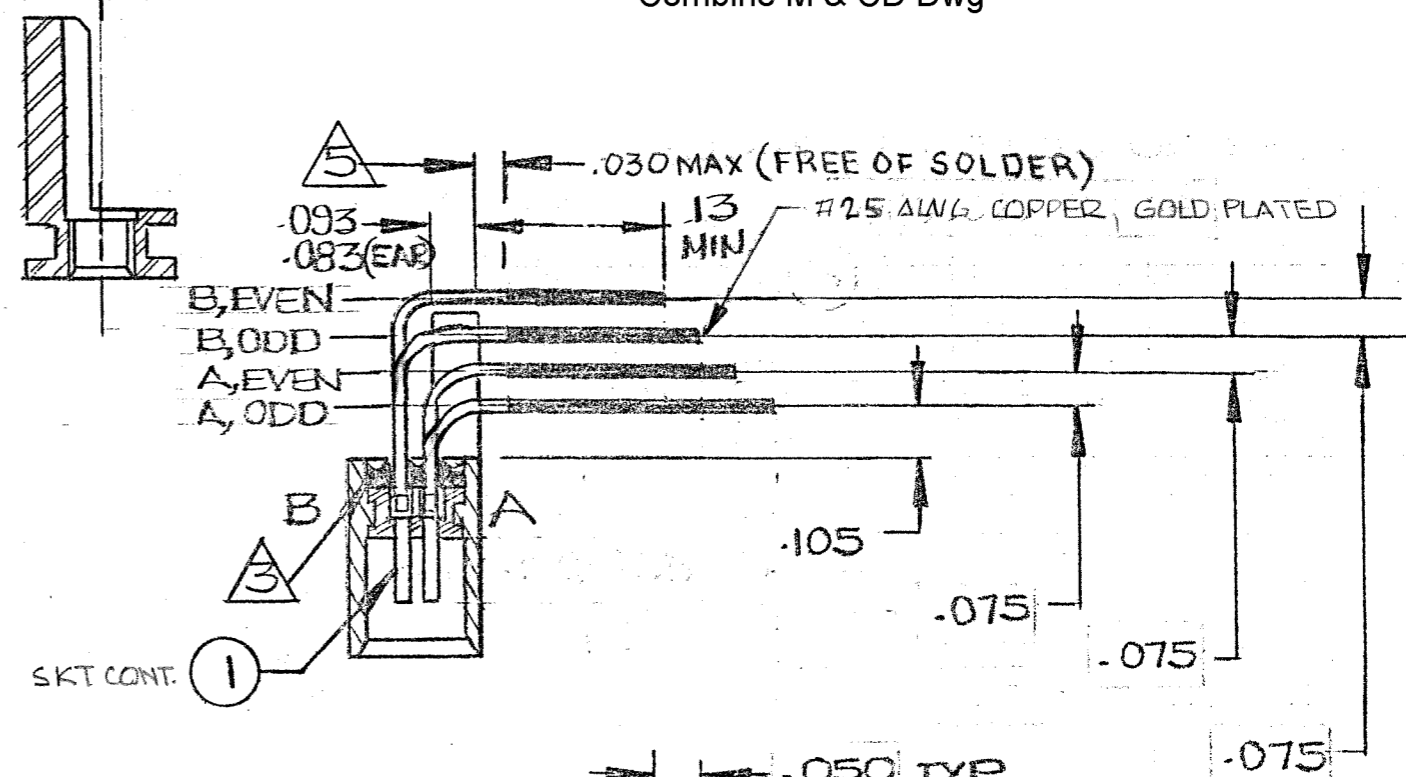
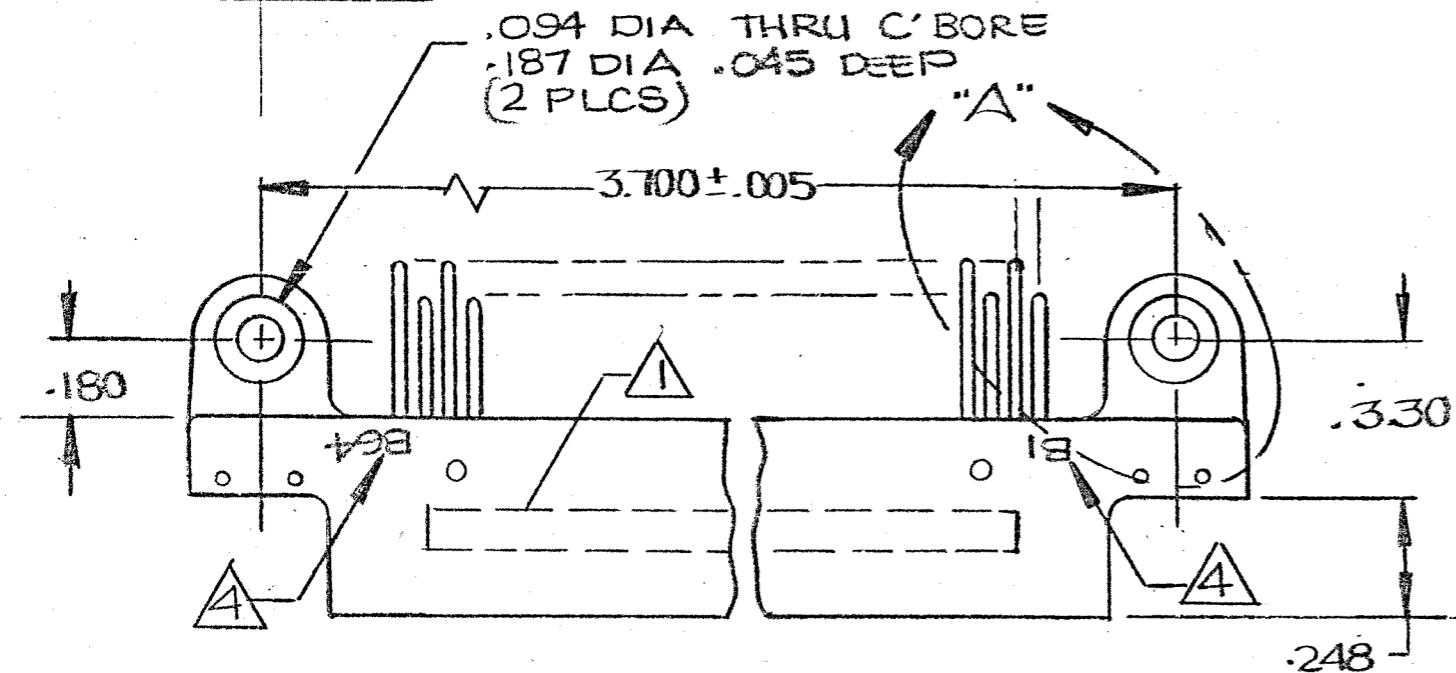
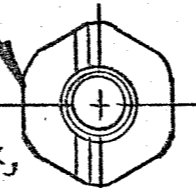
QTY.	PT. NO.	DESCRIPTION	ITEM NO.
PARTS LIST			
UNLESS OTHERWISE SPECIFIED DIMENSIONS ARE IN INCHES TOLERANCES ARE:		CONTRACT NO.	
FRACTIONS DECIMALS ANGLES		APPROVALS DATE	
± .XX ± ±		DRAWN <i>Murray</i> 89/10/3	
± .XXX ±		CHECKED <i>SHIMAWA</i> 10-4-89	
MATERIAL		PR. ENG. 10-4-89	
FINISH		APPROVED	
NEXT ASSY		APPROVED	
USED ON		APPROVED	
APPLICATION		APPROVED	
DO NOT SCALE DRAWING		APPROVED	

MALCO A MICRODOT COMPANY, INC. 220 PASADENA AVE., SO. PASADENA, CALIF. 91030		PROD. CODE 844
CONN. RECEPT. MCEMI-128SRA		CODE M
SIZE B	CODE IDENT NO. 98278	DRAWING NO. 095-0088-716
SCALE	SHEET	OF

REVISIONS

ZONE	LTR	CN	DESCRIPTION	DATE	APPROVED
	E	37395	SEE ECN FOR UPDATES ^{MD} 10-4-97	10/09/97	L.G.
	F	39254	UPDATE REV. LETTER	8/10/99	JEL
G Combine M & CD Dwg					

POLARIZING KEY
(2 REQ'D) LOOSE PACK,



Tyco Customer Drawing
4-1532018-6

NOTES:

- 1 MARK PER MEP 203-12.
- 2 FORM TERMINAL WIRES AS SHOWN. NO SCRATCHES EXPOSING BASE METAL ALLOWED
- 3 EPOXY.
- 4 MARK CAVITY NUMBERS ADJACENT TO RESPECTIVE END CAVITIES USING .046 MIN HIGH CHARACTERS.
- 5 TERMINALS ARE TO BE SOLDER COATED

QTY.	PT. NO.	DESCRIPTION	ITEM NO.
PARTS LIST			
UNLESS OTHERWISE SPECIFIED DIMENSIONS ARE IN INCHES TOLERANCES ARE: FRACTIONS DECIMALS ANGLES ± .XX ± ± ± .XXX ± ±		CONTRACT NO.	
MATERIAL		APPROVALS	DATE
FINISH		CHECKED	DATE
NEXT ASSY		PR. ENG.	DATE
USED ON		APPROVED	
APPLICATION		These drawings and specifications are the property of Microdot Inc., are issued in strict confidence and shall not be divulged, be reproduced or copied, or used as the basis for the manufacture or sale of any article without written permission of Microdot Inc.	
DO NOT SCALE DRAWING		SIZE	CODE IDENT NO.
		SCALE	DRAWING NO.
		SHEET 1 OF 1	

MALCO
A MICRODOT COMPANY, INC.
220 PASADENA AVE., SO. PASADENA, CALIF. 91030

CONN. RECEPT.
MCEMI-128SRA

PROD. CODE 842
CODE CD
SIZE **B** CODE IDENT NO. **98278** DRAWING NO. **095-0088-7116**