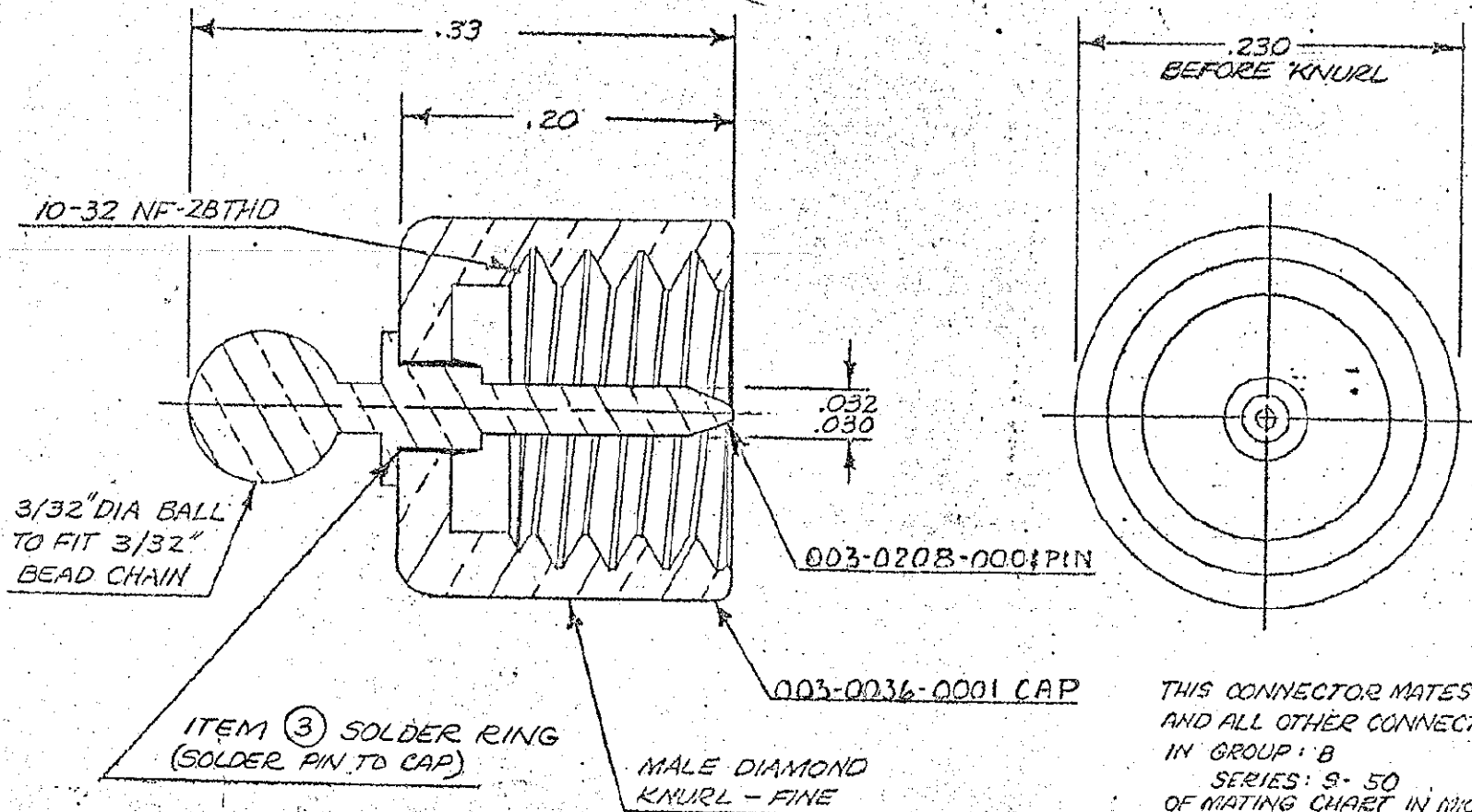


NOTES:

1. 033-0046-0001 SAME AS 33-46

CODE
CDM 033-0046-0001

M



THIS CONNECTOR MATES WITH: 91-34
AND ALL OTHER CONNECTORS LISTED
IN GROUP: B
SERIES: 9-50
OF MATING CHART IN MICRODOT CATALOG
OR BULLETIN 43.

REVISIONS

LET.	DESCRIPTION	BY	DATE	APP.
	FOR PRIOR CHANGES SEE OLD PRINTS			
L	(SOLDER CALLOUT) WAS PIN SOLDERED TO CAP (ECO 18236)	infm	7/24	Wm
M	UPDATE REV. LETTER (39341)	rv	9/10	rs

THESE DRAWINGS AND SPECIFICATIONS ARE THE PROPERTY OF MICRODOT DIVISION, FELTS CORP. ARE ISSUED IN STRICT CONFIDENCE AND SHALL NOT BE REPRODUCED OR COPIED OR USED AS THE BASIS FOR THE MANUFACTURE OR SALE OF APPARATUS WITHOUT PERMISSION.

STANDARD TOLERANCES UNLESS OTHERWISE SPECIFIED
.XXX1.010 HOLE DIA. - .002
.XXX1.008 ANGLES T.M.
ECCENTRICITY -.002 MAX. I.R.
COMMERCIAL TOLERANCES APPLY TO STOCK DIMENSIONS

MICRODOT, INC.
ENGINEERING DEPARTMENT
5000 JEFFERSON AVE., PASADENA, CALIF.

SURFACE TREATMENT
.0002-.0004 SILVER PER
QQ-S-365 TYPE II (REF)

MACHINED FINISH (R.M.S.)

MATERIAL: BRASS QQ-B-626
MIL SPEC: COMP 360

CAP
GROUNDING

SCALE: 10X

DATE: 10/12/54

PROD CODE: 931

DRAWING NUMBER: 033-0046-0001 CDM

ASSEMBLY NO. REQ. E
NEXT ASSEMBLIES