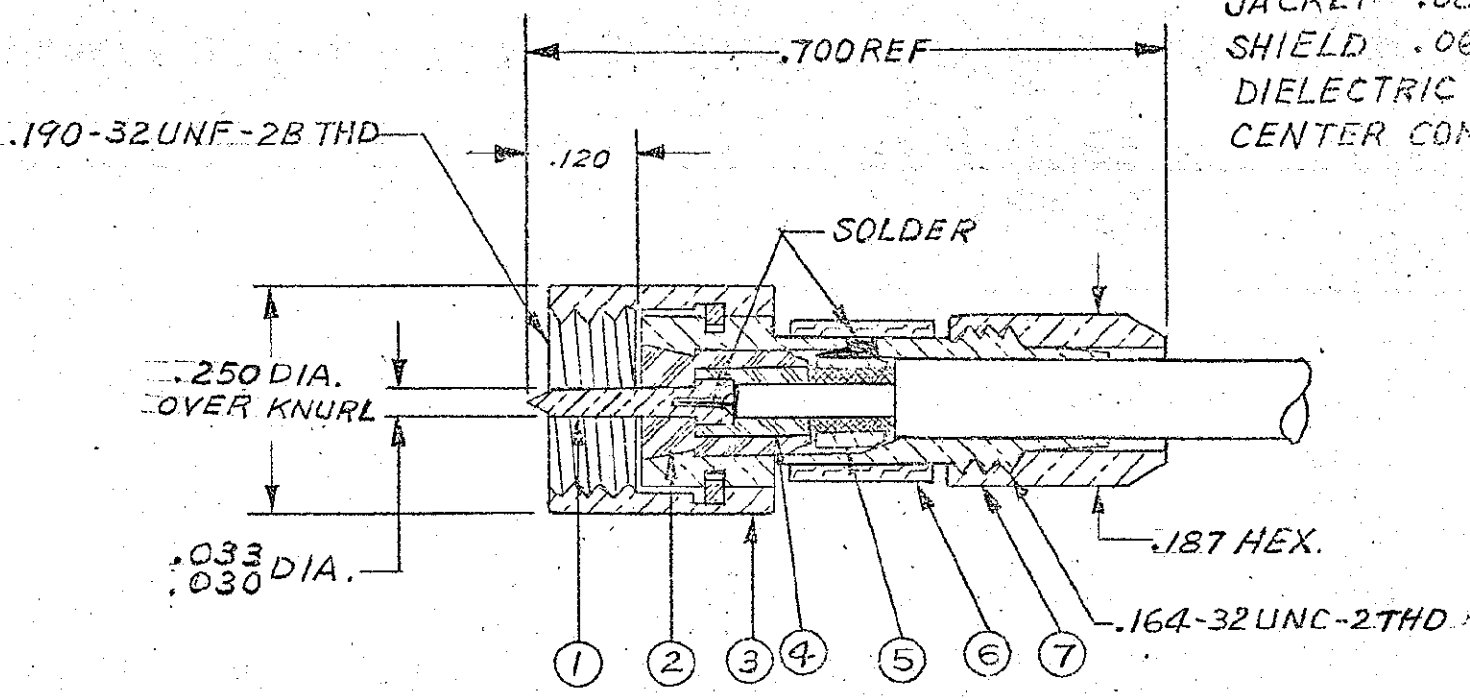


REVISIONS					
ZONE	LTR	E C N	DESCRIPTION	DATE	APPROVED
	S	23746	003-0360-0002 WAS 003-0933-0002 003-0205-0001 WAS 003-0970-0001 003-0153-0001 WAS 003-0971-0001 003-0163-0001 WAS 003-0805-0001 700 REF WAS .69 ± .04 FROM FACE OF NUT OTHER CHANGES SEE ECN	12/29/78	EM
	T	40063	UPDATE REV. LETTER	9/29/80	PS

CABLE ACCEPTANCE DIM'S
 JACKET .083 DIA. MAX.
 SHIELD .061 DIA. MAX.
 DIELECTRIC .041 DIA. MAX.
 CENTER COND. .015 DIA. MAX.



- NOTES: UNLESS OTHERWISE SPECIFIED
- THIS CONNECTOR MATES WITH ALL JACKS & RECEPTACLES IN THE S-50 SERIES AS LISTED IN MALCO CATALOG.
 - USE SPECIAL TOOL # 010-0003-0000 FOR ASSEMBLY.
 - SILVER PLATE .0002 MIN. PER QQ-S-365, TYPE II, GRADE A.
 - GOLD PLATE PER MIL-G-45204, TYPE II, GRADE C, CL. I.
 - FOR ASSY. INSTRUCTIONS. USE RF-ASMB-89. BUT PLACE RETAINING NUT ON CABLE IN PLACE OF B.R.CAP. SOLDER THE JERK RING TO FERRULE.

QTY.	FART NO.	DESCRIPTION	MATERIAL & SPEC.	ITEM NO.
1	003-0756-0001	RETAINING NUT	BRASS PER QQ-B-626	7
1	003-0826-0000	SLEEVE (BLACK)	HEAT SHRINK SLEEVE	6
1	003-0163-0001	JERK RING	BRASS PER QQ-B-626	5
1	003-0153-0001	INSULATOR	TEFLON PER L-P-403	4
1	003-0757-0001	FERRULE	BRASS PER QQ-B-626	
1	003-1081-0000	SNAP RING	BERYLL. COPPER QQ-C-530	
1	003-0804-0001	NUT	BRASS PER QQ-B-626	
1	003-0796-0001	HOUSING SUB-ASSY		3
1	003-0205-0001	INSULATOR	TEFLON PER L-P-403	2
1	003-0360-0002	PIN	BRASS PER QQ-B-626	1

UNLESS OTHERWISE SPECIFIED DIMENSIONS ARE IN INCHES TOLERANCES ARE: FRACTIONS DECIMALS ANGLES ± .XX ± .XXX ± .0/0		CONTRACT NO.		MALCO A MICRODOT COMPANY, INC. 220 PASADENA AVE., SO. PASADENA, CALIF. 91030	
MATERIAL: NOTED		APPROVALS	DATE	PRCD. CODE 931	
FINISH: NOTED		DRAWN E.H.	11/78	CODE CDM	
NEXT ASSY		CHECKED C.H.	11/14/78	PLUG	
USED ON		PR. ENG. B.H.Y.	12-20-78	SIZE B	CODE IDENT NO. 98278
APPLICATION		APPROVED		DRAWING NO. 032-0156-0001	
DO NOT SCALE DRAWING		These drawings and specifications are the property of Microdot Inc. we issued in effect on the date and shall not be printed, reproduced or copied, or used as the basis for the manufacture or sale of any article without the written permission of Microdot Inc.		SCALE 5 X	SHEET 1 OF 1

BISHOP GRAPHICS/ACCUPRESS
 REORDER NO. 2196