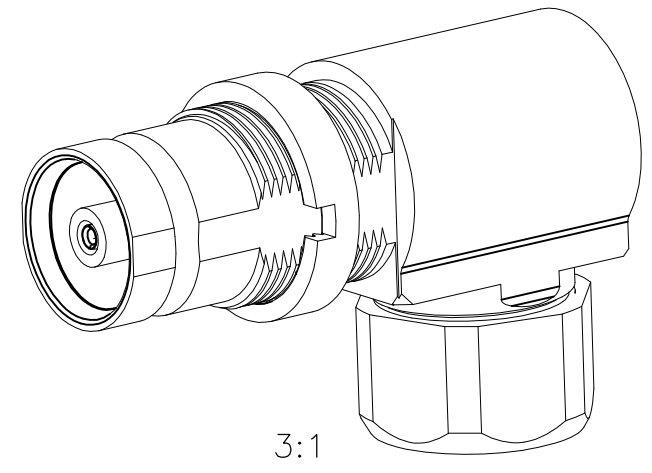
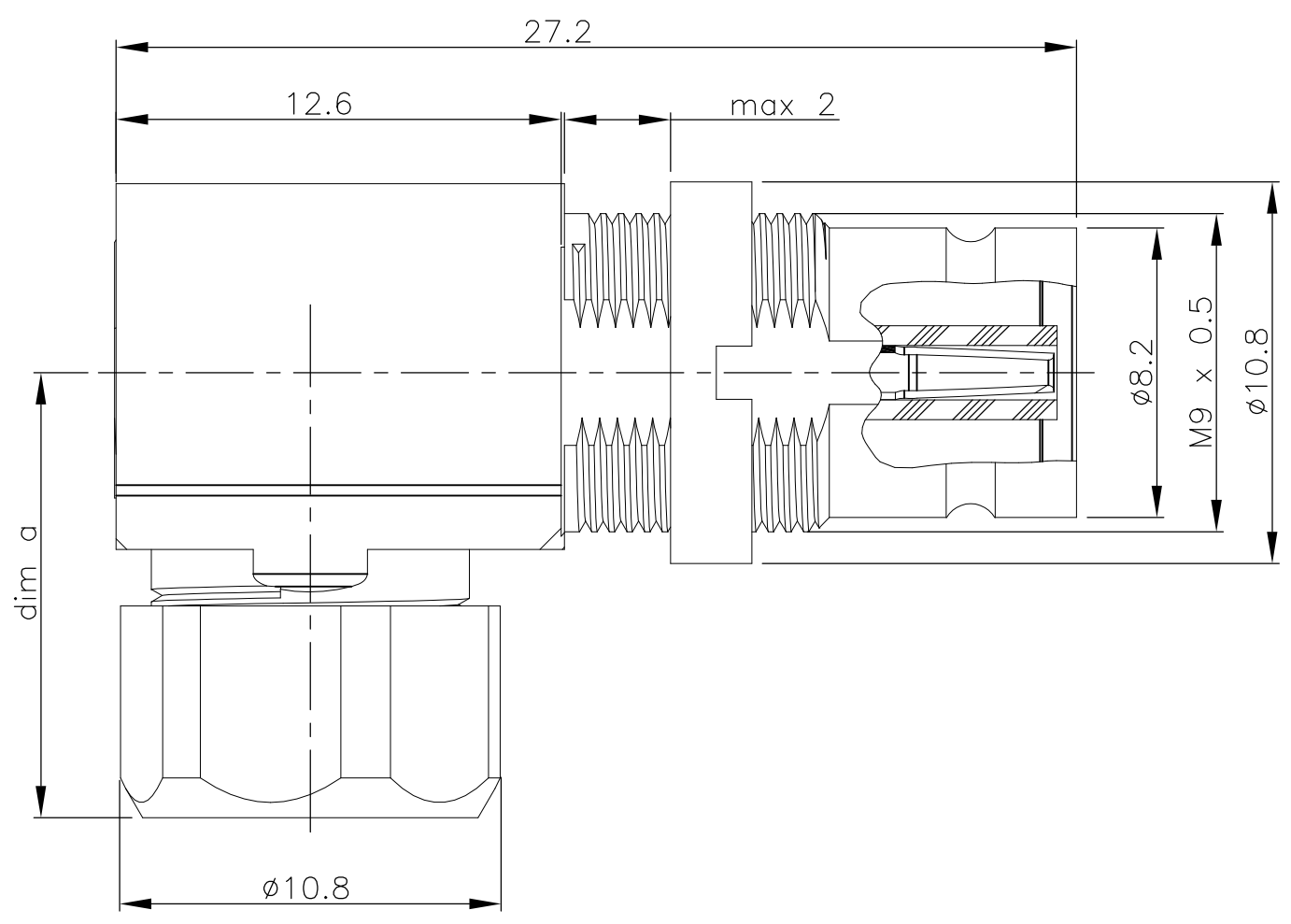
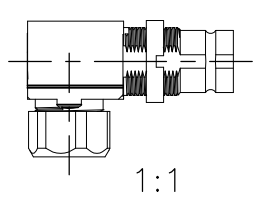


THIS DRAWING IS UNPUBLISHED. RELEASED FOR PUBLICATION
 © COPYRIGHT - By - ALL RIGHTS RESERVED.

REVISIONS					
P	LTR	DESCRIPTION	DATE	DWN	APVD
	B2	ECO-15-002118	03AUG2015	RZ	RS



- 5 OBSOLETE PARTS: OBSOLETE CIS STREAMLINING PER D.RENAUD/D.SINISI
- 4 Packed in tray
- 3. Mating face according to DIN 47295/CECC 22240.
- 2. All parts supplied as loose part.
- 1. All dimensions are maximum unless otherwise specified.


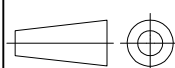


THIS DRAWING IS A CONTROLLED DOCUMENT.		DWN B.LENVAIN 26MAR2001	TE Connectivity														
DIMENSIONS: mm		CHK K. MATTHEEUWS 05APR2001															
TOLERANCES UNLESS OTHERWISE SPECIFIED:		APVD R. LEEMAN 05APR2001	NAME BULKHEAD JACK 1.6/5.6														
<table border="0"> <tr><td>0 PLC</td><td>± -</td></tr> <tr><td>1 PLC</td><td>± -</td></tr> <tr><td>2 PLC</td><td>± -</td></tr> <tr><td>3 PLC</td><td>± -</td></tr> <tr><td>4 PLC</td><td>± -</td></tr> <tr><td>ANGLES</td><td>± -</td></tr> </table>		0 PLC	± -	1 PLC	± -	2 PLC	± -	3 PLC	± -	4 PLC	± -	ANGLES	± -	PRODUCT SPEC -	RESTRICTED TO -		
0 PLC	± -																
1 PLC	± -																
2 PLC	± -																
3 PLC	± -																
4 PLC	± -																
ANGLES	± -																
MATERIAL -		FINISH -	APPLICATION SPEC SEE TABLE	SIZE A3	CAGE CODE 00779	DRAWING NO C-4-1393682-6											
CUSTOMER DRAWING			WEIGHT -	SCALE 5:1	SHEET 1 OF 2	REV B2											

THIS DRAWING IS UNPUBLISHED. RELEASED FOR PUBLICATION
 © COPYRIGHT - By - ALL RIGHTS RESERVED.

REVISIONS					
P	LTR	DESCRIPTION	DATE	DWN	APVD
-	-	SEE SHEET1	-	-	-

	Old part number	TE P/N	Description	Material	Plating	dim a	Appl spec	Cable type
OBSOLETE	V23612-A803-G76A 4	5-1393682-0 4 5	Outer conductor	Brass	1μm Au min in contact area/min 0.1μm Au over min 2μm NiP	13	114-71022	02Y(sT)CY 0.45/2.0
			Center conductor	CuBe/Bronze	min 0.1μm Au over min 2μm NiP			
			Dielectric	PEEK/PC	-			
	V23612-A803-G76	4-1393682-9	Outer conductor	Brass	1μm Au min in contact area/min 0.1μm Au over min 2μm NiP	13	114-71022	02Y(sT)CY 0.45/2.0
			Center conductor	CuBe/Bronze	min 0.1μm Au over min 2μm NiP			
			Dielectric	PEEK/PC	-			
OBSOLETE	V23612-A803-G66	4-1393682-8	Outer conductor	Brass	1μm Au min in contact area/min 0.1μm Au over min 2μm NiP	15.8	114-71023	2YCY 0.7/4.4 2YC (mS) CY 0.5/3.0 ST 120 RG 59 B/U
			Center conductor	CuBe/Bronze	min 0.1μm Au over min 2μm NiP			
			Dielectric	PEEK/PC	-			
	V23612-A803-G45A 4	4-1393682-7 4	Outer conductor	Brass	1μm Au min in contact area/min 0.1μm Au over min 2μm NiP	13	114-71022	2 YCCY 0.4/2.5 2YC (MS) CY 0.4/2.5
			Center conductor	CuBe/Bronze	min 0.1μm Au over min 2μm NiP			
			Dielectric	PEEK/PC	-			
	V23612-A803-G45	4-1393682-6	Outer conductor	Brass	1μm Au min in contact area/min 0.1μm Au over min 2μm NiP	13	114-71022	2 YCCY 0.4/2.5 2YC (mS) CY 0.4/2.5
			Center conductor	CuBe/Bronze	min 0.1μm Au over min 2μm NiP			
			Dielectric	PEEK/PC	-			

THIS DRAWING IS A CONTROLLED DOCUMENT.		DWN B.LENVAIN 26MAR2001	 TE Connectivity BULKHEAD JACK 1.6/5.6					
DIMENSIONS: mm		CHK K. MATTHEEUWS 05APR2001				NAME		
		APVD R. LEEMAN 05APR2001				PRODUCT SPEC		
TOLERANCES UNLESS OTHERWISE SPECIFIED:		APPLICATION SPEC						
MATERIAL		WEIGHT			SIZE	CAGE CODE	DRAWING NO	RESTRICTED TO
FINISH		CUSTOMER DRAWING			A3	00779	C-4-1393682-6	-
		SCALE			SHEET	REV		
		5:1			2 OF 2	B2		