

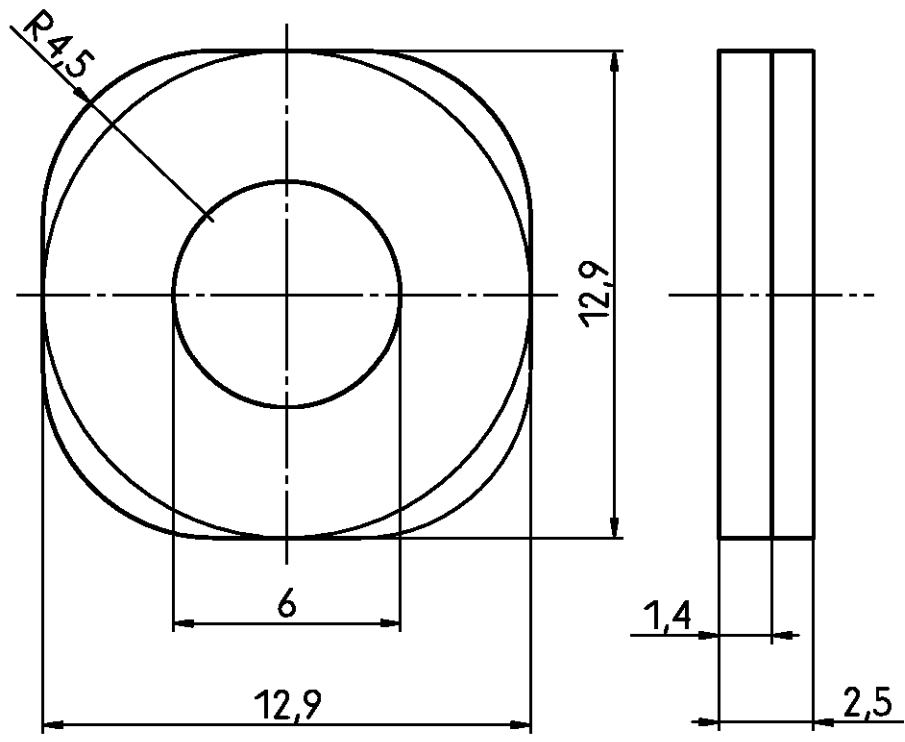
1 2 3 4

A

B

C

D



Old Part Number	Tyco Part Number	colour
V42254-A6206-L1	4-1393561-9	grey
SUPERSEDED BY 4-1393561-9 V42254-A6206-L100	5-1393561-0	black



TE Connectivity

LOC
GW

DIMENSIONS
IN MM



SCALE 5:1

WEIGHT

MATERIAL

F

REV.	CHANGE ORDER	DATE	APP.	customer drawing number: C 4-1393561-9	OF
B	ECO-18-013397	24AUG18	DG	TOLERANCE UNLESS SPECIFIED OTHERWISE	SHT. 1-
A	WO00/7013	03.07.00	KV		
01		01.08.88	VDW		
PART NAME					
bushing					
D-Sub housing					
PART NO.					
V42254-A6206-L1-* -27					

1 2 3 4

THIS INFORMATION IS CONFIDENTIAL AND PROPRIETARY TO TYCO ELECTRONICS CORPORATION AND ITS WORLDWIDE SUBSIDIARIES AND AFFILIATES. IT MAY NOT BE DISCLOSED TO ANYONE, OTHER THAN TYCO ELECTRONICS PERSONNEL, WITHOUT WRITTEN AUTHORIZATION FROM TYCO ELECTRONICS CORPORATION, HARRISBURG, PENNSYLVANIA USA.

PROPRIETARY: