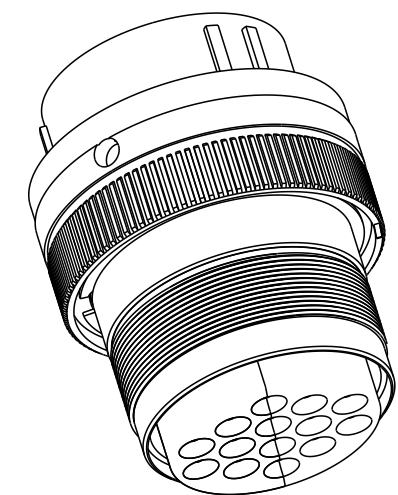
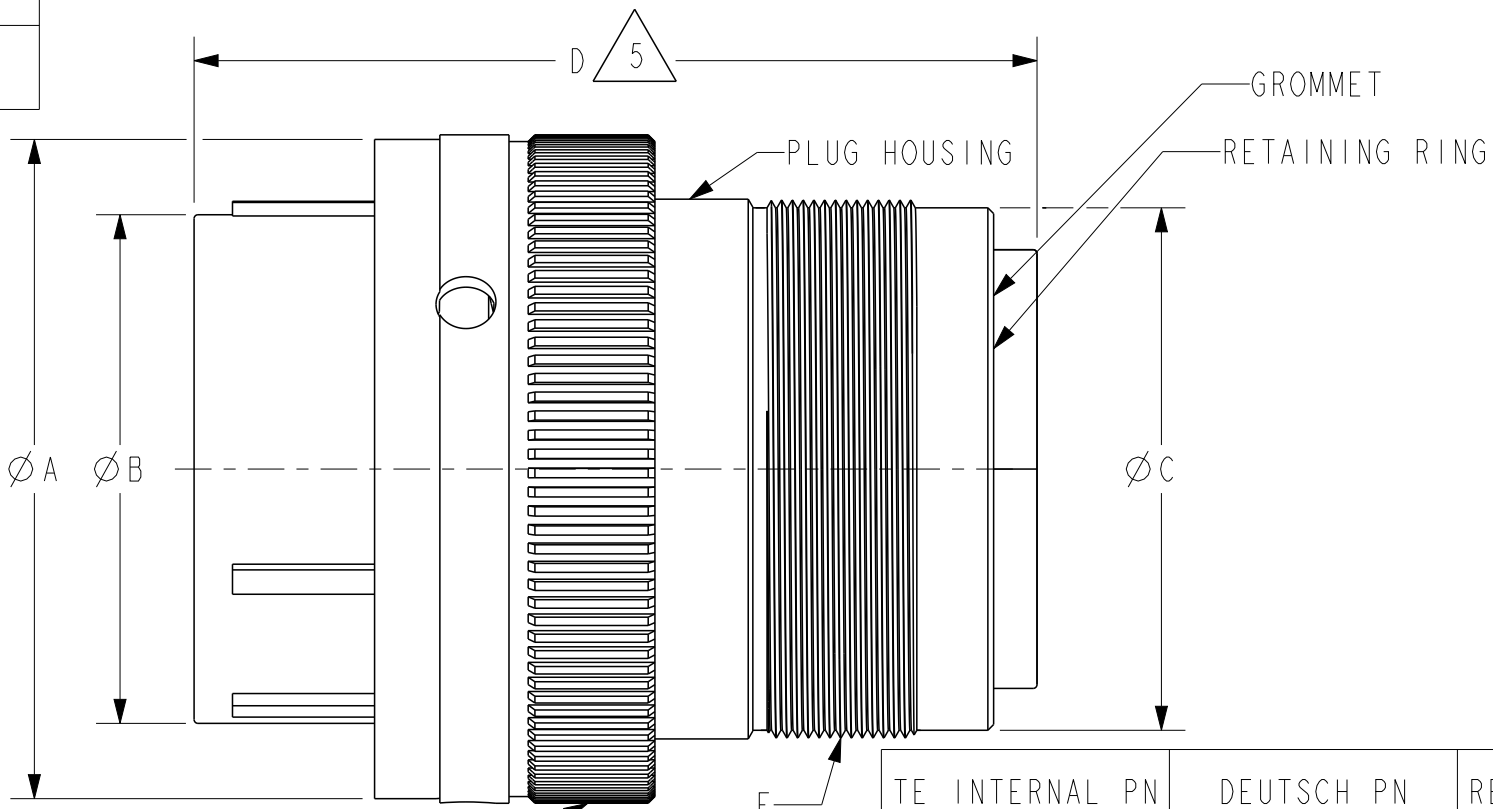


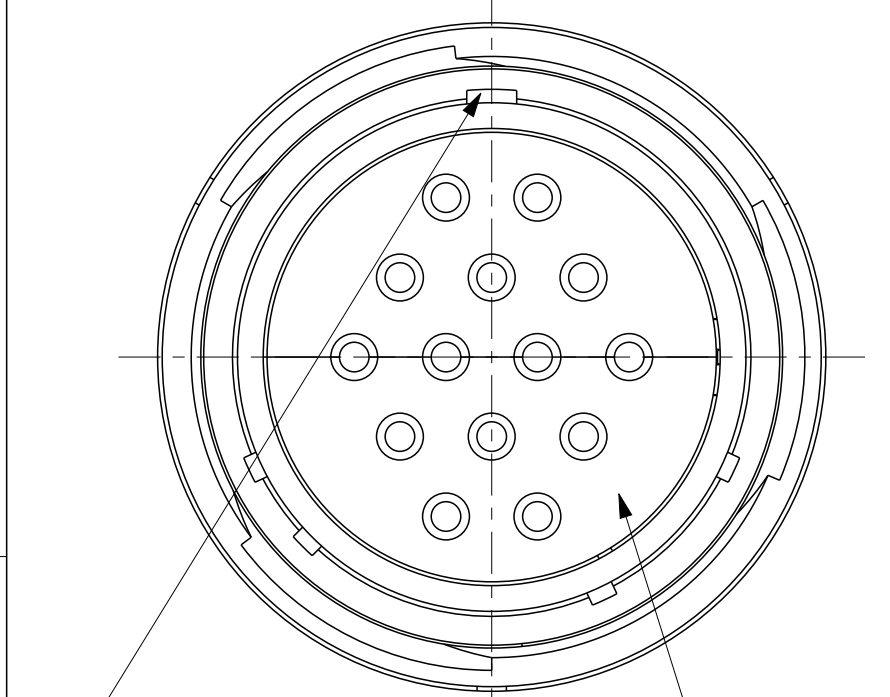
THIS DRAWING IS UNPUBLISHED. RELEASED FOR PUBLICATION 2017  
 © COPYRIGHT 2017 BY - TE CONNECTIVITY ALL RIGHTS RESERVED.

P	LTR	DESCRIPTION	DATE	DWN	APVD
	B1	REVISED PER PCN E-17-018475	08DEC2017	CM	DM
	C	REVISED PER PCN E-18-018867	04DEC2018	AJ	DM
	C1	REVISED PER PCN E-19-007592	09JAN2020	CO	IG
	C2	REVISED PER PCN-23-177577	05JUN2023	CO	IG

CONTACT SIZE	MIN. INSUL O.D.	MAX. INSUL O.D.	WIRE RANGE [mm <sup>2</sup> ] REF ONLY
4	.280 [7.111]	.420 [10.67]	4 AWG [21.0]
8	.190 [4.83]	.240 [6.10]	8-10 AWG [8.0-5.0]
12	.134 [3.40]	.170 [4.32]	10-14 AWG [5.0-2.0]
16	.100 [2.54]	.134 [3.40]	14-20 AWG [2.0-0.5]



**3D VIEW**



TE INTERNAL PN	DEUTSCH PN	REV	ARRANGEMENT	CONTACT SIZE	QTY	CONTACT TYPE
3T0203-24-20P	3T0203-24-20P	J	24-20	16	20	PIN
3T3044-32-25P	3T3044-32-25P	J	32-25	4 8 12 16	2 3 4 16	PIN
3T3412-32-37P	3T3412-32-37P	J	32-37	16	37	PIN

PART NUMBER	SIZE	ØA REF [mm]	ØB [mm]	ØC [mm]	D REF [mm]	E THREAD
3TXXX-24-XXS/P	24	Ø1.716 [43.59]	Ø1.325 [33.66]	Ø1.368 [34.75]	2.195 [55.75]	1.4375-18UNEF-2A MODIFIED
3TXXX-32-XXS/P	32	Ø2.380 [60.45]	Ø1.915 [48.64]	Ø1.925 [48.90]	2.195 [55.75]	2.000-18UNS-2A MODIFIED

7. SEE PAGE 2 FOR CONTINUED NOTES.
6. PART NUMBER INFO:  
 XXXX = CATERPILLAR PART NO.  
 24/32 = PLUG SHELL SIZE  
 XX = ARRANGEMENT NO.
5. TOTAL DIMENSION WITH WIRE SEAL.
4. FOR CONTACTS AND WIRES PERFORMANCE AND APPLICATION CHARACTERISTICS SEE CUSTOMER DRAWING 4025-001-0000.
3. FOR ARRANGEMENT OF CONTACT LOCATION SEE CUSTOMER DRAWING 4025-006-0000.
2. PLUG IS SUPPLIED WITH DUST CAP PN 6V1824 (SIZE 24), AND 5P8922 (SIZE 32) (NOT SHOWN).
1. CONSULT THE FACTORY FOR ELECTRICAL AND MATERIAL SPECIFICATIONS.

NOTES:

THIS DRAWING IS A CONTROLLED DOCUMENT.		DWN A. MALAGON 06JAN2010			
DIMENSIONS: in [mm]		CHK R. MILLIGAN 14JUL2010			
TOLERANCES UNLESS OTHERWISE SPECIFIED:		APVD S. BEARD 14JUL2010		NAME PLUG CONNECTOR SHELL SIZE 24 AND 32 C.E. SERIES	
0 PLC ±		PRODUCT SPEC -		SIZE A3	
1 PLC ±		APPLICATION SPEC -		CAGE CODE 4AFU8	
2 PLC ±		WEIGHT -		DRAWING NO. 3TXXX-24/32-XXS/P	
3 PLC ±.025 [.64]		CUSTOMER DRAWING		RESTRICTED TO	
4 PLC ±		SCALE 1:1		SHEET 1 OF 2	
ANGLES ±0° 30' 0"		REV C2			
FINISH					

THIS DRAWING IS UNPUBLISHED  
 RELEASED FOR PUBLICATION 2017  
 © COPYRIGHT 2017 BY - TE CONNECTIVITY ALL RIGHTS RESERVED.


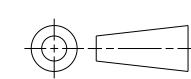
REVISIONS					
P	LTR	DESCRIPTION	DATE	DWN	APVD
	-	SEE SHEET 1	-	-	-

10. ENDBELL MOUNTING TORQUE:  
 - SIZE 24  
 124 ± 17.7 in-lbf [14 ± 2 Nm]  
 - SIZE 32  
 159.31 ± 35.4 in-lbf [18 ± 4 Nm]

9. PLATING: CLEAR TRIVALENT CHROMATE CONVERSION COATING (ROHS COMPLIANT).

8. MATERIAL:  
 PLUG HOUSING: AL 6000 SERIES  
 COUPLING RING: AL 6000 SERIES  
 RETAINING RING: PA66 GF10 (GREEN)  
 PIN FRONT: PA66 GF (BLACK)  
 GROMMET: VMO (RED-ORANGE)

NOTES: (CONTINUED)

THIS DRAWING IS A CONTROLLED DOCUMENT.		DWN A. MALAGON 06 JAN 2010	 TE Connectivity		
DIMENSIONS: in [mm]		CHK R. MILLIGAN 14 JUL 2010			
		APVD S. BEARD 14 JUL 2010	NAME PLUG CONNECTOR SHELL SIZE 24 AND 32 C.E. SERIES		
TOLERANCES UNLESS OTHERWISE SPECIFIED: 0 PLC ± 1 PLC ± 2 PLC ± 3 PLC ±.025 [.64] 4 PLC ± ANGLES ±0° 30' 0"		PRODUCT SPEC -	RESTRICTED TO		
MATERIAL 8		APPLICATION SPEC -	SIZE A3	CAGE CODE 4AFU8	DRAWING NO C-3TXXXX-24/32-XXS/P
FINISH 9		WEIGHT -	SCALE 1:1 SHEET 2 OF 2 REV C2		
		CUSTOMER DRAWING			