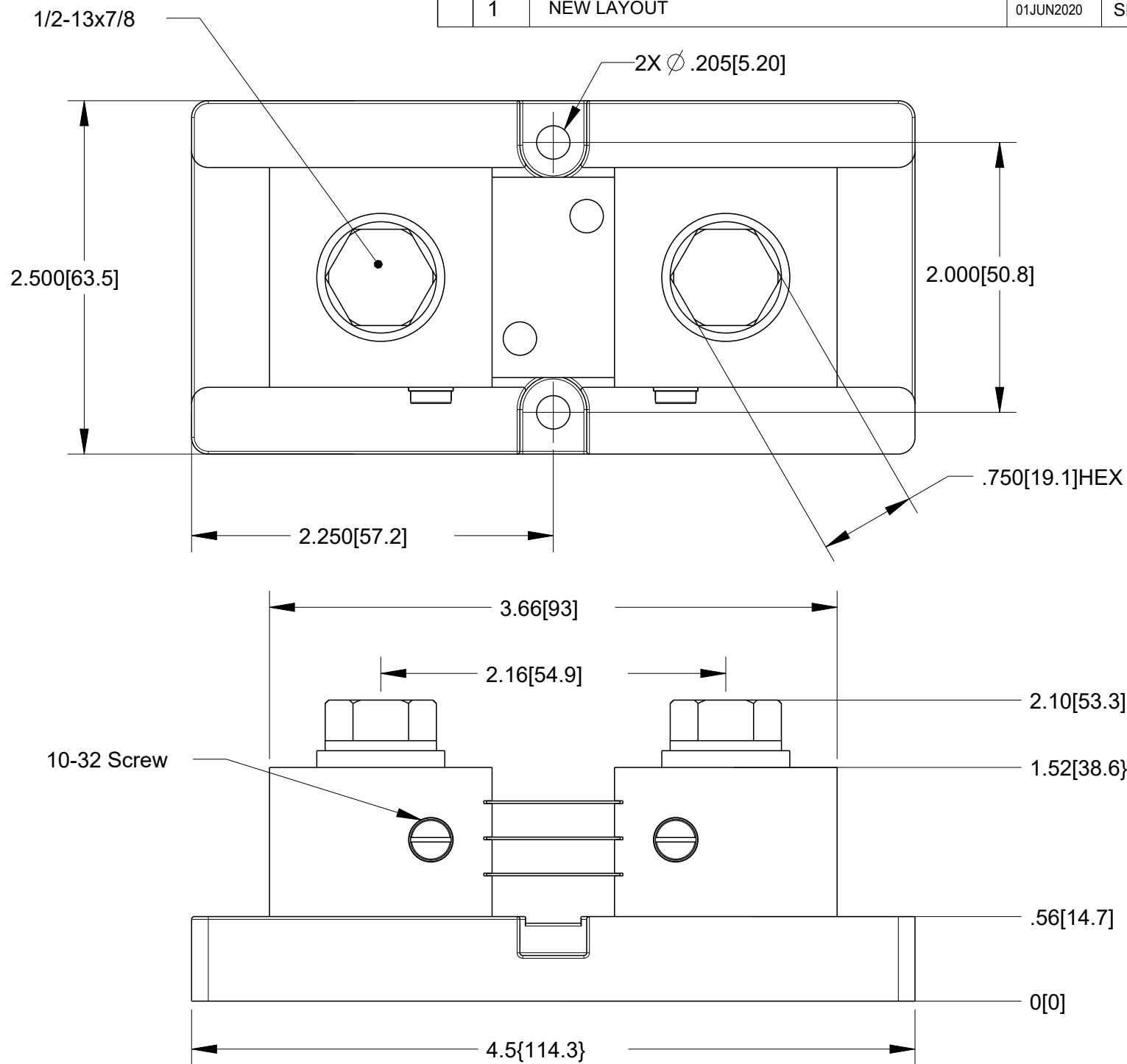
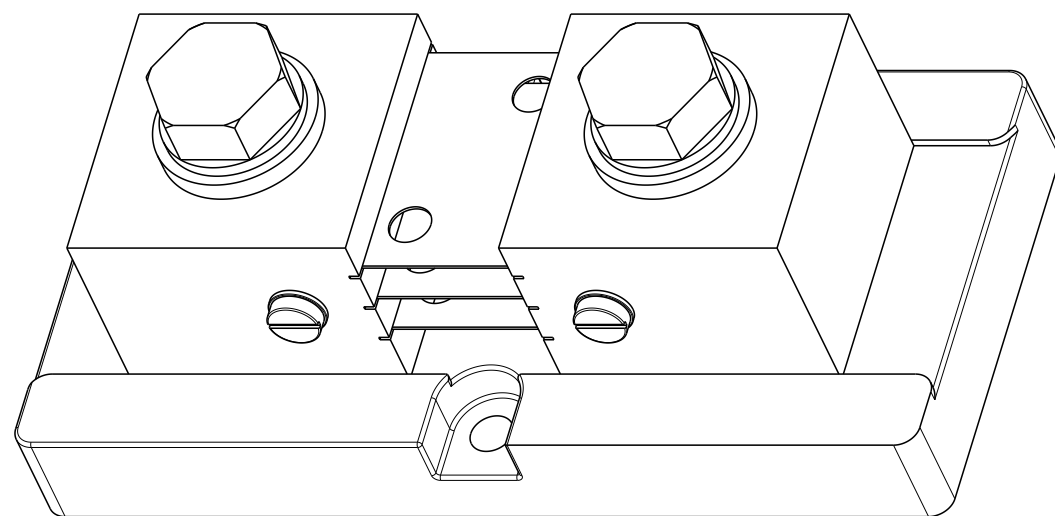


REVISIONS

P	LTR	DESCRIPTION	DATE	DWN	APVD
1		NEW LAYOUT	01JUN2020	SM	NJ



10-32 Screw

800A to 1200A

THIS DRAWING IS A CONTROLLED DOCUMENT.		DWN SATYA.M 01JUN2020		
		CHK NIGEL JOHNSON 01JUN2020		
DIMENSIONS: mm		APVD NIGEL JOHNSON 01JUN2020	NAME ANSI SHUNT TM RANGE 800-1200A DIMENSION DRAWING	
TOLERANCES UNLESS OTHERWISE SPECIFIED:		PRODUCT SPEC -	RESTRICTED TO -	
0 PLC ±-		APPLICATION SPEC -	SIZE A3	CAGE CODE 00779
1 PLC ±-		WEIGHT -	DRAWING NO C=CI-3L50701	
2 PLC ±-		CUSTOMER DRAWING	SCALE 1:1	SHEET 1 OF 1
3 PLC ±-				REV 1
4 PLC ±-				
ANGLES ±-				
FINISH -				