

4

3

2

1

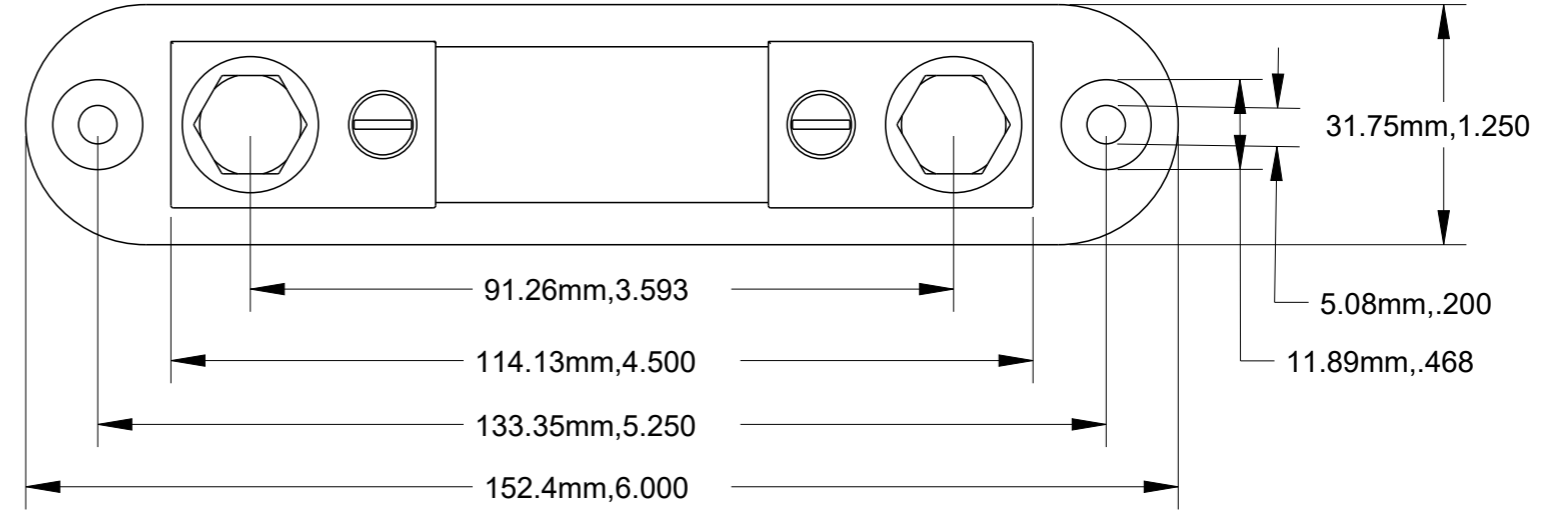
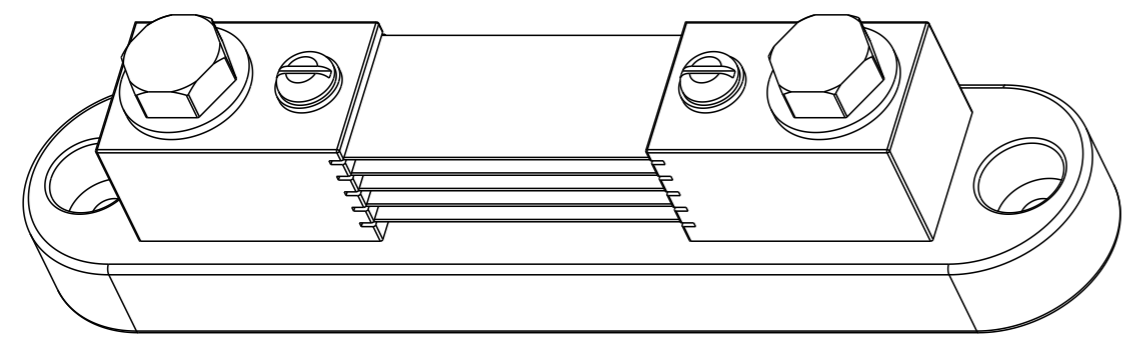
© 2020 TE Connectivity. All Rights Reserved.

REVISIONS

P	LTR	DESCRIPTION	DATE	DWN	APVD
1		NEW LAYOUT	01JUN2020	SM	NJ

D

D

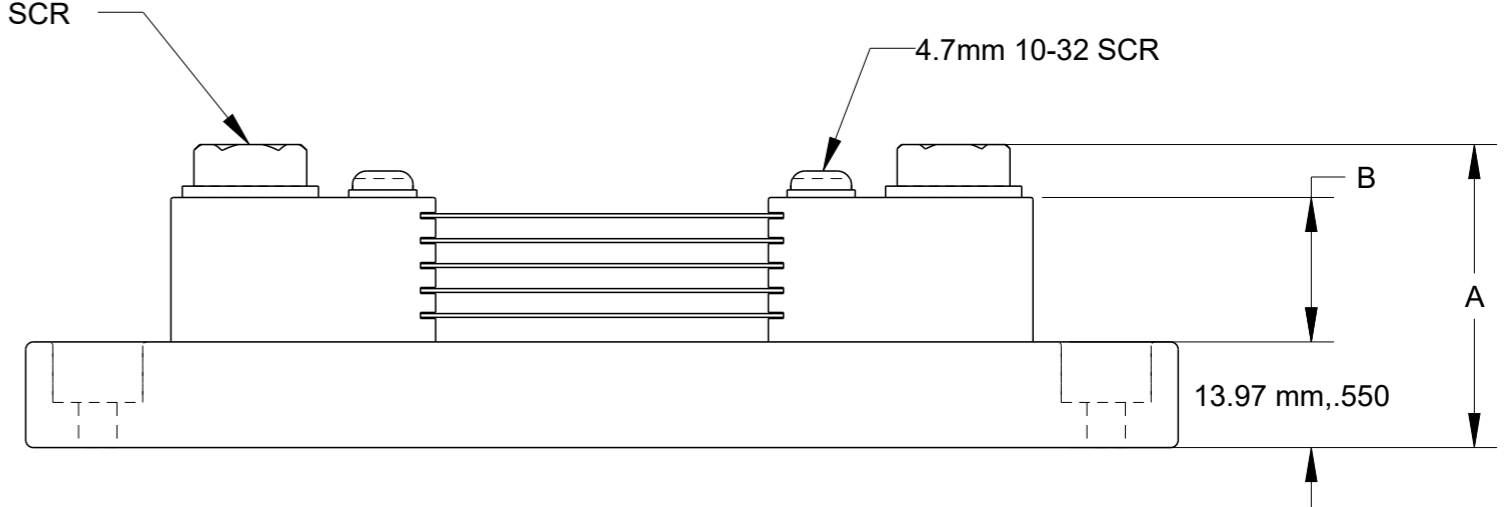


C

C

3/8-16 SCR

4.7mm 10-32 SCR



B

B

CURRENT RATING	A	B
1A-200A	1.38" (35.1mm)	0.50" (12.7mm)
250A-500A	1.63" (41.4mm)	0.75" (19.1mm)

THIS DRAWING IS A CONTROLLED DOCUMENT.

DWN 01JUN2020 SATYA.M

CHK 01JUN2020 NIGEL JOHNSON

APVD 01JUN2020 NIGEL JOHNSON

PRODUCT SPEC -

APPLICATION SPEC -

WEIGHT -

CUSTOMER DRAWING

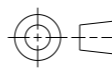


TE Connectivity

ANSI SHUNT FN RANGE DIMENSION DRAWING

DIMENSIONS:

mm



TOLERANCES UNLESS OTHERWISE SPECIFIED:

0 PLC	±
1 PLC	±
2 PLC	±
3 PLC	±
4 PLC	±
ANGLES	±
FINISH	-

MATERIAL TBD

SIZE	CAGE CODE	DRAWING NO	RESTRICTED TO
A3	00779	CI-3L50401	-

SCALE	SHEET	OF	REV
1:1	1	1	1

A

A