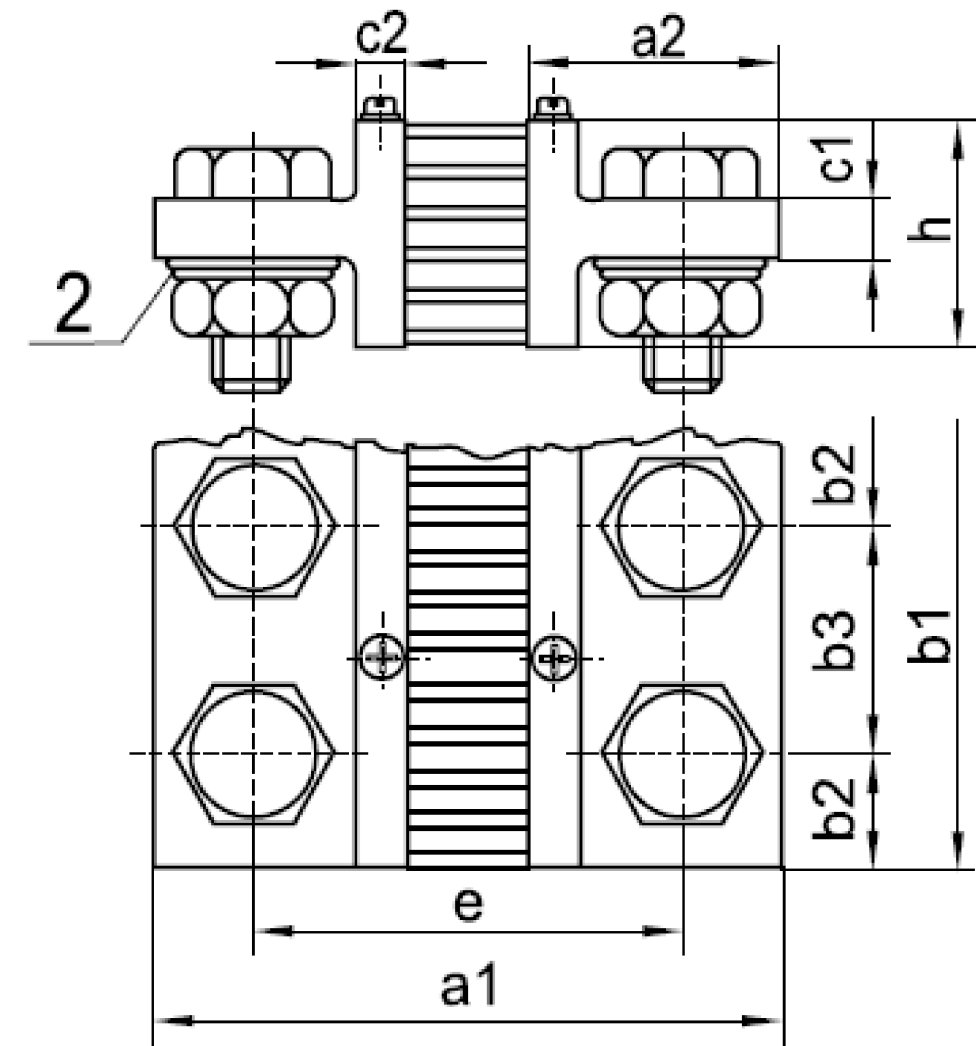

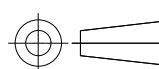


P	LTR	DESCRIPTION	DATE	DWN	APVD
	1	NEW LAYOUT	16MAR2020	RK	NJ

Part Number	Drawing	Dimensions (mm)										Weight (kg)	Terminals	Hexagon bolt	Washer
		a1	a2	b1	b2	b3	c1	c2	e	h					
ST3-4000A/50MV	C	158	65	120	30	60	15	10	108	60	4.30	2 x 2	M20 x 60	21.0	
ST3-6000A/50MV	C	168	70	154	25	52	25	15	118	130	10.50	2 x 3	M20 x 75	21.0	
ST3-10000A/50MV	C	178	75	206	25	52	30	20	128	170	21.00	2 x 4	M20 x 80	21.0	
ST3-4000A/60MV	C	165	65	120	30	60	15	10	115	60	4.3	2 x 2	M20 x 60	21	
ST3-5000A/60MV	C	175	70	154	25	52	25	15	125	130	10.50	2 x 3	M20 x 75	21	
ST3-6000A/60MV	C	175	70	154	25	52	25	15	125	130	10.50	2 x 3	M20 x 75	21	
ST3-8000A/60MV	C	185	75	206	25	52	30	20	135	170	21.00	2 x 4	M20 x 80	21	
ST3-10000A/60MV	C	185	75	206	25	52	30	20	135	170	21.00	2 x 4	M20 x 80	21	
ST2-2000A/75MV	C	180	65	120	30	60	15	10	130	60	3.1	2 x 2	M20 x 60	21	
ST2-2500A/75MV	C	180	65	120	30	60	15	10	130	60	3.1	2 x 2	M20 x 60	21	
ST3-4000A/75MV	C	190	70	120	30	60	25	15	140	130	5.20	2 x 2	M20 x 75	21	
ST3-5000A/75MV	C	190	70	154	25	52	25	15	140	130	11.20	2 x 3	M20 x 75	21	
ST3-6000A/75MV	C	190	70	154	25	52	25	15	140	130	11.20	2 x 3	M20 x 75	21	
ST3-10000A/75MV	C	200	75	206	25	52	30	20	150	170	22.00	2 x 4	M20 x 80	21	
ST2-2000A/100MV	C	210	65	120	30	60	15	10	160	60	3.20	2 x 2	M20 x 60	21.0	
ST2-2500A/100MV	C	210	65	120	30	60	15	10	160	60	3.20	2 x 2	M20 x 60	21.0	
ST3-4000A/100MV	C	220	70	120	30	60	25	15	170	130	5.80	2 x 2	M20 x 75	21.0	
ST3-6000A/100MV	C	220	70	154	25	52	25	15	170	130	12.00	2 x 3	M20 x 75	21.0	
ST3-10000A/100MV	C	230	75	206	25	52	30	20	180	170	23.00	2 x 4	M20 x 80	21.0	
ST2-1500A/150MV	C	290	65	90	21	48	15	10	240	60	3.10	2 x 2	M16 x 60	17	
ST2-2000A/150MV	C	290	65	120	30	60	15	10	240	60	5.20	2 x 2	M20 x 60	21	
ST2-2500A/150MV	C	290	65	120	30	60	15	10	240	60	5.20	2 x 2	M20 x 60	21	
ST3-4000A/150MV	C	300	70	120	30	60	25	15	250	130	8.30	2 x 2	M20 x 75	21	
ST3-5000A/150MV	C	300	70	154	25	52	25	15	250	130	15.00	2 x 3	M20 x 75	21	
ST3-6000A/150MV	C	300	70	154	25	52	25	15	250	130	15.00	2 x 3	M20 x 75	21	
ST3-8000A/150MV	C	310	75	206	25	52	30	20	260	170	28.00	2 x 4	M20 x 80	21	
ST3-10000A/150MV	C	310	75	206	25	52	30	20	260	170	28.00	2 x 4	M20 x 80	21	



THIS DRAWING IS A CONTROLLED DOCUMENT.		DWN 16MAR2020 RAGHAVENDRA.K		 TE Connectivity	
DIMENSIONS: mm		TOLERANCES UNLESS OTHERWISE SPECIFIED:			
		0 PLC ± -		APVD -	
		1 PLC ± -		PRODUCT SPEC -	
MATERIAL -		2 PLC ± -		APPLICATION SPEC -	
		3 PLC ± -		SIZE -	
FINISH -		4 PLC ± -		CAGE CODE -	
		ANGLES ± -		DRAWING NO -	
		WEIGHT -		RESTRICTED TO -	
		CUSTOMER DRAWING		A3 00779 C-3L44903	
		SCALE 1:1		SHEET 1 OF 1	
				REV 1	