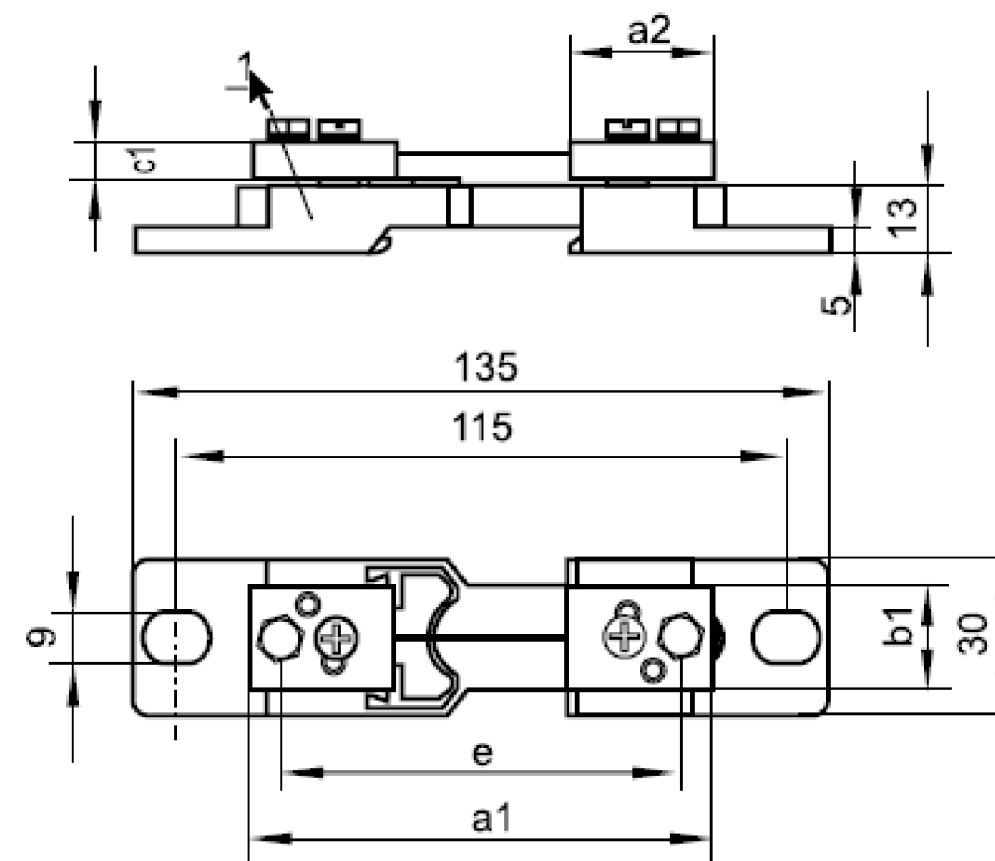



P	LTR	DESCRIPTION	DATE	DWN	APVD
1		NEW LAYOUT	16MAR2020	RK	NJ

Part Number	Drawing	Dimensions (mm)							Weight (kg)	Terminals	Hexagon bolt	Washer	
		a1	a2	b1	b2	b3	c1	c2					e
ST1-10A/50MV	A	90	28	20	-	-	8	-	78	0.13	2 x 1	M5 x 12	5.3
ST1-20A/50MV	A	90	28	20	-	-	8	-	78	0.13	2 x 1	M5 x 12	5.3
ST1-25A/50MV	A	90	28	20	-	-	8	-	78	0.13	2 x 1	M5 x 12	5.3
ST1-30A/50MV	A	90	28	20	-	-	8	-	78	0.13	2 x 1	M5 x 12	5.3
ST1-40A/50MV	A	93	33	20	-	-	8	-	73	0.13	2 x 1	M8 x 16	8.4
ST1-50A/50MV	A	93	33	20	-	-	8	-	73	0.13	2 x 1	M8 x 16	8.4
ST1-60A/50MV	A	93	33	20	-	-	8	-	73	0.13	2 x 1	M8 x 16	8.4
ST1-80A/50MV	A	93	33	20	-	-	8	-	73	0.13	2 x 1	M8 x 16	8.4
ST1-100A/50MV	A	93	33	20	-	-	8	-	73	0.13	2 x 1	M8 x 16	8.4
ST1-125A/50MV	A	93	33	20	-	-	8	-	73	0.13	2 x 1	M8 x 16	8.4
ST1-150A/50MV	A	93	33	20	-	-	8	-	73	0.13	2 x 1	M8 x 16	8.4
ST1-10A/60MV	A	90	28	20	-	-	8	-	78	0.13	2 x 1	M5 x 12	5.3
ST1-20A/60MV	A	90	28	20	-	-	8	-	78	0.13	2 x 1	M5 x 12	5.3
ST1-25A/60MV	A	90	28	20	-	-	8	-	78	0.13	2 x 1	M5 x 12	5.3
ST1-30A/60MV	A	90	28	20	-	-	8	-	78	0.13	2 x 1	M5 x 12	5.3
ST1-40A/60MV	A	100	33	20	-	-	8	-	80	0.13	2 x 1	M8 x 16	8.4
ST1-50A/60MV	A	100	33	20	-	-	8	-	80	0.13	2 x 1	M8 x 16	8.4
ST1-60A/60MV	A	100	33	20	-	-	8	-	80	0.13	2 x 1	M8 x 16	8.4
ST1-80A/60MV	A	100	33	20	-	-	8	-	80	0.13	2 x 1	M8 x 16	8.4
ST1-100A/60MV	A	100	33	20	-	-	8	-	80	0.13	2 x 1	M8 x 16	8.4
ST1-125A/60MV	A	100	33	20	-	-	8	-	80	0.13	2 x 1	M8 x 16	8.4
ST1-150A/60MV	A	100	33	20	-	-	8	-	80	0.13	2 x 1	M8 x 16	8.4
ST1-200A/60MV	A	100	33	20	-	-	8	-	80	0.13	2 x 1	M8 x 16	8.4
ST1-10A/75MV	A	90	28	20	-	-	8	-	78	0.14	2 x 1	M5 x 12	5.3
ST1-20A/75MV	A	90	28	20	-	-	8	-	78	0.14	2 x 1	M5 x 12	5.3
ST1-25A/75MV	A	90	28	20	-	-	8	-	78	0.14	2 x 1	M5 x 12	5.3
ST1-30A/75MV	A	90	28	20	-	-	8	-	78	0.14	2 x 1	M5 x 12	5.3
ST1-40A/75MV	A	115	33	25	-	-	8	-	95	0.17	2 x 1	M8 x 16	8.4
ST1-50A/75MV	A	115	33	25	-	-	8	-	95	0.17	2 x 1	M8 x 16	8.4
ST1-60A/75MV	A	115	33	25	-	-	8	-	95	0.17	2 x 1	M8 x 16	8.4
ST1-80A/75MV	A	115	33	25	-	-	8	-	95	0.17	2 x 1	M8 x 16	8.4
ST1-100A/75MV	A	115	33	25	-	-	8	-	95	0.17	2 x 1	M8 x 16	8.4
ST1-125A/75MV	A	115	33	25	-	-	8	-	95	0.17	2 x 1	M8 x 16	8.4
ST1-150A/75MV	A	115	33	25	-	-	8	-	95	0.17	2 x 1	M8 x 16	8.4
ST1-10/A100MV	A	90	28	20	-	-	8	-	78	0.14	2 x 1	M5 x 12	5.3
ST1-20A/100MV	A	90	28	20	-	-	8	-	78	0.14	2 x 1	M5 x 12	5.3
ST1-25A/100MV	A	90	28	20	-	-	8	-	78	0.14	2 x 1	M5 x 12	5.3
ST1-30A/100MV	A	90	28	20	-	-	8	-	78	0.14	2 x 1	M5 x 12	5.3
ST1-40A/100MV	A	145	33	25	-	-	8	-	125	0.20	2 x 1	M8 x 16	8.4
ST1-50A/100MV	A	145	33	25	-	-	8	-	125	0.20	2 x 1	M8 x 16	8.4
ST1-60A/100MV	A	145	33	25	-	-	8	-	125	0.20	2 x 1	M8 x 16	8.4
ST1-80A/100MV	A	145	33	25	-	-	8	-	125	0.20	2 x 1	M8 x 16	8.4
ST1-100A/100MV	A	145	33	25	-	-	8	-	125	0.20	2 x 1	M8 x 16	8.4
ST1-125A/100MV	A	145	33	25	-	-	8	-	125	0.20	2 x 1	M8 x 16	8.4
ST1-150A/100MV	A	145	33	25	-	-	8	-	125	0.20	2 x 1	M8 x 16	8.4

Part Number	Drawing	Dimensions (mm)							Weight (kg)	Terminals	Hexagon bolt	Washer	
		a1	a2	b1	b2	b3	c1	c2					e
ST1-10A/150MV	A	90	28	20	-	-	8	-	78	0.13	2 x 1	M5 x 12	5.3
ST1-20A/150MV	A	90	28	20	-	-	8	-	78	0.13	2 x 1	M5 x 12	5.3
ST1-25A/150MV	A	90	28	20	-	-	8	-	78	0.13	2 x 1	M5 x 12	5.3
ST1-30A/150MV	A	90	28	20	-	-	8	-	78	0.13	2 x 1	M5 x 12	5.3
ST1-40A/150MV	A	225	33	25	-	-	8	-	205	0.23	2 x 1	M8 x 16	8.4
ST1-50A/150MV	A	225	33	25	-	-	8	-	205	0.23	2 x 1	M8 x 16	8.4
ST1-60A/150MV	A	225	33	25	-	-	8	-	205	0.23	2 x 1	M8 x 16	8.4
ST1-80A/150MV	A	225	33	25	-	-	8	-	205	0.23	2 x 1	M8 x 16	8.4
ST1-100A/150MV	A	225	33	25	-	-	8	-	205	0.23	2 x 1	M8 x 16	8.4
ST1-125A/150MV	A	225	33	25	-	-	8	-	205	0.23	2 x 1	M8 x 16	8.4
ST1-150A/150MV	A	225	33	25	-	-	8	-	205	0.23	2 x 1	M8 x 16	8.4



THIS DRAWING IS A CONTROLLED DOCUMENT.		DWN 16MAR2020 RAGHAVENDRA.K	 TE Connectivity	
DIMENSIONS: mm		CHK NIGEL JOHNSON		
TOLERANCES UNLESS OTHERWISE SPECIFIED:		APVD NIGEL JOHNSON	NAME ST SHUNTS DIMENSIONAL DRAWING	
0 PLC ± - 1 PLC ± - 2 PLC ± - 3 PLC ± - 4 PLC ± - ANGLES ± -		PRODUCT SPEC	-	
MATERIAL		APPLICATION SPEC	-	
FINISH		WEIGHT	SIZE	RESTRICTED TO
-		-	A3	-
		CUSTOMER DRAWING	CAGE CODE	DRAWING NO
			00779	3L44901
		SCALE	SHEET	REV
		1:1	1 OF 1	1