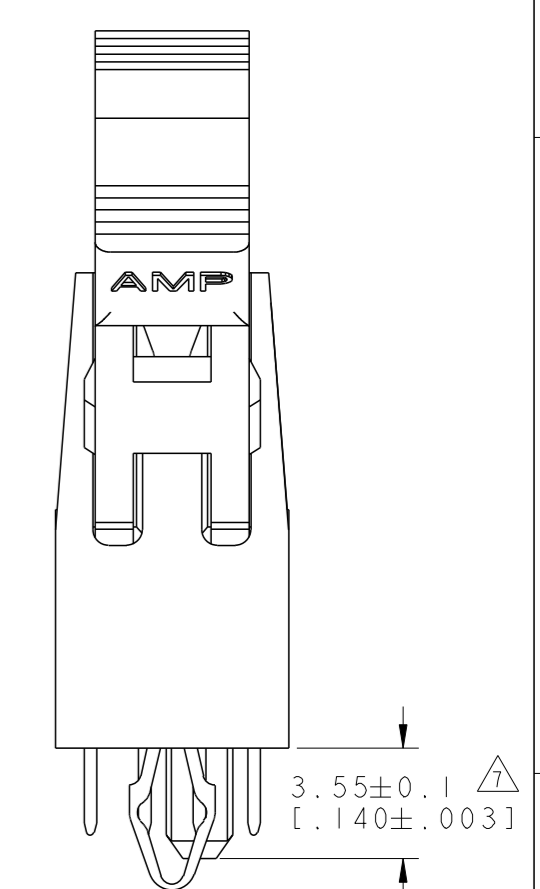
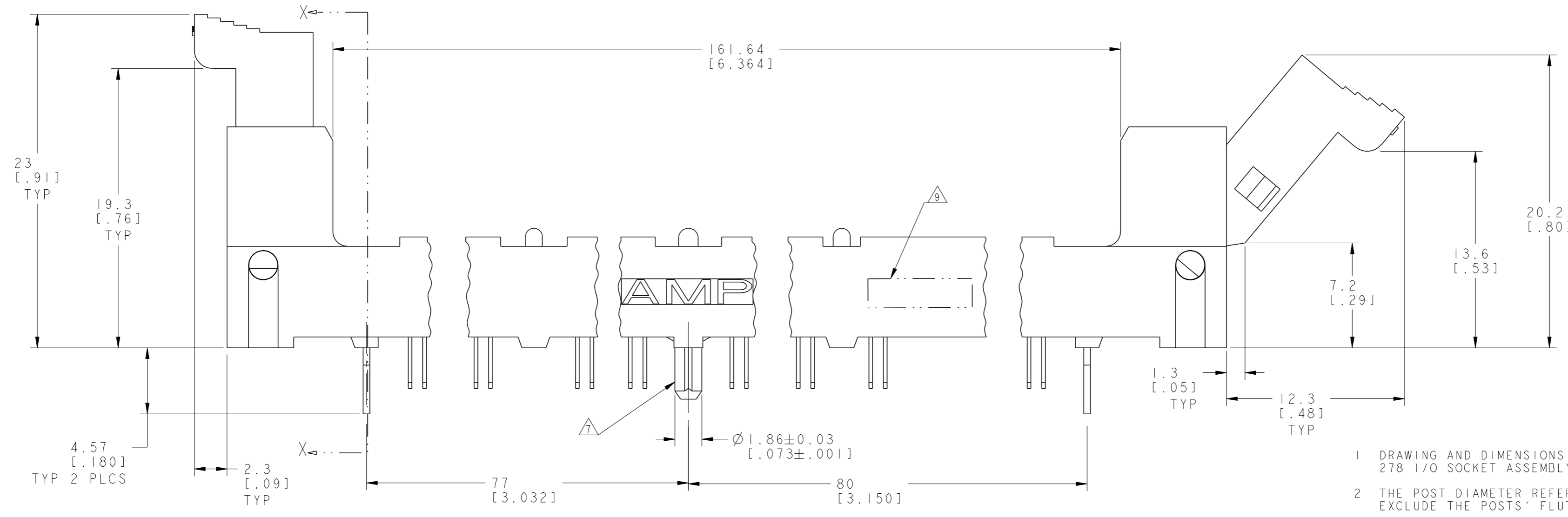
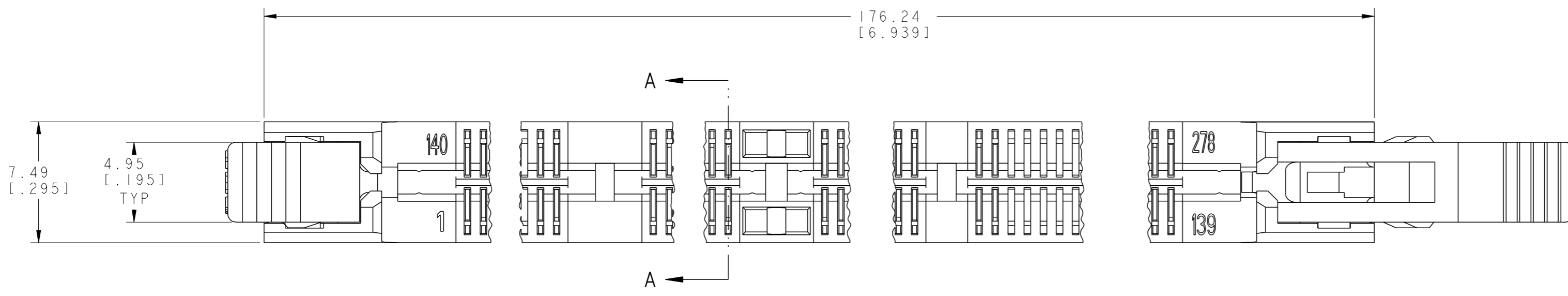
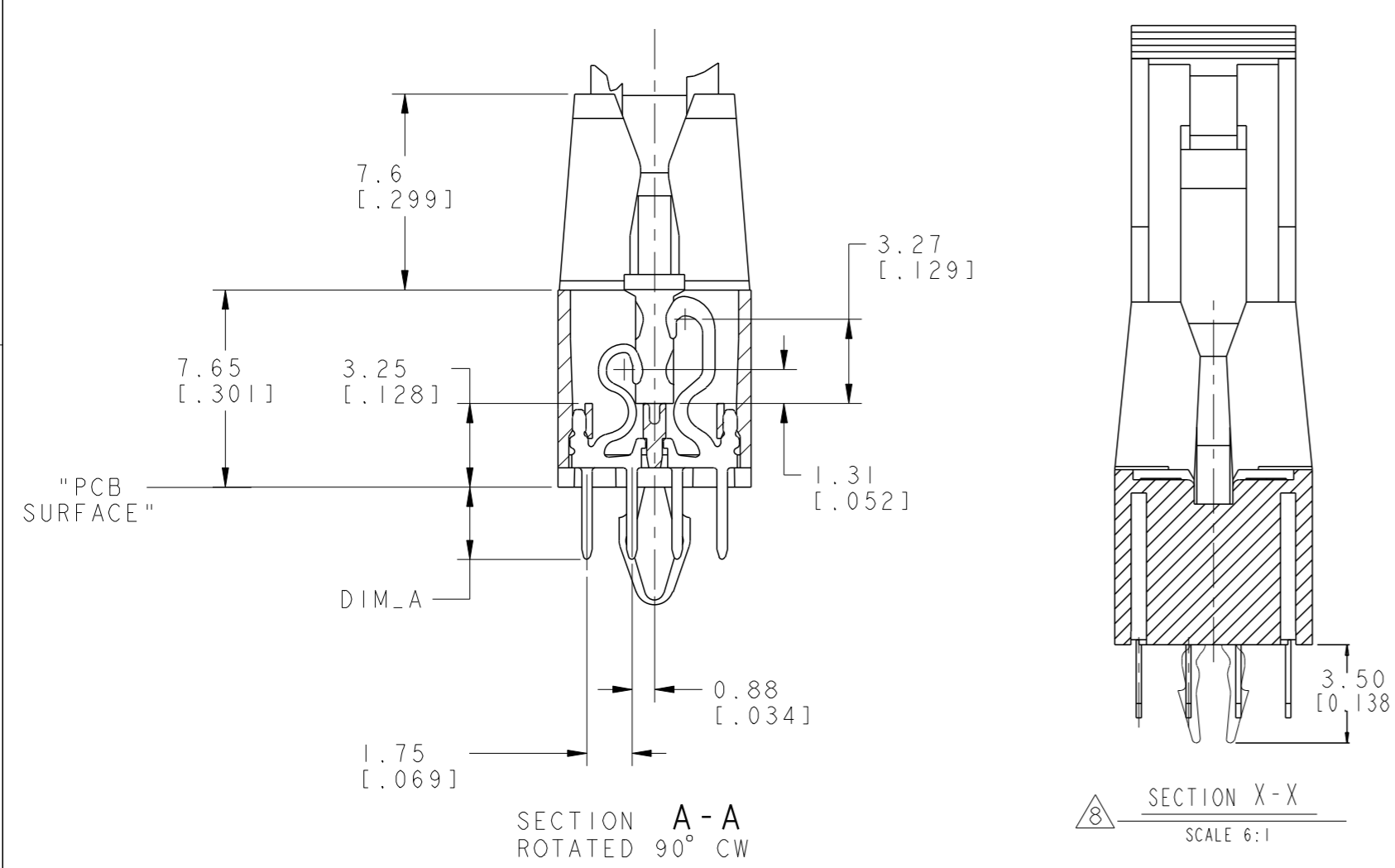


LOC	DIST	REVISIONS			
GP	0	REV	DATE	BY	APPV
		N1	REVIS PER ECR-11-000517	10JAN2011	SW CW



- DRAWING AND DIMENSIONS SHOWN ARE FOR A SINGLE 278 I/O SOCKET ASSEMBLY.
- THE POST DIAMETER REFERENCE DIMENSIONS EXCLUDE THE POSTS' FLUTING FEATURES.
- CONTACT PADS SHALL BE PLATED WITH 0.0008 [0.0003] MINIMUM THICK GOLD OVER 0.0038 [0.0015] MINIMUM THICK NICKEL.
- MATERIAL:
 HOUSING- HIGH TEMPERATURE NYLON, BLACK.
 EXTRACTORS- HIGH TEMPERATURE NYLON, NATURAL, BLACK.
 CONTACTS- PHOSPHOR BRONZE WITH 0.00076 [0.00030] MIN THICK GOLD OVER 0.0038 [0.00150] MIN THICK NICKEL IN CONTACT AREA AND 0.0038 [0.00150] MIN THICK TIN-LEAD OVER 0.00127 [0.00050] MIN THICK NICKEL ON SOLDER TAIL.
 BOARDLOCKS, BRASS, AMP 100-86
- WAVE SOLDER COMPATIBLE ONLY.
- REFLOW SOLDER COMPATIBLE.
- 390108-4 DOES NOT HAVE CENTER POST.
- BOARDLOCK DETAIL FOR 390108-5 ONLY.
- DATE CODE LOCATED APPROX. AS SHOWN.
- ALL MATERIALS PER NOTE 4 EXCEPT:
 SOLDER TAIL FINISH: BRIGHT TIN
 PER AMP SPEC 112-16-2, 0.0038 [0.00150] MIN OVER 0.00127 [0.00050] MIN THICK NICKEL.



(N)	OBSOLETE	—BLACK	4.19 [.165]	278	390108-6	10
(N)	OBSOLETE	—NATURAL	2.79 [.110]	278	390108-5	—
(N)	OBSOLETE	—BLACK	4.19 [.165]	278	390108-4	7
		NATURAL	2.79 [.110]	278	390108-3	6
(N)	OBSOLETE	—BLACK	4.19 [.165]	278	390108-2	—
(N)	OBSOLETE	—NATURAL	2.79 [.110]	278	390108-1	5
	PRODUCT STATUS	EXTRACTOR	DIM_A	POS	PART NUMBER	

DIMENSIONS: mm [INCHES]		TOLERANCES UNLESS OTHERWISE SPECIFIED: 0 PLC ±.01 1 PLC ±0.3 [0.01] 2 PLC ±0.10 [0.004] 3 PLC ±0.010 [0.0004] 4 PLC ±.01 ANGLES ±.5		DWN W. SORAH 3-FEB-97 CHK B. TALLEY 3-FEB-97 APPV J. LAMBERT 3-FEB-97		Tyco Electronics Harrisburg, PA 17105-3608	
MATERIAL		FINISH		NAME SOCKET ASSEMBLY, 16 BYTE DIMM, 1mm, 278 I/O		SIZE CAGE CODE DRAWING NO A 00779 C=390108	
RESTRICTED TO		WEIGHT		CUSTOMER DRAWING		SCALE 6:1 SHEET 1 OF 2 REV N1	

