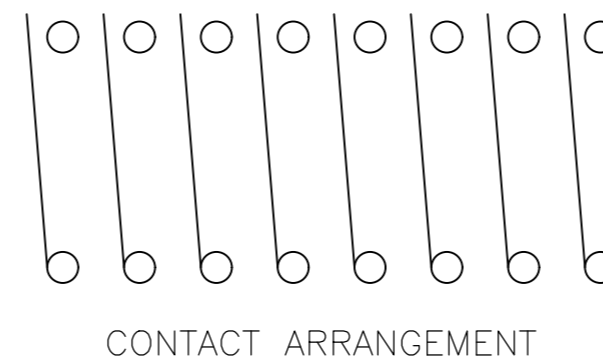
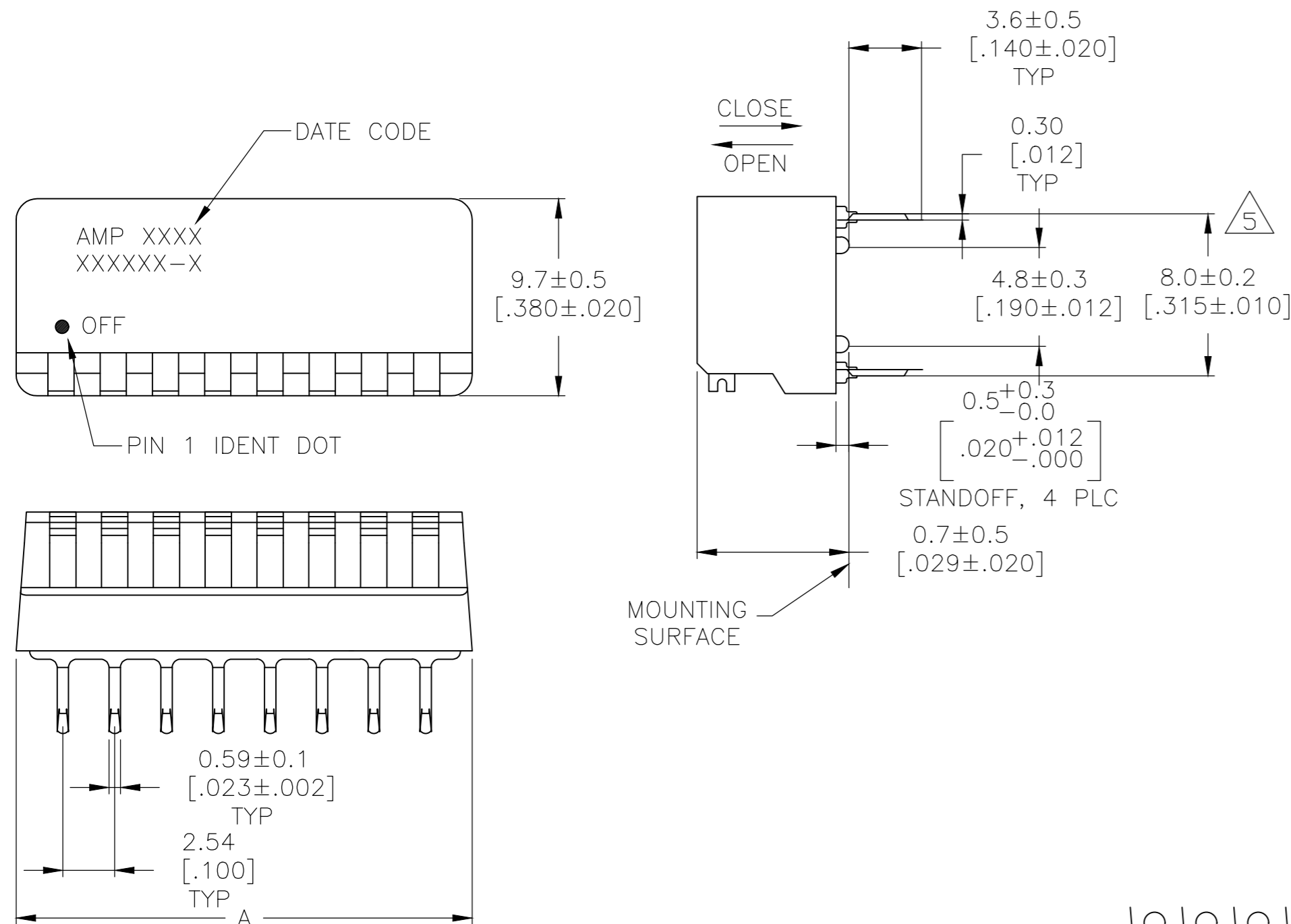
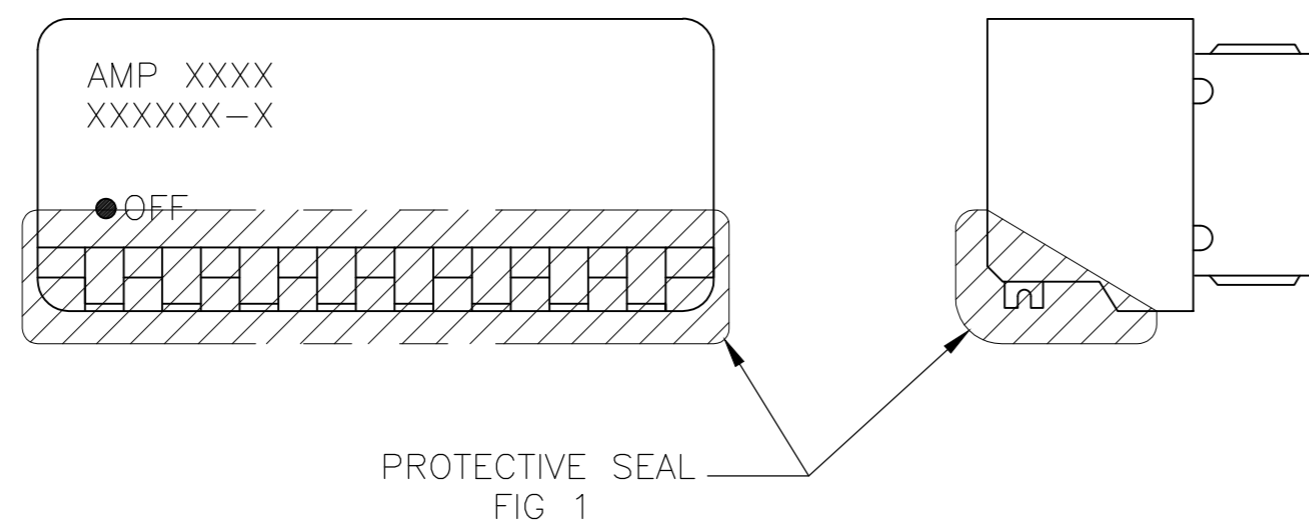


REVISIONS					
P	LTR	DESCRIPTION	DATE	DWN	APVD
E		ECO-20-004897	24AUG2020	SB	JB



- FOR ADDITIONAL SPECIFICATIONS SEE AMP PRODUCT SPEC 108-7519.
- SWITCH SHOWN IN OPEN POSITION.
- ALL CHARACTERS AND ROCKERS ARE WHITE, HOUSING IS BLACK.
- HOT MELT STRIPPABLE TRANSPARENT SEAL, SEE FIG 1.
- 8.00 [.315] DIMENSION APPLIES AT TERMINAL TIPS.
TERMINALS ARE 7.62-0.00 [.300-.000] AT MOUNTING SURFACE
- SPECIAL PACKAGING IN 22 INCH TUBES.
- UV CURED STRIPPABLE SEAL, SEE FIG 1.
- ALL MATERIALS AND FINISHES SHALL COMPLY WITH EU DIRECTIVE 2002/95/EC OF 27 JAN 2003 (ROHS)
- OBSOLETE PARTS: OBSOLETE CIS STREAMLINING PER D.RENAUD/D.SINISI
- MARKS WILL BE ADDED BY LASER MARK PROCESS.



8	N/A	22.3 [.88]	8	6-382758-8
8	N/A	14.7 [.58]	5	6-382758-5
8	4	12.2 [.48]	4	5-382758-4
9	SUPERCEDED	N/A	8	1-382758-8
9	SUPERCEDED	N/A	5	1-382758-5
	SUPERCEDED	22.3 [.88]	8	382758-8
	4	12.2 [.48]	4	382758-4
	SEAL	DIM A	NO OF POSN	TYCO PART NO.

THIS DRAWING IS A CONTROLLED DOCUMENT.		DWN	R.TALLEY	03MAR93		TE Connectivity				
DIMENSIONS: mm [INCHES]		CHK	C.WHITT	04MAR93		NAME				
TOLERANCES UNLESS OTHERWISE SPECIFIED:		APVD	J.SIDDEN	04MAR93		SWITCH ASSY, DIP, TYPE C, 7000 SERIES, SPST, SIDE ACTUATED				
0 PLC ± - 1 PLC ± - 2 PLC ± - 3 PLC ± 0.13 [.005] 4 PLC ± - ANGLES ± -		PRODUCT SPEC	-			-				
MATERIAL		FINISH			WEIGHT	SIZE	CAGE CODE	DRAWING NO	RESTRICTED TO	
HOUSING & ROCKERS: POLYESTER CONTACTS: BERYLLIUM COPPER		PLATED 0.00076 [.00030] MIN GOLD IN CONTACT AREA OVER 0.00127 [.000050] MIN. NICKEL.			-	A2	00779	C=382758	-	
CUSTOMER DRAWING					SCALE	4:1	SHEET	1 of 1	REV E	