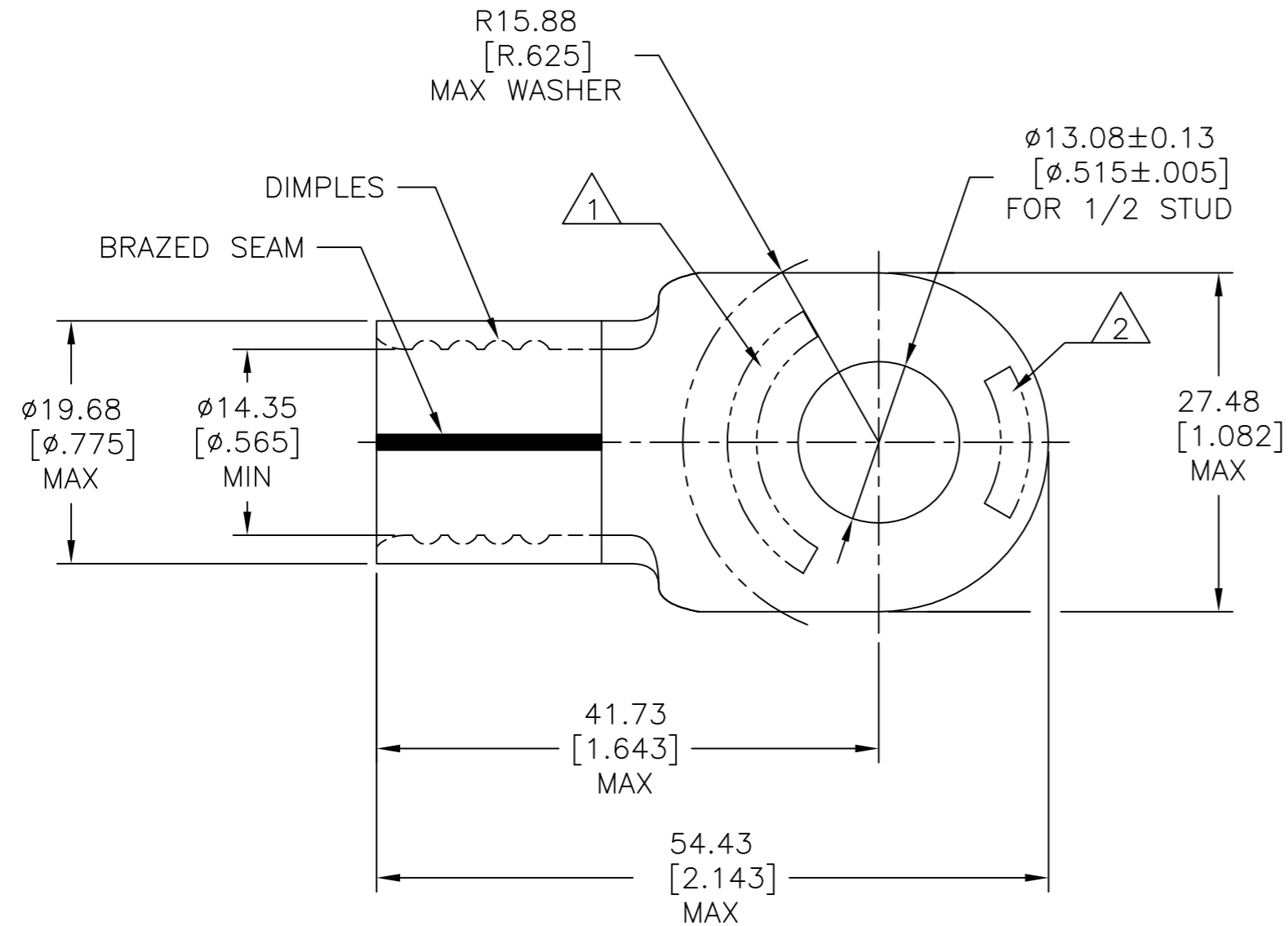


THIS DRAWING IS UNPUBLISHED. RELEASED FOR PUBLICATION
 © COPYRIGHT - TE Connectivity ALL RIGHTS RESERVED.

REVISIONS		RER			
P	LTR	DESCRIPTION	DATE	DWN	APVD
D		REVISED & REDRAWN PER 0720-0037-93	5/20/93	DKS	RER
D1		REVISED PER ECO-17-004099	29AUG2017	RS	DR



AMP WIRE RANGE	E13288 Listed
3/0 AWG SOLID OR STRANDED	3/0 AWG SOLID OR STRANDED
LR7189 Certified	MILITARY P/N AND CLASS
3/0 AWG SOLID OR STRANDED	NOT APPLICABLE

- △ 1 STAMP AMP 3/0W* APPROX AS SHOWN.
- △ 2 STAMP 150 APPROX AS SHOWN.
- 3 TONGUE MATERIAL THK: 2.31±0.08[.091±.003]

AMP INCORPORATED
CUSTOMER SERVICE SYSTEMS

MAX RECOMMENDED OPERATING TEMPERATURE:
170°C [338°F] MAX

FOR ADDITIONAL
PRODUCT INFORMATION OR
COPIES OF DRAWINGS
AND TECHNICAL DOCUMENTS

PRODUCT INFORMATION CENTER
1-800-522-6752

VOLTAGE RATING:
NOT APPLICABLE

FOR APPLICATION
TOOLING INFORMATION

TOOLING ASSISTANCE CENTER
1-800-722-1111

CIRCULAR MIL AREA:
76.3-96.3mm²[150,000-190,000] CIR MILS
SOLID OR STRANDED

FOR ORDER ENTRY

1-800-526-5142

THIS DRAWING IS A CONTROLLED DOCUMENT FOR
AMP INCORPORATED. IT IS SUBJECT TO CHANGE
AND THE CONTROLLING ENGINEERING ORGANIZATION
SHOULD BE CONTACTED FOR THE LATEST REVISION.

50	LOOSE PIECE	36929
QTY.	PACKAGE TYPE	PART NUMBER

THIS DRAWING IS A CONTROLLED DOCUMENT.		DWN DK_SCHRUM 5/20/93	TE Connectivity	
DIMENSIONS: mm [INCHES]		CHK RD HEIM 1/27/94		
TOLERANCES UNLESS OTHERWISE SPECIFIED:		APVD RE ROSER 1/27/94	NAME TERMINAL, RING TONGUE, SOLISTRAND™, 3/0 AWG	
0 PLC ± -		PRODUCT SPEC	SIZE A2	
1 PLC ± -		APPLICATION SPEC	CAGE CODE 00779	
2 PLC ± 0.20[.008]			DRAWING NO C=36929	
3 PLC ± -			RESTRICTED TO -	
4 PLC ± -			SCALE 2:1	
ANGLES ± -		WEIGHT -	SHEET 1 of 1	
MATERIAL COPPER ASTM B-152 ANNEALED		FINISH TIN PLATE 0.00254[.000100] MIN THK PER MIL-T-10727	REV D1	
CUSTOMER DRAWING				