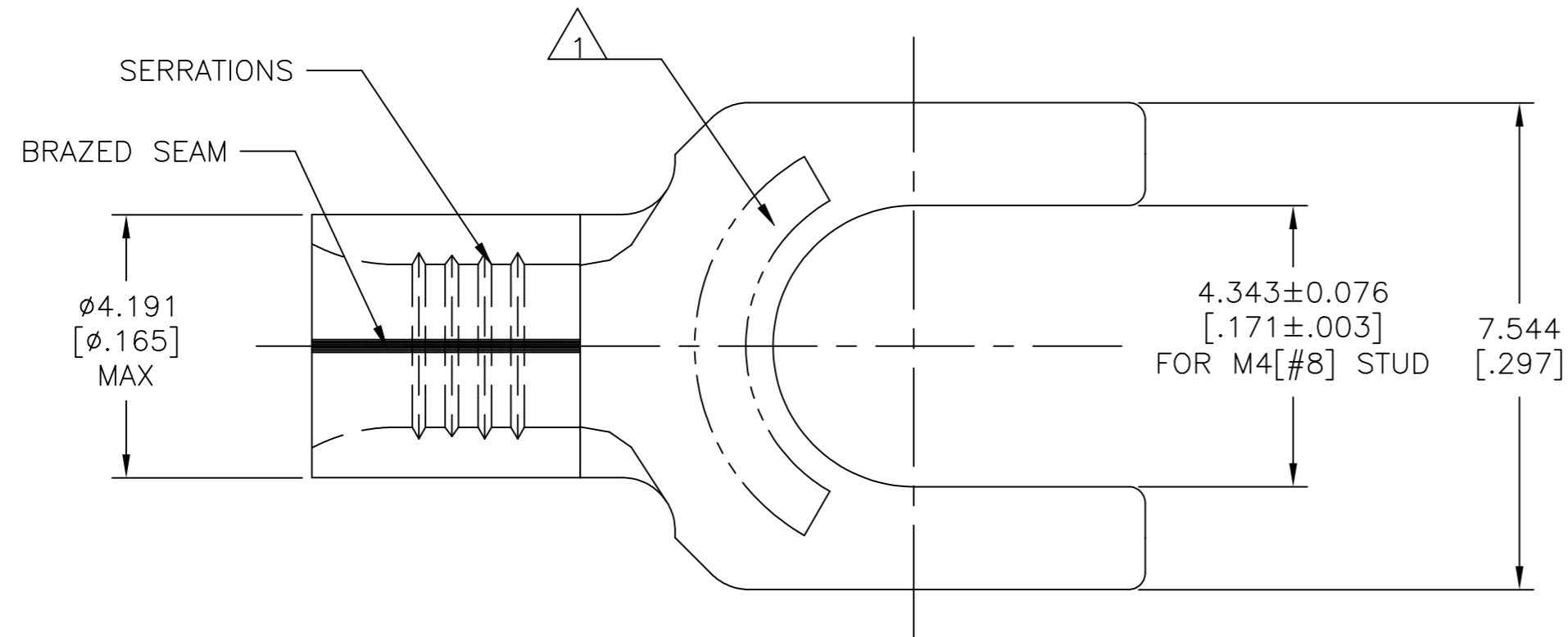


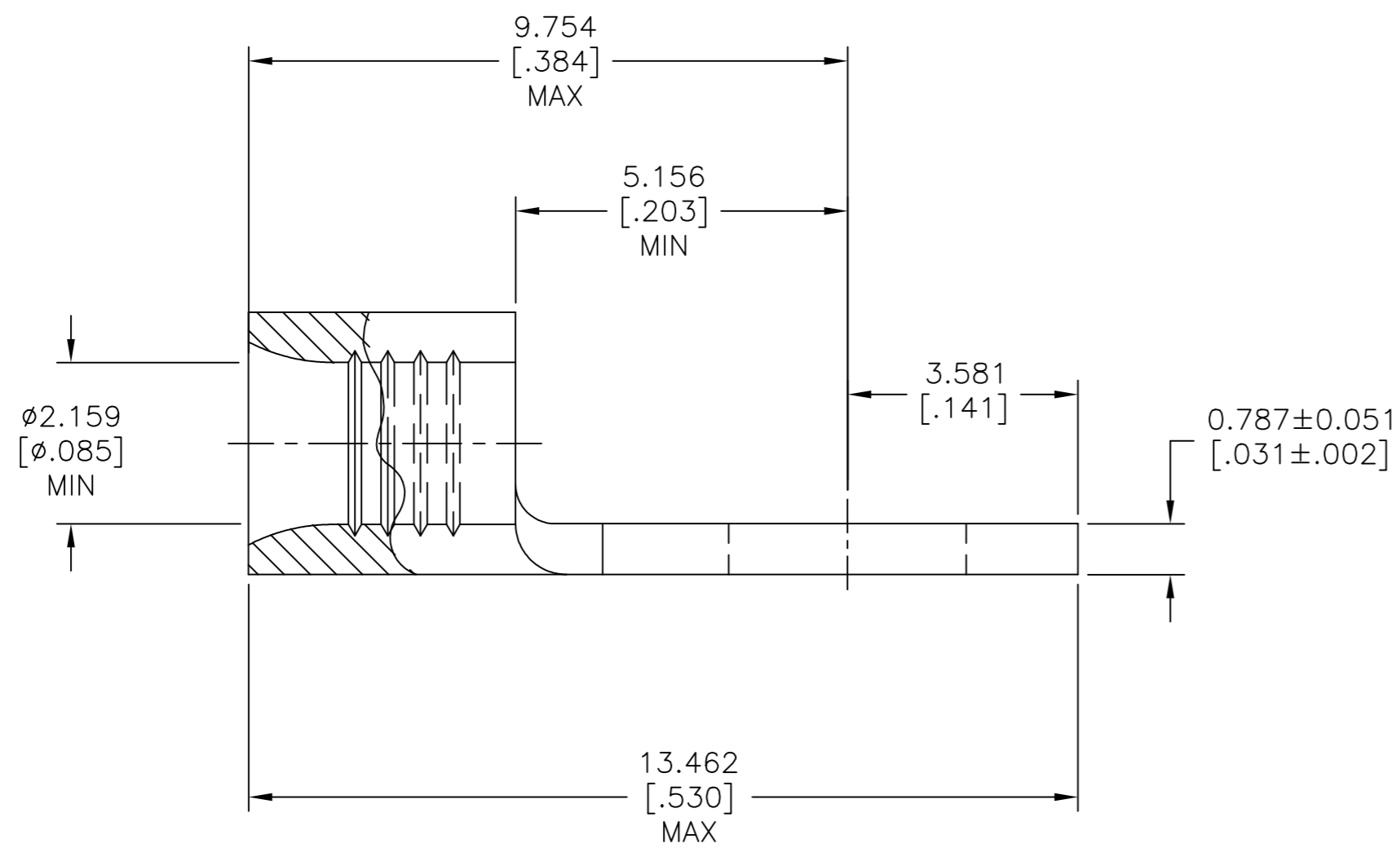
THIS DRAWING IS UNPUBLISHED. RELEASED FOR PUBLICATION
 © COPYRIGHT - TE Connectivity Ltd. ALL RIGHTS RESERVED.

P		LTR	DESCRIPTION	DATE	DWN	APVD
D1			REVISED PER ECR 09-023200	27OCT09	JR	TM
D2			REVISED PER ECO-17-008808	02FEB2018	RS	DR



AMP WIRE RANGE	UL Listed FILE E13288	SR LR7189 Certified
16-14 AWG SOLID OR STRANDED	16-14 AWG SOLID OR STRANDED	16-14 AWG SOLID OR STRANDED

- 1 STAMP AMP 16-14* APPROX AS SHOWN
- 2 COPPER PER ASTM B-152, ANNEALED
- 3 0.00254 [.000100] MIN TIN PER ASTM B-545



CUSTOMER SERVICE SYSTEMS		MAX RECOMMENDED OPERATING TEMPERATURE: 170°C [338°F] MAX
		VOLTAGE RATING: N/A
FOR ADDITIONAL PRODUCT INFORMATION OR COPIES OF DRAWINGS AND TECHNICAL DOCUMENTS	PRODUCT INFORMATION CENTER 1-800-522-6752	CIRCULAR MIL AREA: 1.04-2.62mm² [2,050-5,180] SOLID OR STRANDED
FOR APPLICATION TOOLING INFORMATION	TOOLING ASSISTANCE CENTER 1-800-722-1111	THIS DRAWING IS A CONTROLLED DOCUMENT FOR AMP INCORPORATED. IT IS SUBJECT TO CHANGE AND THE CONTROLLING ENGINEERING ORGANIZATION SHOULD BE CONTACTED FOR THE LATEST REVISION.
FOR ORDER ENTRY	1-800-526-5142	

THIS DRAWING IS A CONTROLLED DOCUMENT.	
DIMENSIONS: mm [INCHES]	TOLERANCES UNLESS OTHERWISE SPECIFIED:
0 PLC ± -	1 PLC ± -
1 PLC ± -	2 PLC ± -
2 PLC ± -	3 PLC ± 0.127[.005]
3 PLC ± -	4 PLC ± -
4 PLC ± -	ANGLES ± -
FINISH	3

1000	LOOSE PIECE	36880
QTY	PACKAGE TYPE	PART NUMBER
DWN TA BRINKMAN 1-28-93		 TE Connectivity Ltd.
CHK DA PATTERSON 1-28-93		
APVD JL MECKLEY 1-28-93		
PRODUCT SPEC		
APPLICATION SPEC		NAME
UL 486 A-B		TERMINAL, SPADE TONGUE, SOLISTRAND 16-14 AWG
SIZE	CAGE CODE	DRAWING NO
A2	00779	C=36880
WEIGHT		RESTRICTED TO
CUSTOMER DRAWING		-
SCALE	SHEET	REV
10:1	1 of 1	D2