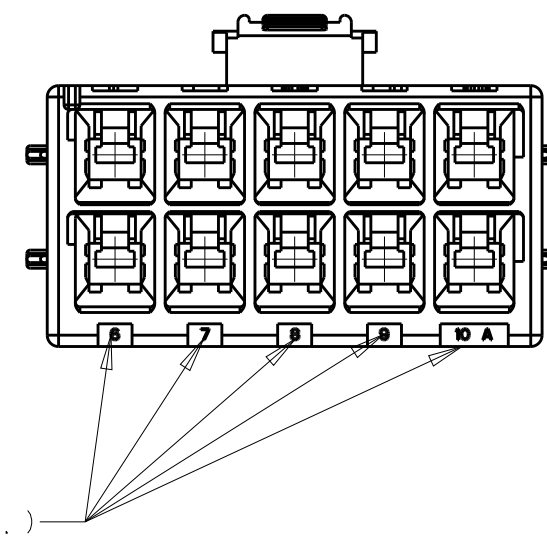
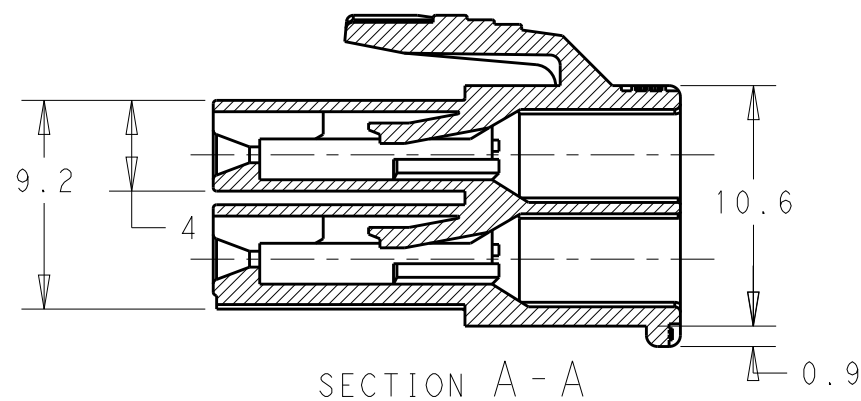
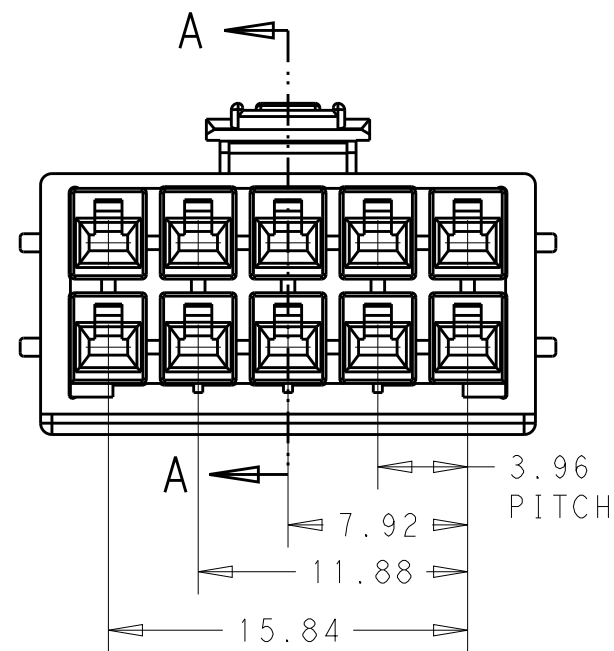
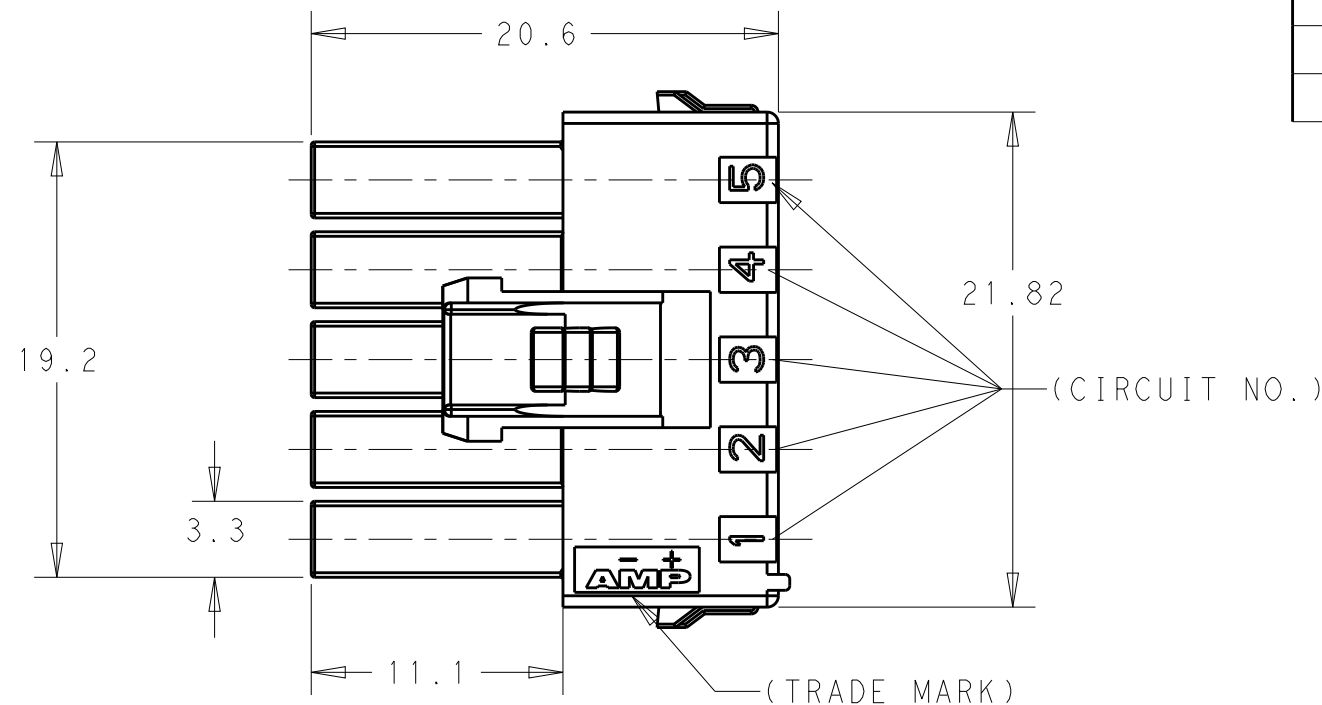


THIS DRAWING IS UNPUBLISHED. RELEASED FOR PUBLICATION 20
 © COPYRIGHT 20 BY - ALL RIGHTS RESERVED.

REVISIONS					
P	LTR	DESCRIPTION	DATE	DWN	APVD
A		RELEASED	15NOV2006	SC	JK
B		PER ECR-19-009721	01JUL2019	M.G	D.Z



BLUE	368578-6
YELLOW	368578-4
RED	368578-2
NATURAL	368578-1
COLOR	PART NO.

- NOTES:
- THIS HOUSING ACCEPTS RECEPTACLE TERMINAL:
 REC CONTACT: 177915-X (AWG20~AWG16)
 177914-X (AWG26~AWG22)
 - MATING CONN. P/N
 CAP HOUSING: 1-368579-1 (PANEL MOUNT)
 TAB CONTACT: 177917-X (AWG20~AWG16)
 177916-X (AWG26~AWG22)
 - APPLICABLE PLATE P/N: 177921-X
 - GENGEAL TOLERANCE: $\pm 0.25, \pm 3^\circ$
 - COMPLY WITH GLOW WIRE REQUIREMENT FOR PARTS OF NON-METALLIC MATERIAL SUPPORTING A CURRENT-CARRYING CONNECTION DETAILED IN IEC 60335-1, SECTION 30(GWT)

THIS DRAWING IS A CONTROLLED DOCUMENT.		DWN SC KIM		TE Connectivity	
DIMENSIONS: mm		CHK BW KANG			
		TOLERANCES UNLESS OTHERWISE SPECIFIED:		NAME PDL 10P PLUG HSG 3.96mm PITCH D/R (GWT)	
		0 PLC \pm 1 PLC \pm 2 PLC \pm 3 PLC \pm 4 PLC \pm ANGLES \pm		APVD JK SONG	
MATERIAL 5		FINISH -		PRODUCT SPEC 108-5140	
				APPLICATION SPEC 114-5175	
				WEIGHT -	
		CUSTOMER DRAWING		SIZE A3 CAGE CODE 00779 DRAWING NO. C-368578 RESTRICTED TO -	
				SCALE 2:1 SHEET 1 OF 1 REV B	