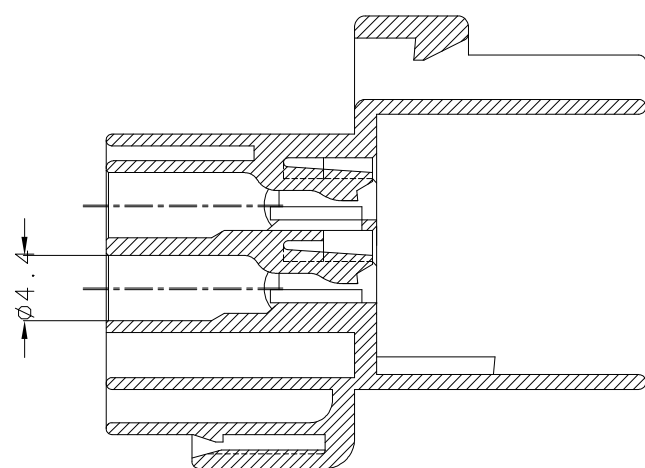
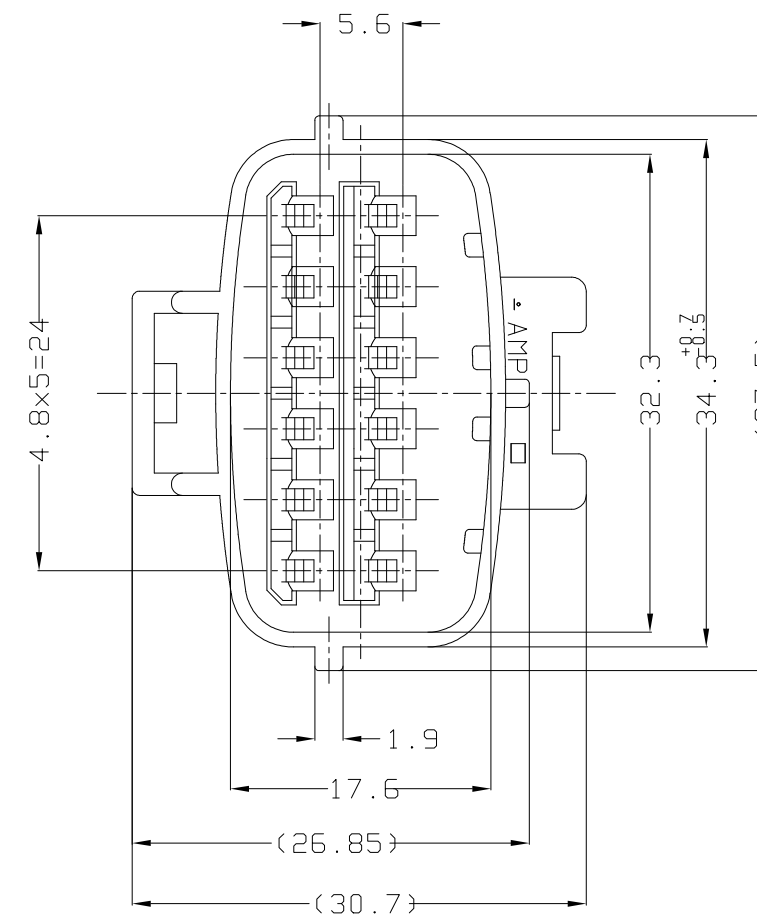
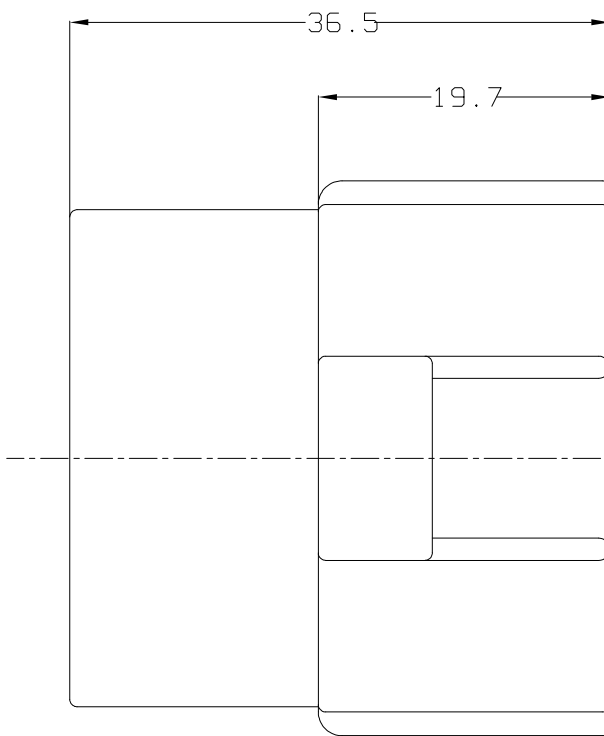
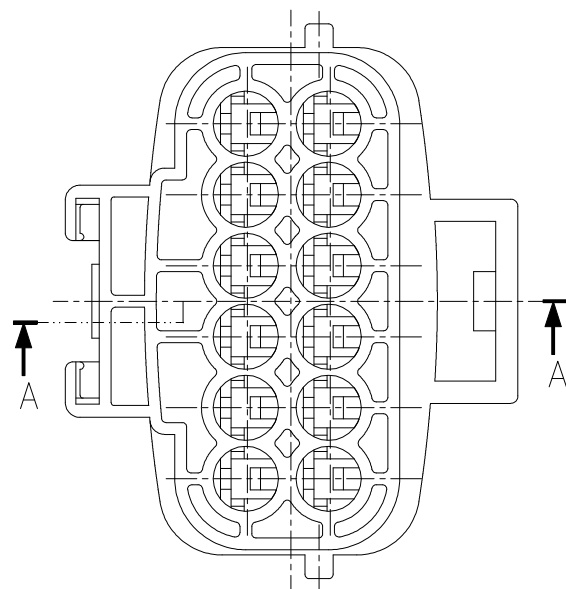


REVISIONS


P	LTR	DESCRIPTION	DATE	DWN	APVD
	0	RELEASE ECN(FC00-0062-99)	19/MAY/'99	JW	CS
	A	REVISED (ECR-14-002001)	28.MAR.'14	JM	HG
	A1	REVISED (ECR-18-011511)	19.JUL.'18	TY	YJ



SECTION A-A

- NOTE :
- FOR PLUG HOUSING (P/N 174661)
  - THIS PART MUST BE USED WITH DOUBLE PLATE (P/N 174664)

① 0-368537-1	PBT	BLACK
PART NO.	MATERIAL	COLOR

THIS DRAWING IS CONTROLLED DOCUMENT FOR AMP INCORPORATED. IT IS SUBJECT TO CHANGE AND THE CONTROLLING ENGINEERING ORGANIZATION SHOULD BE CONTACTED FOR THE LATEST REVISION.		DWN JM JEON	 TE Connectivity NAME 12POS. CAP HOUSING ECONOSEAL J-MKII CONNECTOR		
DIMENSIONS: MM		CHK JW JUNG			
TOLERANCES UNLESS OTHERWISE SPECIFIED: 0 <XX<10 ± 0.2 10<XX<30 ± 0.25 30<XX ± 0.3 ANGLES ± 3°		APVD HG CHO			
3rd ANGLE PROJECTION		PRODUCT SPEC ---			
MATERIAL PBT	FINISH	APPLICATION SPEC ---	SIZE A3	CAGE CODE 00779	DRAWING NO 368537
		WEIGHT ---	SCALE 2:1	SHEET 1 OF 1	REV A1