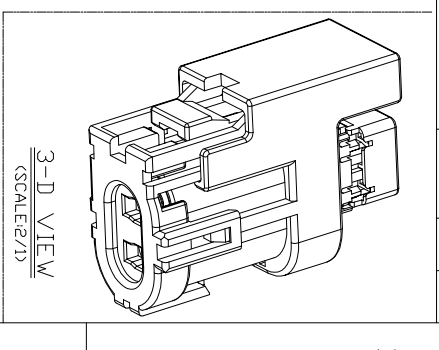
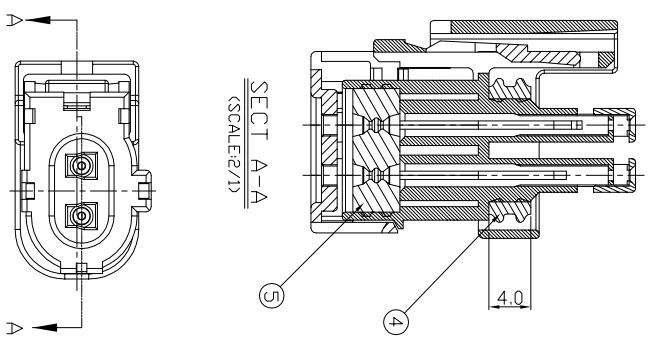
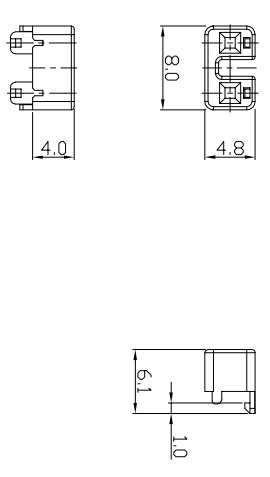
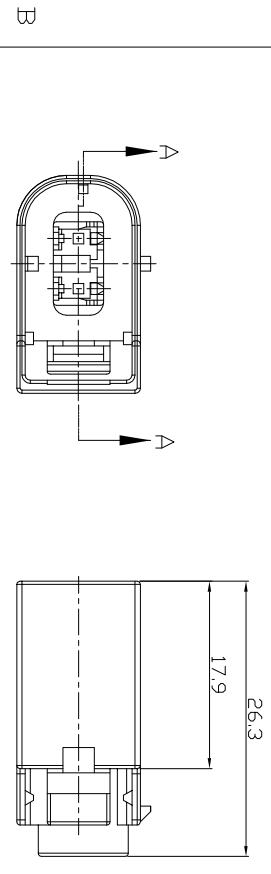
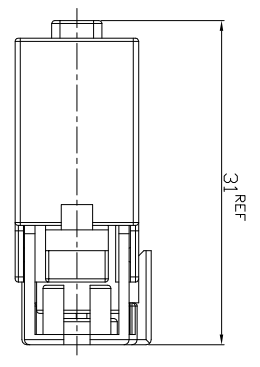
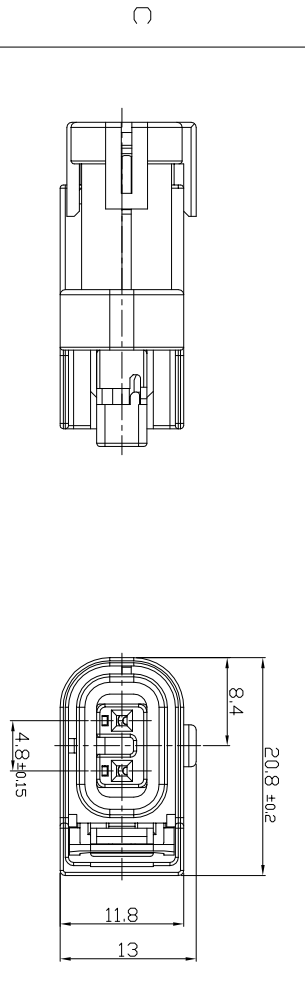
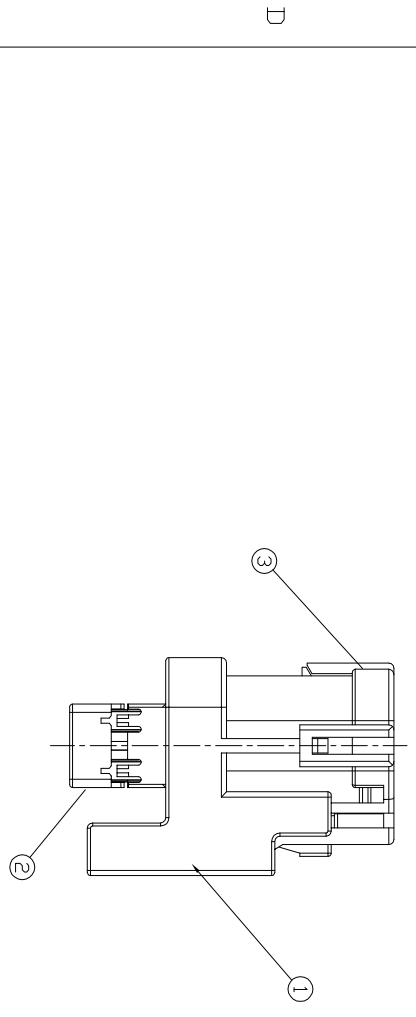
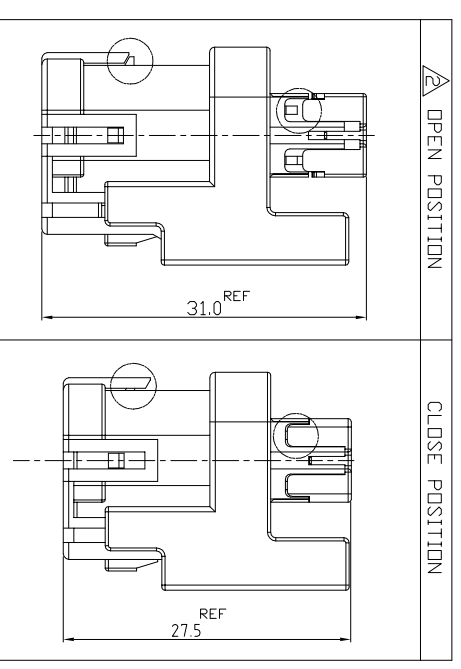


LOC	DIST	REV	DESCRIPTION	DATE	BY	APP'D
DS	-	P	LTR			
		Q	RELEASED(F C00-0158-00)	05/DEC/00	HS	CS
		A	REVISED(F C00-0092-01)	06/AUG/01	HS	CS
		B	REVISED(ECR-16-006130)	27/APR/16	YH	JK



- NOTES
- GENERAL TOLERANCE IS ±0.3
 - CONDITION OF DELIVERY : DBL IN OPEN POSITION, SEAL RETAINER IN OPEN POSITION.
 - APPLIED RECEPTACLE CONTACT P/N AND SUITABLE FOR WIRE SIZE RANGE:
- | | |
|----------------|-------------------------|
| CONTACT | CONTACT, FEMALE, 064MM |
| Part NO. | 638551-1/3 638551-2/4 |
| WIRE SIZE(AWG) | 18-20 22 |
- REC. RETENTION FORCE : 6Kgf MIN



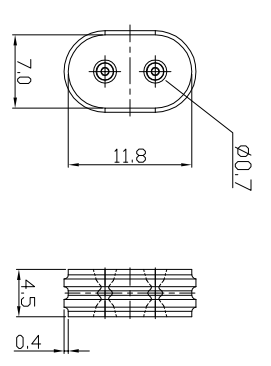
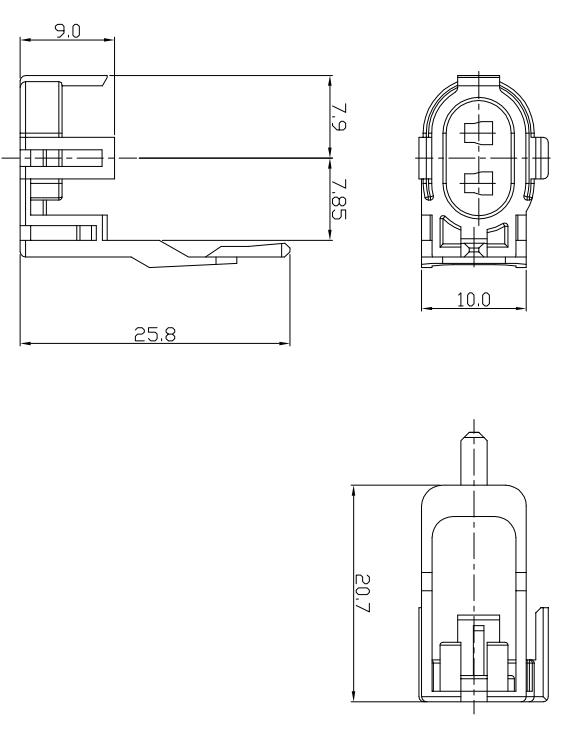
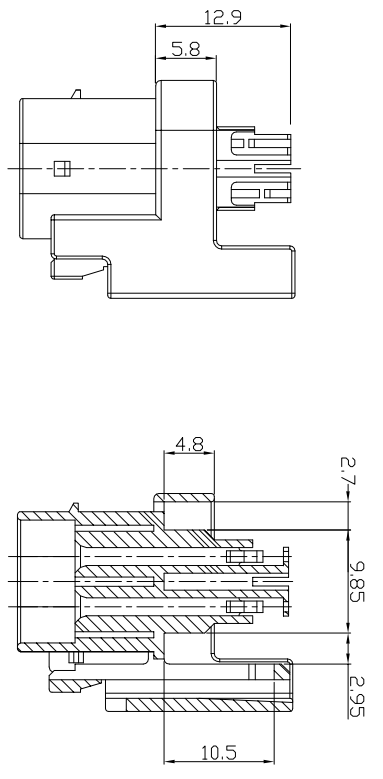
1. PLUG HSG ①

2. DBL PLATE ②

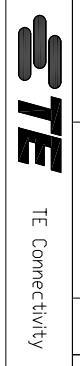
3. SEAL RETAINER

4. INNER SEAL

5. FAMILY SEAL



NO.	COLOR	MATERIAL	DESCRIPTION	REV	ASS'Y OR Q'TY
5	ORANGE	SILICON	FAMILY SEAL	Q	1
4	ORANGE	SILICON	INNER SEAL	Q	1
3	GRAY	PBT	SEAL RETAINER	Q	1
2	BLUE	PBT GF10	DBL PLATE	B	1
1	BLACK	④ PA66 GF30	PLUG HSG	A	1



INJECTOR CONNECTOR ASS'Y

DIM	YH	VA
CHK	YM	CHDI
APVD	JK	SONG
PRODUCT SPEC	108-61047	
APPLICATION SPEC	114-13006	
WEIGHT	-	
CUSTOMER DRAWING	A200779	368468

TOLERANCES UNLESS OTHERWISE SPECIFIED	FINISH
0 PLC ±	4 PLC ±
1 PLC ±	3 PLC ±
2 PLC ±	2 PLC ±
3 PLC ±	1 PLC ±
4 PLC ±	0 PLC ±

Part NO. 368468-1