

4

3

2

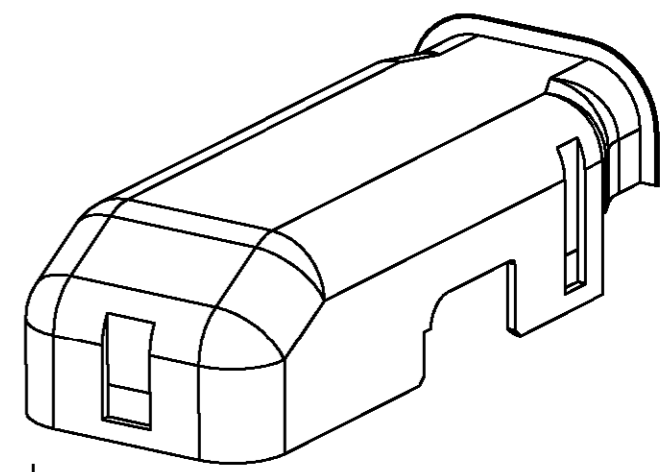
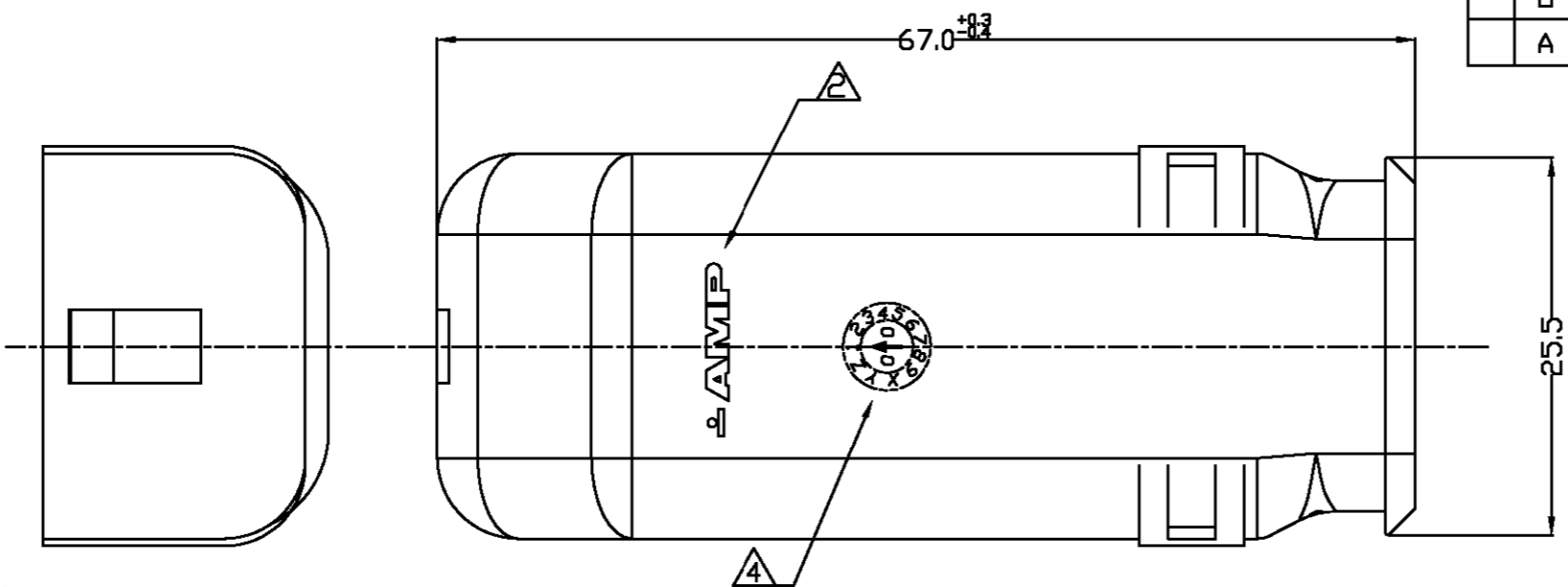
1

THIS DRAWING IS UNPUBLISHED. RELEASED FOR PUBLICATION 1997 .
 © COPYRIGHT 1997 BY AMP INCORPORATED. ALL RIGHTS RESERVED.

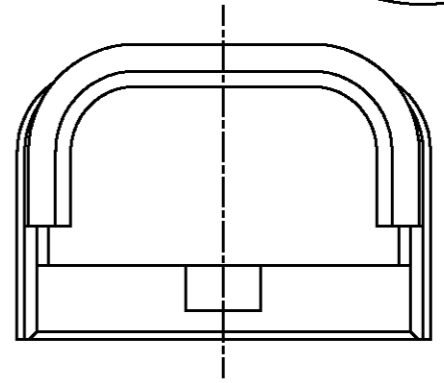
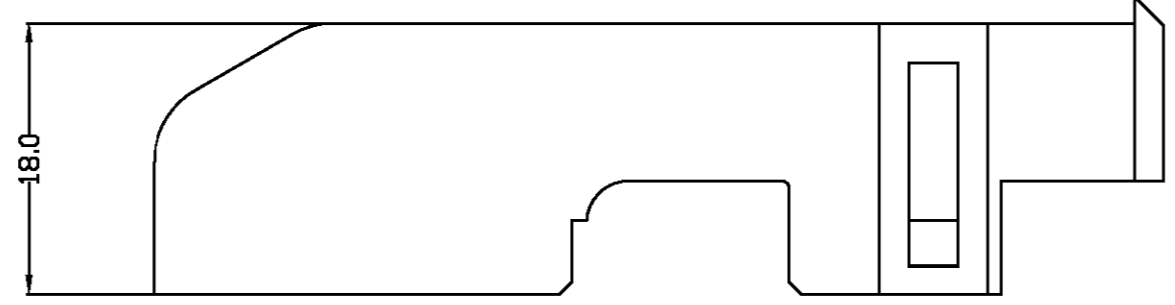
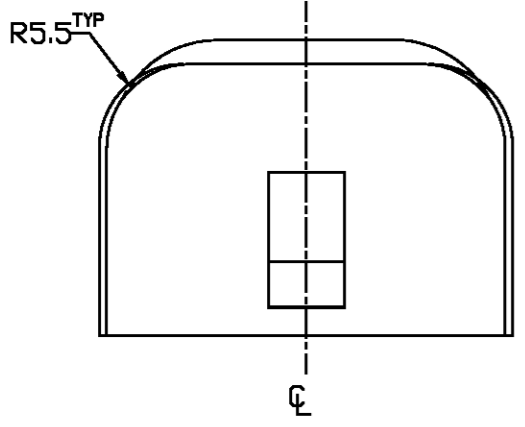
LOC DS
 DIST

| REVISIONS | | | | | |
|-----------|-----|-----------------------------|-----------|-----|------|
| P | LTR | DESCRIPTION | DATE | DWN | APVD |
| | □ | RELEASED ECN(KFC00-0078-00) | 14/JUN/00 | JW | CS |
| | A | REVISED ECN(KFC00-0029-03) | 20/FEB/03 | JW | CS |

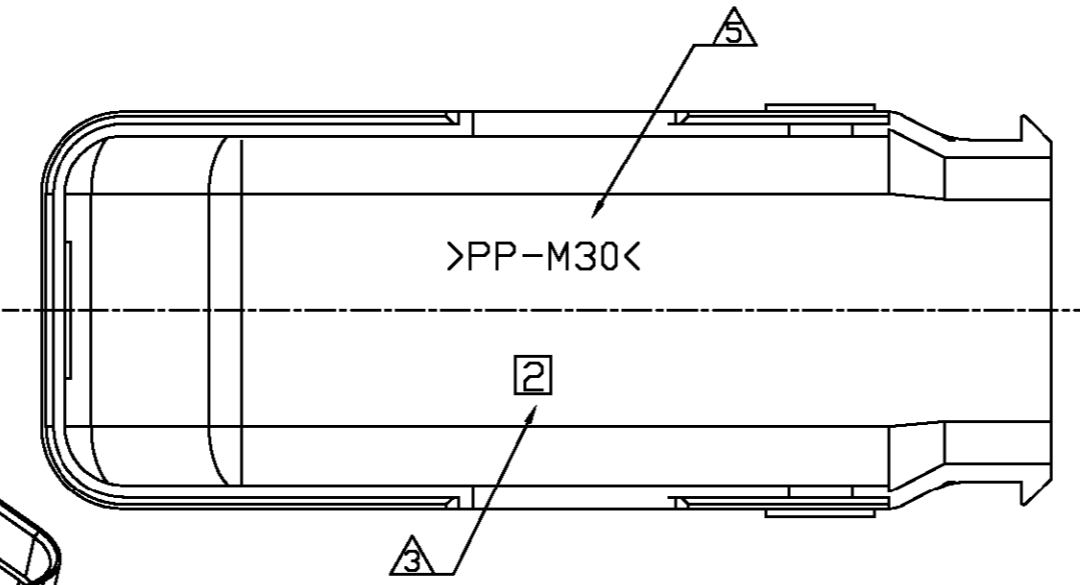
D



C



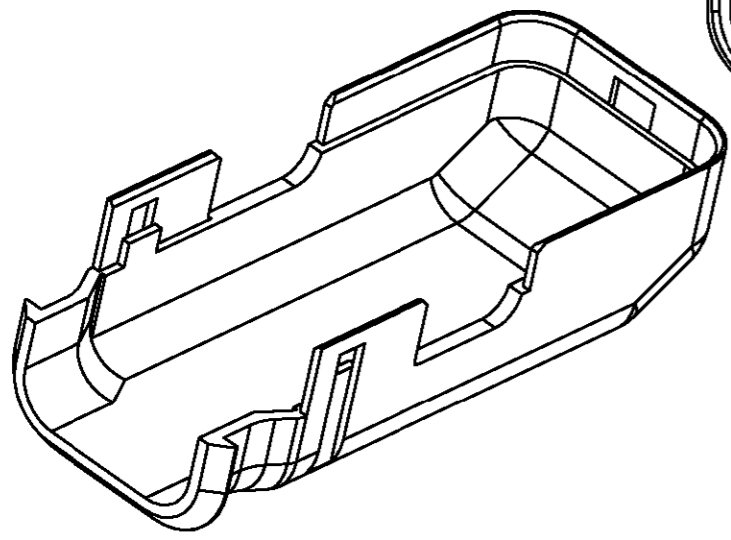
B



NOTE.
 1. APPLICABLE ASS'Y CONNECTOR FOR 64 POSITION FEMALE CONNECTOR, P/N: 368434
 △ AMP TRADE MARK.
 △ CAVITY MARK.
 △ DATE CODE.
 △ RECYCLE MARKING.

| PART NO. | MATERIAL | COLOR |
|------------|----------|-------|
| 0-368441-1 | PP-M30 | BLACK |

A



| | | | | | |
|---|--|--------------------------|--|--------------------|------------------------|
| THIS DRAWING IS CONTROLLED DOCUMENT FOR AMP INCORPORATED. IT IS SUBJECT TO CHANGE AND THE CONTROLLING ENGINEERING ORGANIZATION SHOULD BE CONTACTED FOR THE LATEST REVISION. | | DWN J.W. JUNG | AMP AMP KOREA. kyungsan, korea | | |
| DIMENSIONS: MM | | CHK B.M. JANG | | | |
| TOLERANCES UNLESS OTHERWISE SPECIFIED: 0 <XX<10 ± 0.2 10 <XX<30 ± 0.25 30 <XX ± 0.3 ANGLES ± 3° | | APVD C.S. LEE | NAME COVER HSG FOR 64POS. | | |
| 3rd ANGLE PROJECTION | | PRODUCT SPEC ---- | SIZE A3 | CAGE CODE 00779 | DRAWING NO C-368441 |
| MATERIAL SEE TABLE | | APPLICATION SPEC ---- | WEIGHT --- | SCALE 2:1 | SHEET 1 OF 1 |
| FINISH SEE TABLE | | REV A | | | |