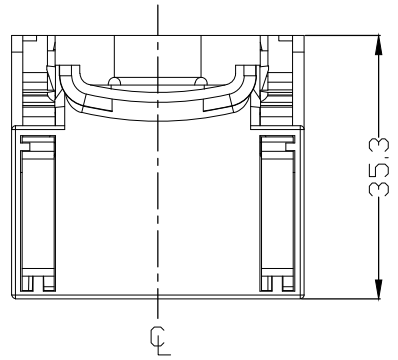
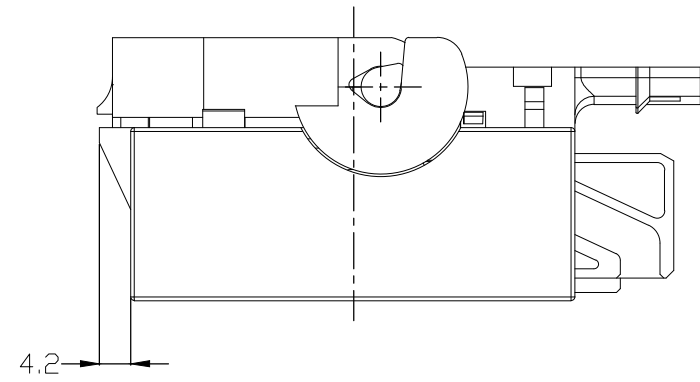
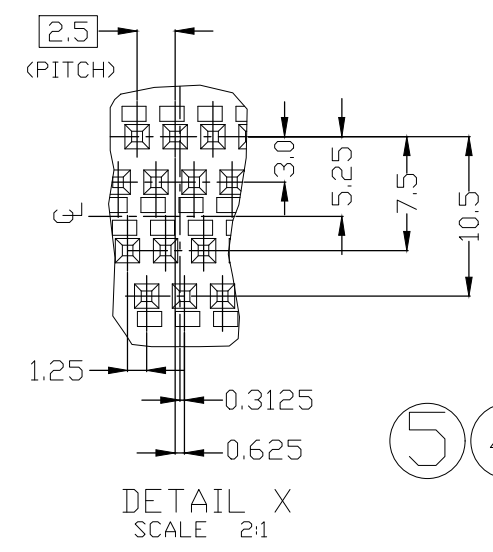
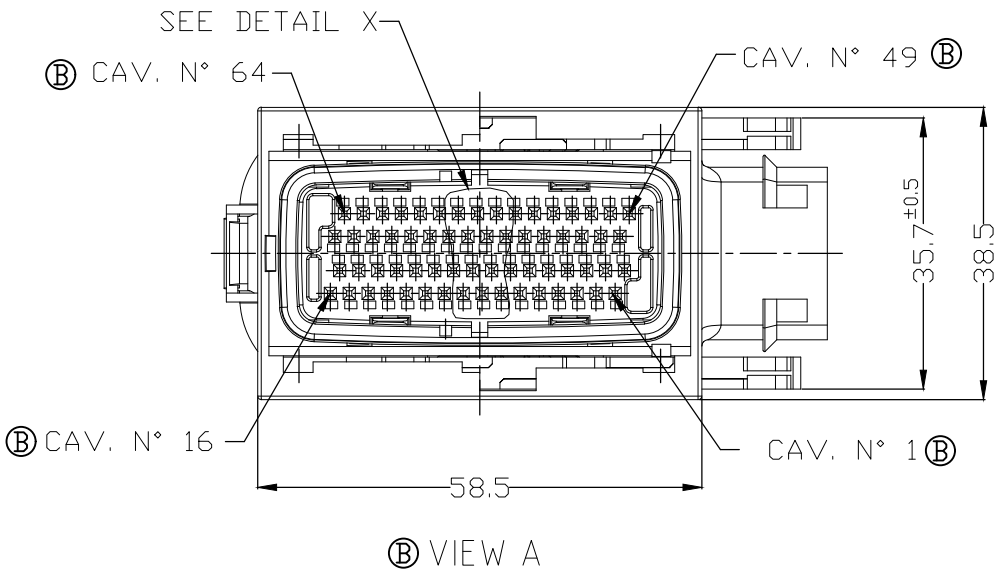
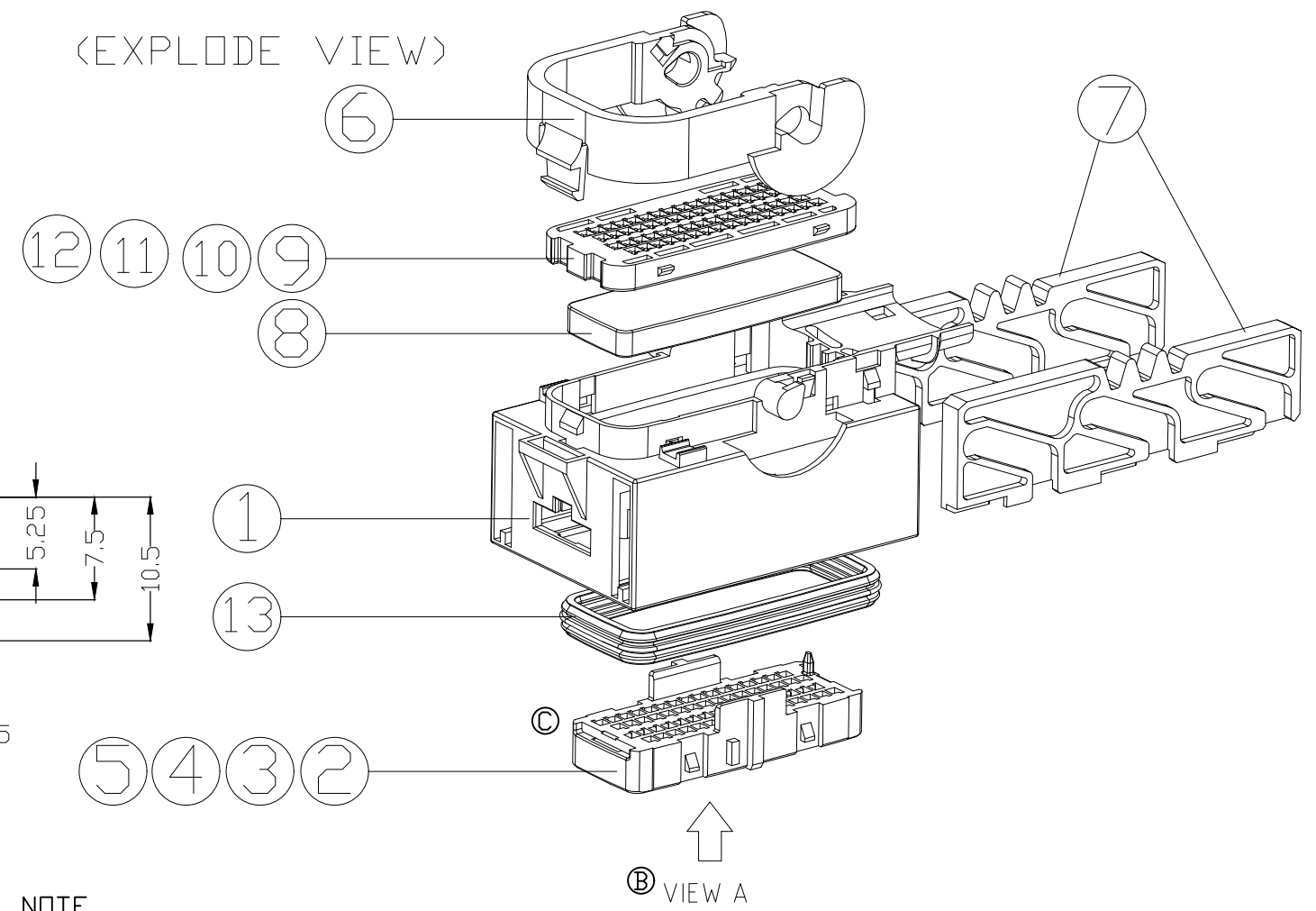


REVISIONS					
P	LTR	DESCRIPTION	DATE	DWN	APVD
	C1	REVISED ECR-20-014103	25AUG2020	PSJ	SPB



(EXPLODE VIEW)



NOTE

1. APPLICABLE TAB CONTACT P/N;

PART NO.	DESCRIPTION	WIRE SIZE(mm²)
928999-1	MICRO QUADLOK SYSTEM REC TML (SOCKET CONTACT)	0.2 - 0.5
963715-1	MICRO QUADLOK SYSTEM REC TML (SOCKET CONTACT)	0.75

- MQS CONTACT (AVX-F: 0.5mm² / AVSS-X: 0.75mm²)
- 2. APPLICABLE COVER HSG P/N; 368441-1
- 3. APPLICABLE RETAINER HSG (MQS) P/N; 368440-1 (P/N -1 AS SHOWN)

TOLERANCES UNLESS OTHERWISE SPECIFIED:

0 <XX<10	± 0.2
10 <XX<30	± 0.25
30 <XX	± 0.3
ANGLES	± 3°

ASS'Y P/N	GRAPHICAL REPRESENTATION MATING SIDE -- KEY CODE 1 & M	ASS'Y P/N	GRAPHICAL REPRESENTATION MATING SIDE -- KEY CODE 8 & K
0-368434-1	BLACK CAV. 64, CAV. 49, CAV. 16, CAV. 1	1-368434-1	GRAY CAV. 64, CAV. 49, CAV. 16, CAV. 1
OBSOLETE 0-368434-2	BLUE CAV. 64, CAV. 49, CAV. 16, CAV. 1	1-368434-2	BROWN CAV. 64, CAV. 49, CAV. 16, CAV. 1

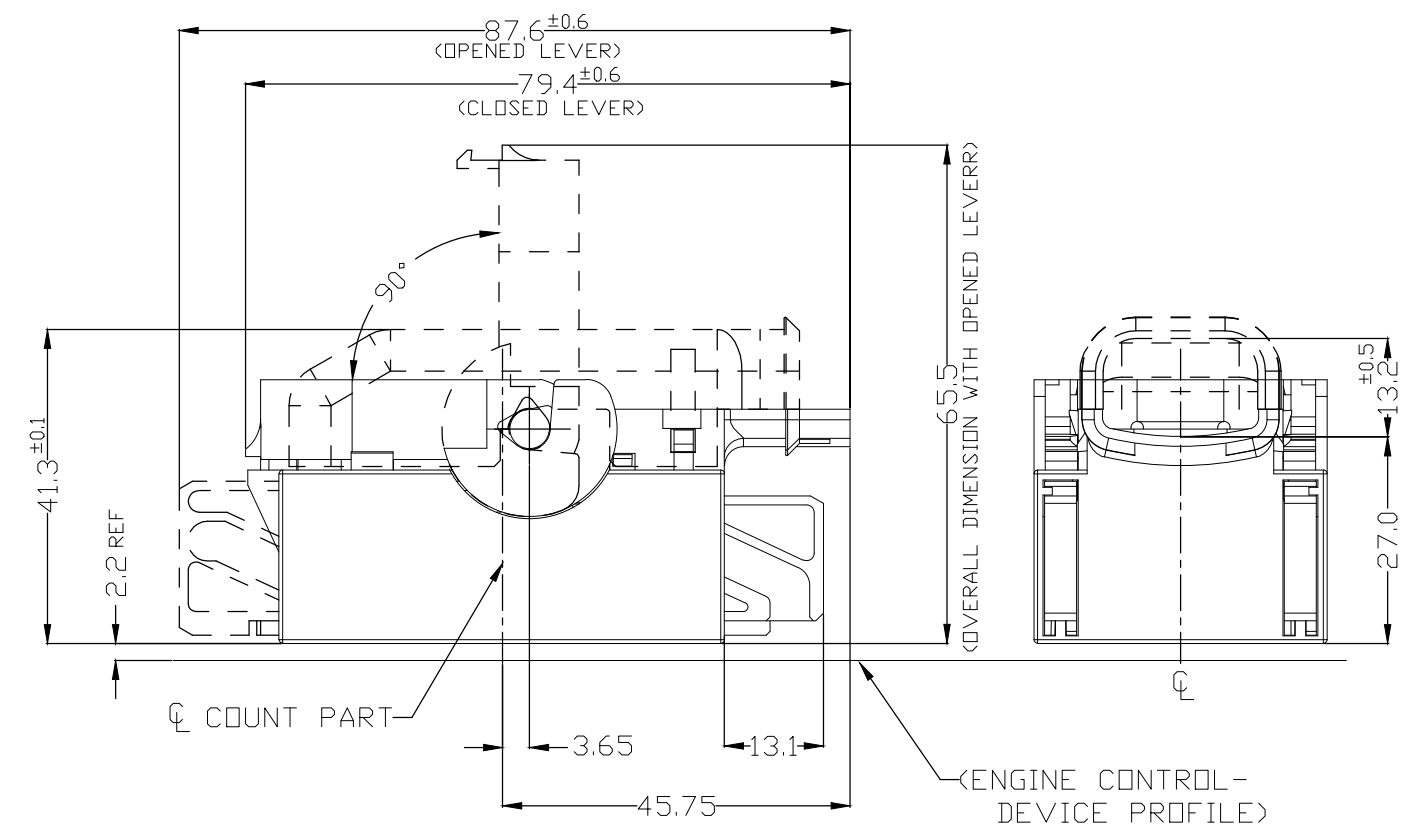
THIS DRAWING IS A CONTROLLED DOCUMENT.		DWN BH JIN	-
DIMENSIONS: mm		CHK BM JANG	-
TOLERANCES UNLESS OTHERWISE SPECIFIED:		APVD CS LEE	-
0 PLC	± -	PRODUCT SPEC	-
1 PLC	± -	APPLICATION SPEC	-
2 PLC	± -	WEIGHT	0
3 PLC	± -	CUSTOMER DRAWING	-
4 PLC	± -	SCALE	FREE
ANGLES	± -	SHEET	1 OF 2
FINISH	± -	REV	C1
MATERIAL SEE TABLE	SEE TABLE	RESTRICTED TO	-

		TE Connectivity	
64 POSITION FEMALE CONNECTOR ASS'y			
SIZE	CAGE CODE	DRAWING NO	RESTRICTED TO
A3	00779	C-368434	-

© - TE Connectivity. All Rights Reserved.

REVISIONS					
P	LTR	DESCRIPTION	DATE	DWN	APVD
-	-	SEE SHEET 1	-	-	-

(CONNECTOR MATED WITH CONTERPART VIEWS)

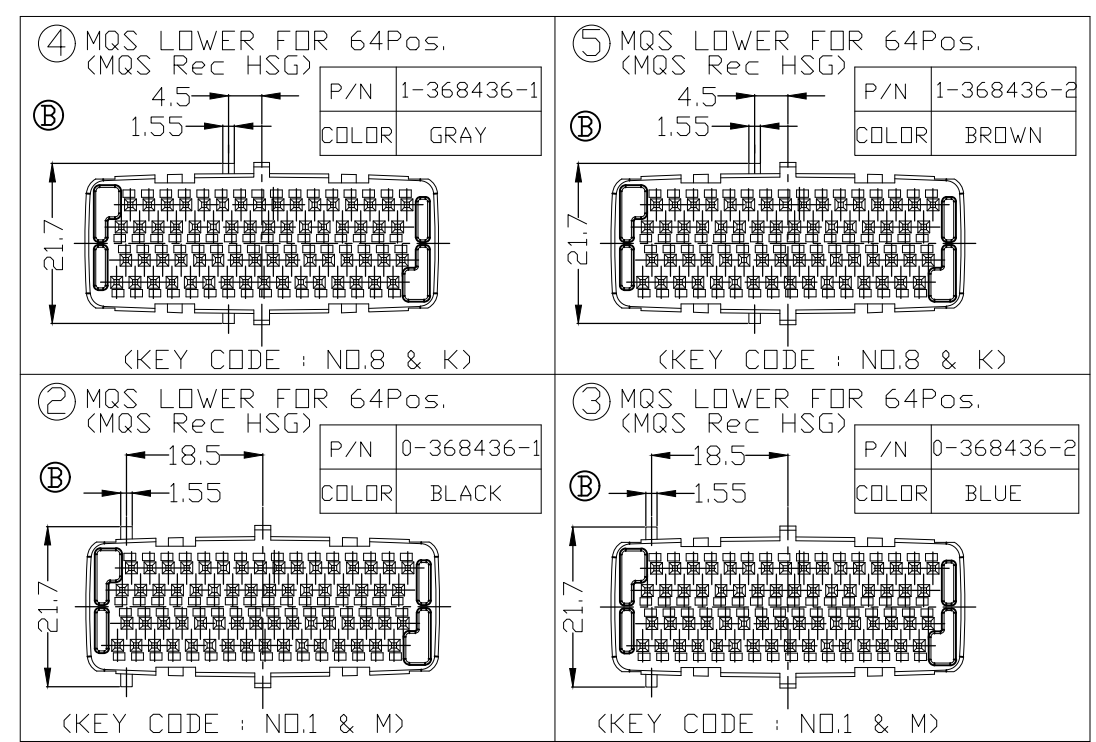


OBSOLETE

© REFER TO SHEET 1

ASS'Y P/N			
1-368434-2	1-368434-1	0-368434-2	0-368434-1

ITEM	DESCRIPTION	PART NO.	MATERIAL	COLOR	ASS'Y FOR Q'TY			
13	INNER SEAL FOR 64Pos.	0-368937-1	SILICON	ORANGE	1	1	1	1
12	GEL GROMMET RETAINER HSG FOR 64Pos.	1-368439-2	PBT - GF15	BROWN	1			
11	GEL GROMMET RETAINER HSG FOR 64Pos.	1-368439-1	PBT - GF15	GRAY		1		
10	GEL GROMMET RETAINER HSG FOR 64Pos.	0-368439-2	PBT - GF15	BLUE			1	
9	GEL GROMMET RETAINER HSG FOR 64Pos.	0-368439-1	PBT - GF15	BLACK				1
8	GEL GROMMET SEAL FOR 64Pos.	0-368936-1	GEL	BLUE	1	1	1	1
7	SLIDE HSG FOR 64Pos.	0-368438-1	PBT - GF35	GRAY	2	2	2	2
6	LEVER HSG FOR 64Pos.	0-368437-1	PBT - GF35	BLACK	1	1	1	1
5	MQS LOWER FOR 64Pos. (MQS Rec HSG) (KEY CODE : NO.8 & K)	1-368436-2	PBT - GF20	BROWN	1			
4	MQS LOWER FOR 64Pos. (MQS Rec HSG) (KEY CODE : NO.8 & K)	1-368436-1	PBT - GF20	GRAY		1		
3	MQS LOWER FOR 64Pos. (MQS Rec HSG) (KEY CODE : NO.1 & M)	0-368436-2	PBT - GF20	BLUE			1	
2	MQS LOWER FOR 64Pos. (MQS Rec HSG) (KEY CODE : NO.1 & M)	0-368436-1	PBT - GF20	BLACK				1
1	MQS BODY UPPER FOR 64Pos. (UPPER HARF)	0-368435-1	PBT - GF15	BLACK	1	1	1	1



THIS DRAWING IS A CONTROLLED DOCUMENT.

DIMENSIONS: mm

TOLERANCES UNLESS OTHERWISE SPECIFIED:

0 PLC	± -
1 PLC	± -
2 PLC	± -
3 PLC	± -
4 PLC	± -
ANGLES	± -

MATERIAL: SEE TABLE

FINISH: SEE TABLE

DWN: BH JIN

CHK: -

APVD: -

PRODUCT SPEC: -

APPLICATION SPEC: -

WEIGHT: -

CUSTOMER DRAWING

SCALE: FREE

SHEET: 2 OF 2

REV: C1

STE TE Connectivity

64 POSITION FEMALE CONNECTOR ASS'y

SIZE: A3

CAGE CODE: 00779

DRAWING NO: C-368434

RESTRICTED TO: -