

4

3

2

1

THIS DRAWING IS UNPUBLISHED.

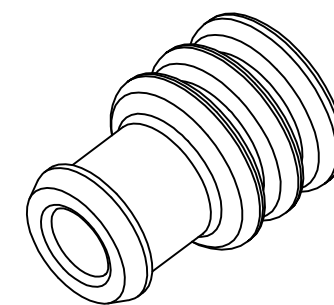
RELEASED FOR PUBLICATION

© COPYRIGHT

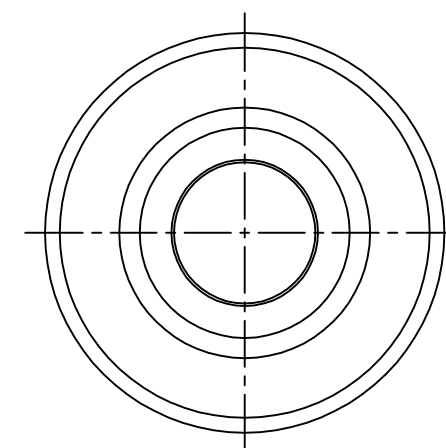
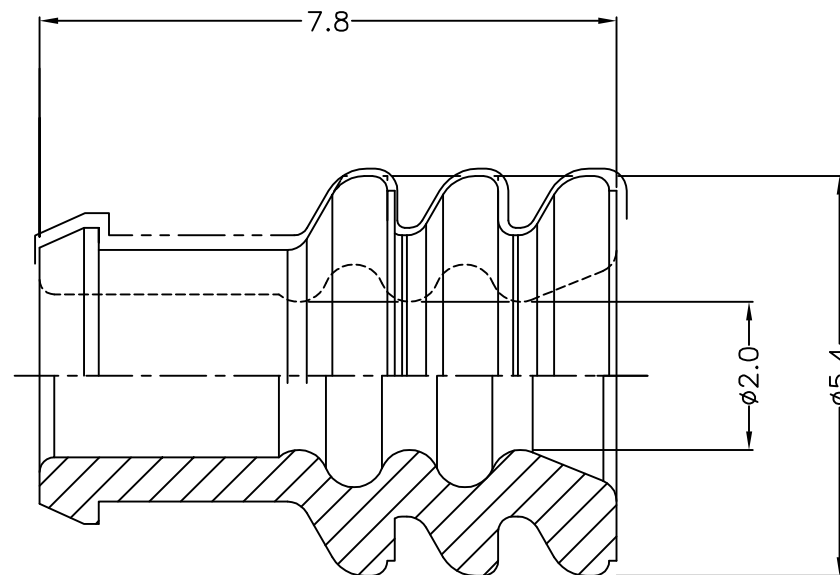
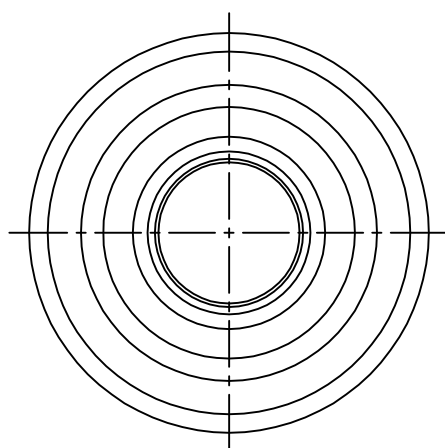
BY TYCO ELECTRONICS CORPORATION. ALL RIGHTS RESERVED.

REVISIONS

P	LTR	DESCRIPTION	DATE	DWN	APVD
	O	RELEASED(FC00-0048-03)	04,APR,'03	HS	CS
	A	RELEASED(ECR-06-026510)	10,NOV,'06	BH	JK



3D-VIEW(SCALE5:1)



NOTES

- 1. MATERIAL: SILICONE 50'±5' SHORE 'A', WITH 5% OIL COLOR: GRAY
- 2. APPLICABLE INSULATION DIA: 2.8-3.2mm

GRAY	SILICONE	368299-1	O
COLOR	MATERIAL	P/N	REV.

<small>THIS DRAWING IS A CONTROLLED DOCUMENT FOR TYCO ELECTRONICS CORPORATION IT IS SUBJECT TO CHANGE AND THE CONTROLLING ENGINEERING ORGANIZATION SHOULD BE CONTACTED FOR THE LATEST REVISION.</small>		DWN BH LEE			
		CHK YM CHOI			
DIMENSIONS: MM 		TOLERANCES UNLESS OTHERWISE SPECIFIED: 0 <XX<10 10<XX<30 ± 0.3 30<XX ANGLES ± 3°		NAME APVD JK SONG PRODUCT SPEC APPLICATION SPEC	
MATERIAL SEE NOTE		FINISH //		SIZE CAGE CODE DRAWING NO RESTRICTED TO A3 00779 C- 368299	
				SCALE 10/1 SHEET 1 OF 1 REV A	