

THIS DRAWING IS UNPUBLISHED.

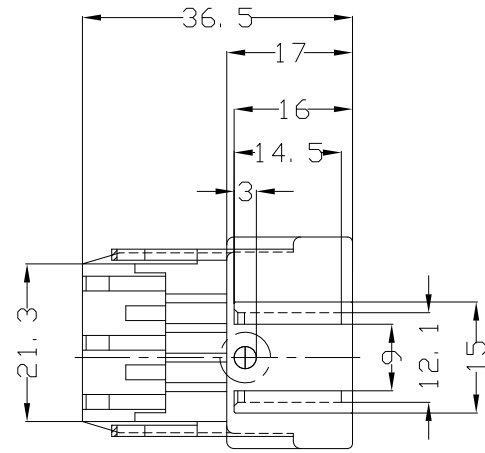
RELEASED FOR PUBLICATION

© COPYRIGHT BY TYCO ELECTRONICS CORPORATION, ALL RIGHTS RESERVED.

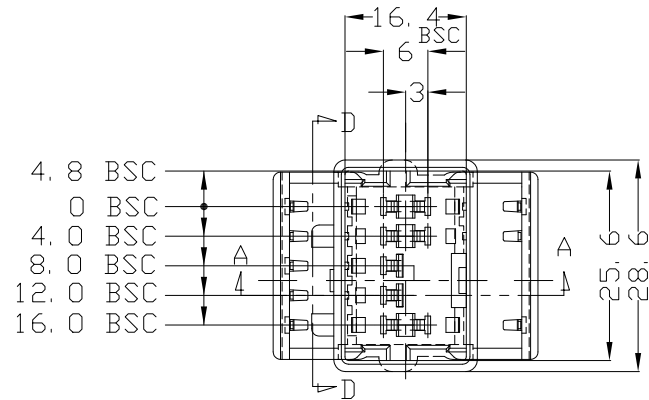
LOC DS DIST -

REVISIONS

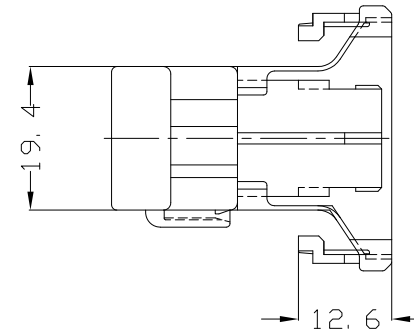
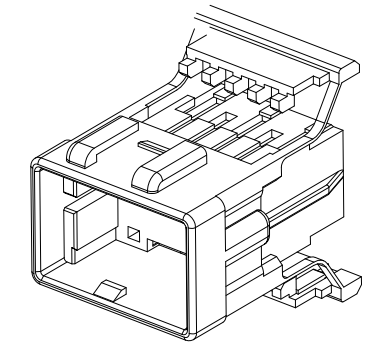
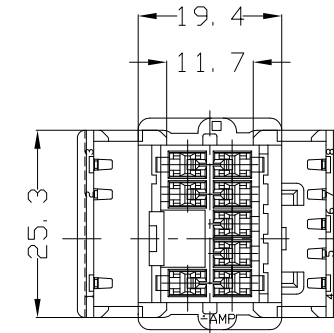
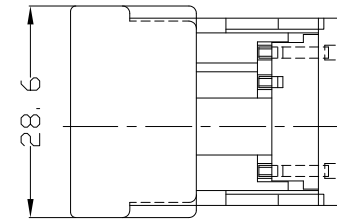
P	LTR	DESCRIPTION	DATE	DWN	APVD
A		REVISED ECN (FC00-0011-99)	21.JAN.'99	JW	CS
A1		REVISED (ECR-08-030171)	05.DEC.'08	KT	HG



SECTION D-D



SECTION A-A
(SCALE: 2-1)



NOTE.

1. TO BE MATED WITH PLUG HSG SMOOTHLY.
2. APPLIED CONTACT P/N ; 368086/368087/368088
3. APPLIED PLUG HSG P/N ; 1-368176-1

NATURAL	PBT	1-368175-1
COLOR	MATERIAL	P/N

THIS DRAWING IS A CONTROLLED DOCUMENT FOR TYCO ELECTRONICS CORPORATION. IT IS SUBJECT TO CHANGE AND THE CONTROLLING ENGINEERING ORGANIZATION SHOULD BE CONTACTED FOR THE LATEST REVISION.

DIMENSIONS: MM	TOLERANCES UNLESS OTHERWISE SPECIFIED: 0 <XX<10 ± 0.2 10<XX<30 ± 0.25 30<XX ± 0.3 ANGLES ± 3°
-------------------	---

MATERIAL SEE TABLE	FINISH
-----------------------	--------

DWN KT JUNG	Tyco Electronics	AMP KOREA, Kyungsan, Korea		
CHK JW JUNG				
APVD HG CHD				
PRODUCT SPEC -				
APPLICATION SPEC -	NAME .090 MLC 8P CAP HSG			
WEIGHT -	SIZE A3	CAGE CODE 00779	DRAWING NO 368175	RESTRICTED TO -

CUSTOMER DRAWING	SCALE 1/1	SHEET 1 OF 1	REV A1
------------------	-----------	--------------	--------