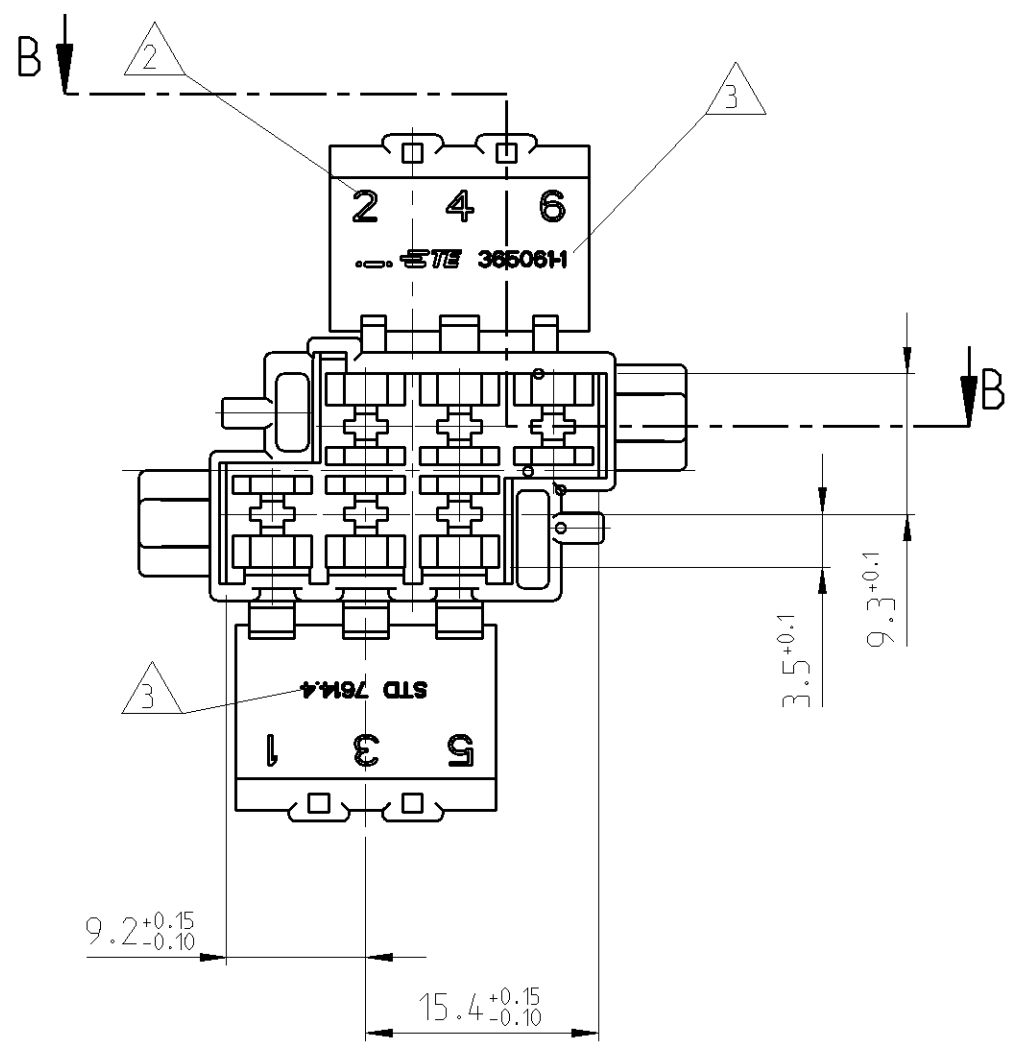
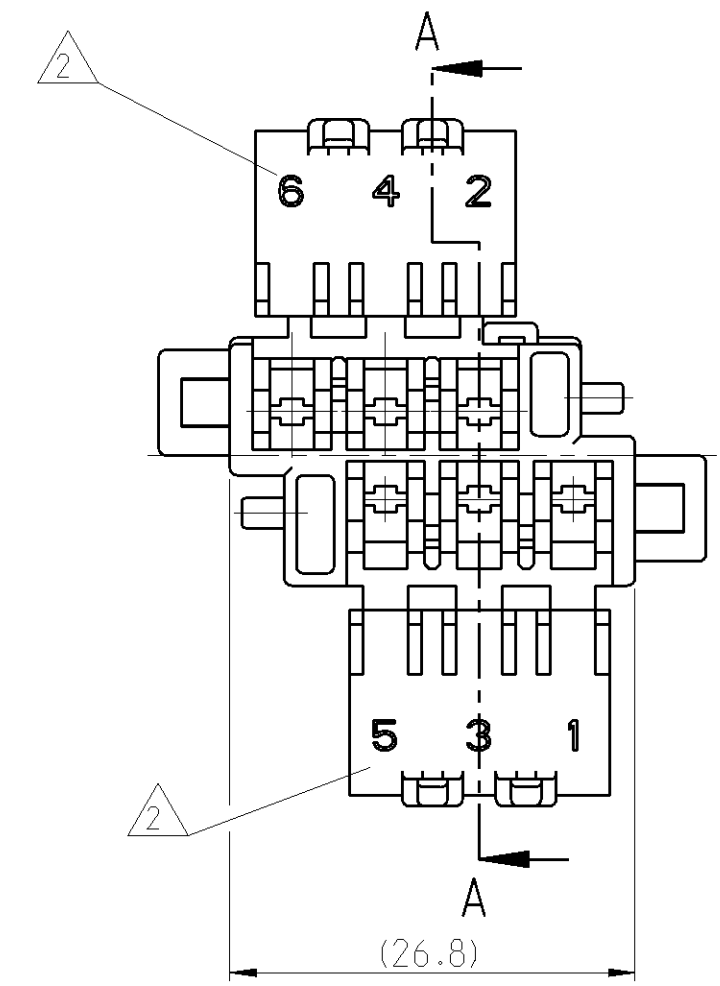
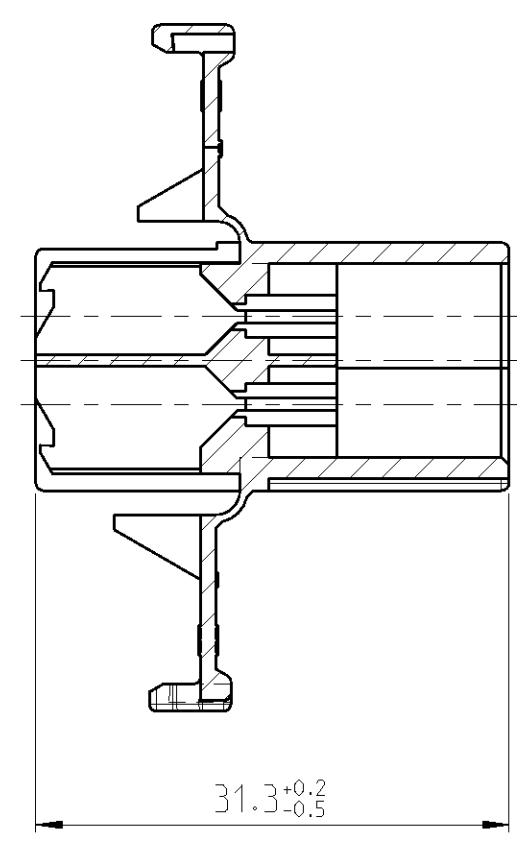


THIS DRAWING IS UNPUBLISHED. RELEASED FOR PUBLICATION 2011
 © COPYRIGHT 2011 ALL RIGHTS RESERVED.

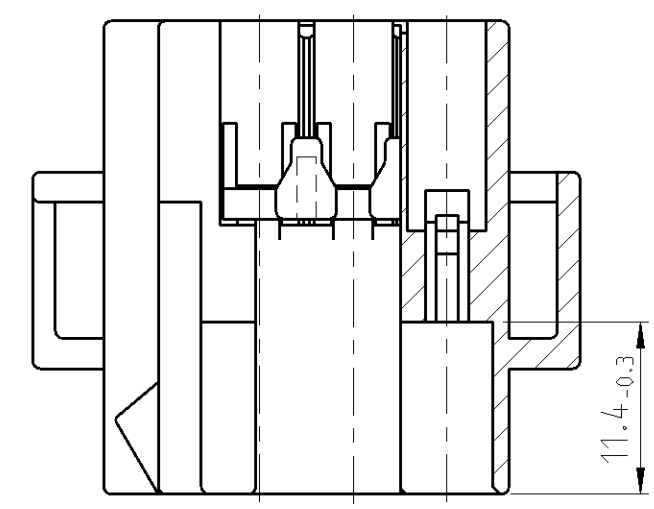
LOC	DIST	REVISIONS			
P	LTR	DESCRIPTION	DATE	DWN	APVD
AL	2	F1	ECR 12-004643	17APR2012	XP RS



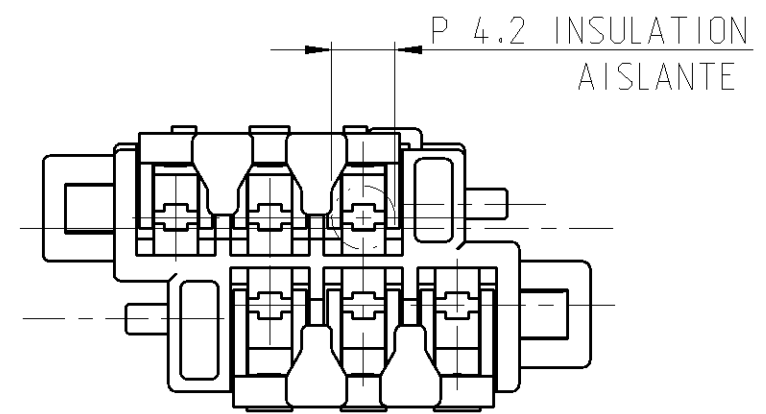
Seccion A-A
SECTION



Seccion B-B
SECTION



DETALLE CAJA CON BISAGRA CERRADA
HOUSING WITH CLOSED FLAP



1. MATERIAL Y COLORES HAN DE ESTAR LIBRES DE CADMIO
MATERIAL AND COLORS ARE FREE OF CADMIUM

2. ALTURA LETRA 2
CHARACTER HEIGHT 2

3. ALTURA LETRA 1
CHARACTER HEIGHT 1

4. USAR CON 365062
FITTING WITH 365062

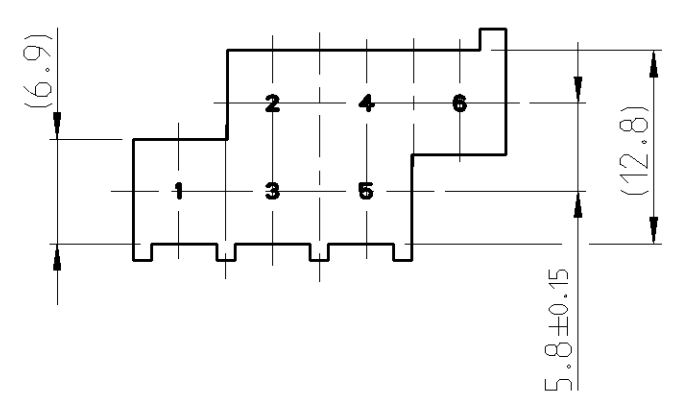
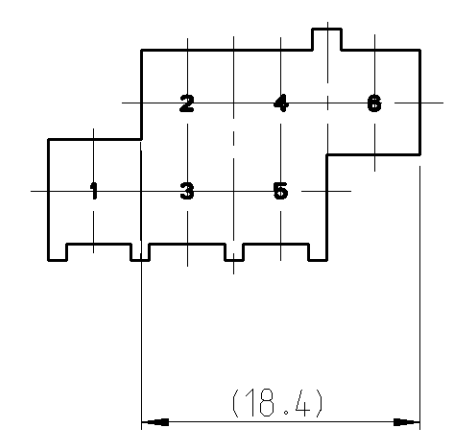
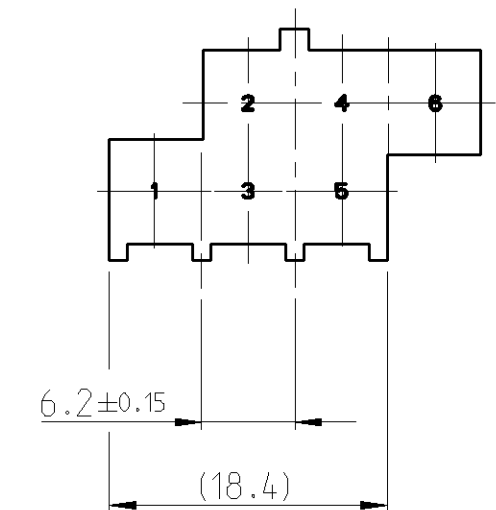
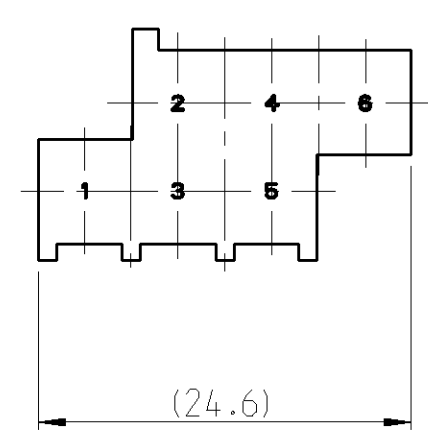
5. LAS PIEZAS DEBEN IR EMPAQUETADAS HERMETICAMENTE
Y SU CONTENIDO DE HUMEDAD DEBE SER 2.5±1%
PARTS MUST BE AIR TIGHT PACKAGED,
MOISTURE CONTENT MUST BE 2.5±1%

CODIGO 1
CODING

CODIGO 2
CODING

CODIGO 3
CODING

CODIGO 4
CODING



CODE NO.	PART NO.	MATERIAL	COLOUR
CODE 4	365061-4	PA 6.6	YELLOW
CODE 3	365061-3	PA 6.6	BLACK
CODE 2	365061-2	PA 6.6	GREY
CODE 1	365061-1	PA 6.6	NATUR

THIS DRAWING IS A CONTROLLED DOCUMENT.

DIMENSIONS: mm	TOLERANCES UNLESS OTHERWISE SPECIFIED: 0 PLC ± 1 PLC ± 2 PLC ± ±0.2 3 PLC ± 4 PLC ± ANGLES ±° FINISH	DWN R. ULLRICH 22NOV1984 CHK J. PASCUAL 15JUN1993 APVD L. BATILLO 15JUN1993	TE Connectivity NAME 6 POS. TAB-HOUSING
MATERIAL SEE PART LIST	PRODUCT SPEC APPLICATION SPEC WEIGHT CUSTOMER DRAWING	SIZE A2 CAGE CODE 00779 DRAWING NO. C-365061	

SCALE 5:1 SHEET 1 OF 1 REV F1