

REVISIONS					
P	LTR	DESCRIPTION	DATE	DWN	APVD
	K	PRODUCTION ISSUE	30JAN2019	PNT	MT

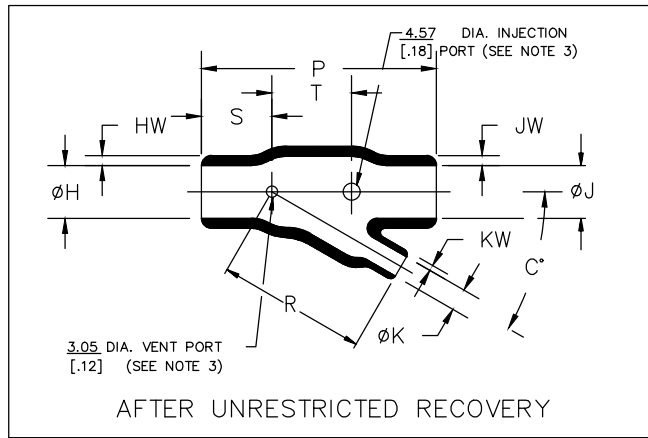
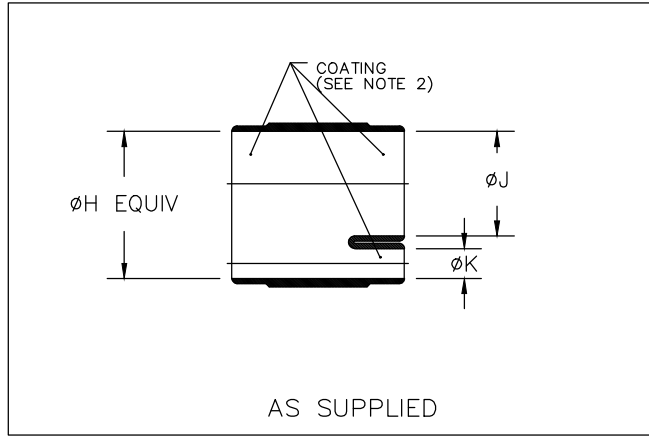


TABLE OF DIMENSIONS

PART NUMBER	H & J		K		P $\pm 10\%$ b	R $\pm 10\%$ b	S $\pm 10\%$ b	T $\pm 10\%$ b	HW $\pm 20\%$ b	JW $\pm 20\%$ b	KW $\pm 20\%$ b	C°	
	Min	Max	Min	Max								$\pm 10\%$	$\pm 5\%$
	a	b	a	b								a	b
362A014	30.5 [1.20]	15.7 [.62]	20.0 [.80]	10.7 [.42]	82.6 [3.25]	50.8 [2.00]	31.8 [1.25]	21.1 [.83]	2.5 [.10]	2.5 [.10]	1.8 [.07]	10	30
362A024	35.6 [1.40]	18.3 [.72]	15.2 [.60]	8.6 [.34]	63.5 [2.50]	41.1 [1.62]	19.1 [.75]	22.4 [.88]	2.5 [.10]	2.5 [.10]	1.5 [.06]	10	30
362A114	35.6 [1.40]	18.8 [.74]	10.2 [.40]	5.3 [.21]	61.0 [2.40]	35.6 [1.40]	19.1 [.75]	21.3 [.84]	2.8 [.11]	2.8 [.11]	1.5 [.06]	10	30

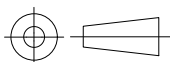
RELEASED FOR PUBLICATION

ALL RIGHTS RESERVED.

THIS DRAWING IS UNPUBLISHED.

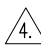
© COPYRIGHT - TE Connectivity Ltd.

DIMENSIONS: mm [INCHES]	DWN	30JAN2019	MATERIAL	SEE SHEET 2	FINISH	-
	CHK	30JAN2019	TE Connectivity Ltd.			
TOLERANCES UNLESS OTHERWISE SPECIFIED:	APVD	30JAN2019				
	PRODUCT SPEC	-	NAME	TRANSITION, 30 DEGREES, SIDE BREAKOUT THINWALL		
0 PLC ± -	APPLICATION SPEC	-	SIZE	A4	CAGE CODE	00779
1 PLC ± -	WEIGHT	-	DRAWING NO	G 362A014-XX-0THRU114-XX-0		RESTRICTED TO
2 PLC ± -	CUSTOMER DRAWING			SCALE	DNS	SHEET 1 OF 2
3 PLC ± -				REV	K	
4 PLC ± -						
ANGLES ± -						

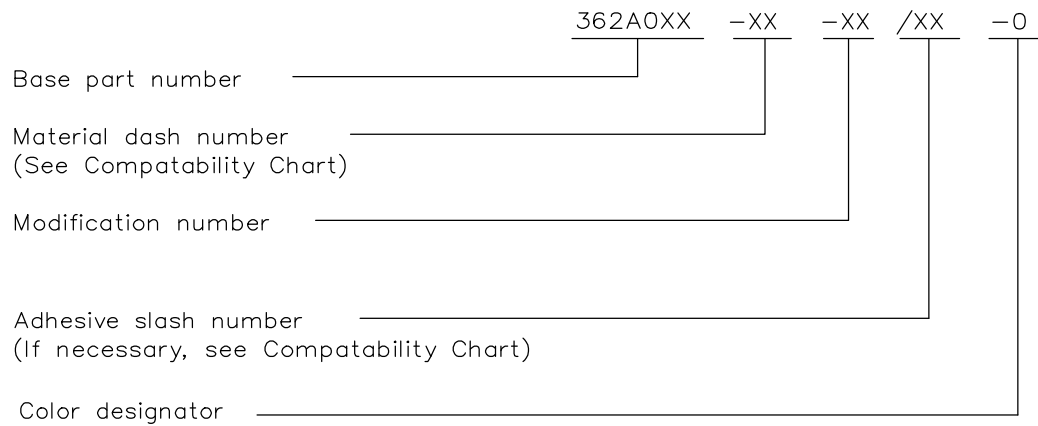


REVISIONS

P	LTR	DESCRIPTION	DATE	DWN	APVD
	-	SEE SHEET 1	-	-	-

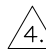
MATERIAL DASH NO.	MATERIAL DESCRIPTION	RT SPEC	COATING SLASH NO.	COATING S NO.
-3	Polyolefin, Semi-rigid	RT-301	/42; /86; /180	S1017;S1048;S1030
-4	Polyolefin, Flexible	RT-1304	/42; /86; /180	S1017;S1048;S1030
-12	Fluoroelastomer, Flexible	RT-1312	N/A	N/A
-25	Elastomer, Fluid Resistant	RW-2070	/42; /86; /225	S1017;S1048;S1206
-100	Polyolefin, Semi-flexible ZEROHAL	RW-2082	/86; /180 	S1048;S1030

ORDERING INFORMATION


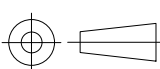


NOTES

- Dimensions appearing in table are as follows:
  - a - As Supplied
  - b - After Unrestricted Recovery
- Coating is optional. As supplied dimensions appearing in table are for uncoated parts. When coating is added, entry diameters will be reduced by 1.5mm[.06]. max.
- Molding ports are optional. When -00 modification number is specified molding ports will be located as shown.

 /180 adhesive available only on 362A014.

THIS DRAWING IS UNPUBLISHED. ALL RIGHTS RESERVED. © COPYRIGHT - TE Connectivity Ltd.

DIMENSIONS: mm [INCHES]	DWN PRAVEEN N T 30JAN2019	MATERIAL -	FINISH -
	CHK N NAGAR 30JAN2019	 TE Connectivity Ltd.	
TOLERANCES UNLESS OTHERWISE SPECIFIED:	APVD M TAYLOR 30JAN2019		
0 PLC ± -	PRODUCT SPEC	SIZE	RESTRICTED TO
1 PLC ± -	-	CAGE CODE	-
2 PLC ± -	APPLICATION SPEC	DRAWING NO	-
3 PLC ± -	-	A4 00779	-
4 PLC ± -	-	C- 362A014-XX-0THRU114-XX-0	-
ANGLES ± -	WEIGHT	CUSTOMER DRAWING	
	SCALE DNS		SHEET 2 OF 2
			REV K