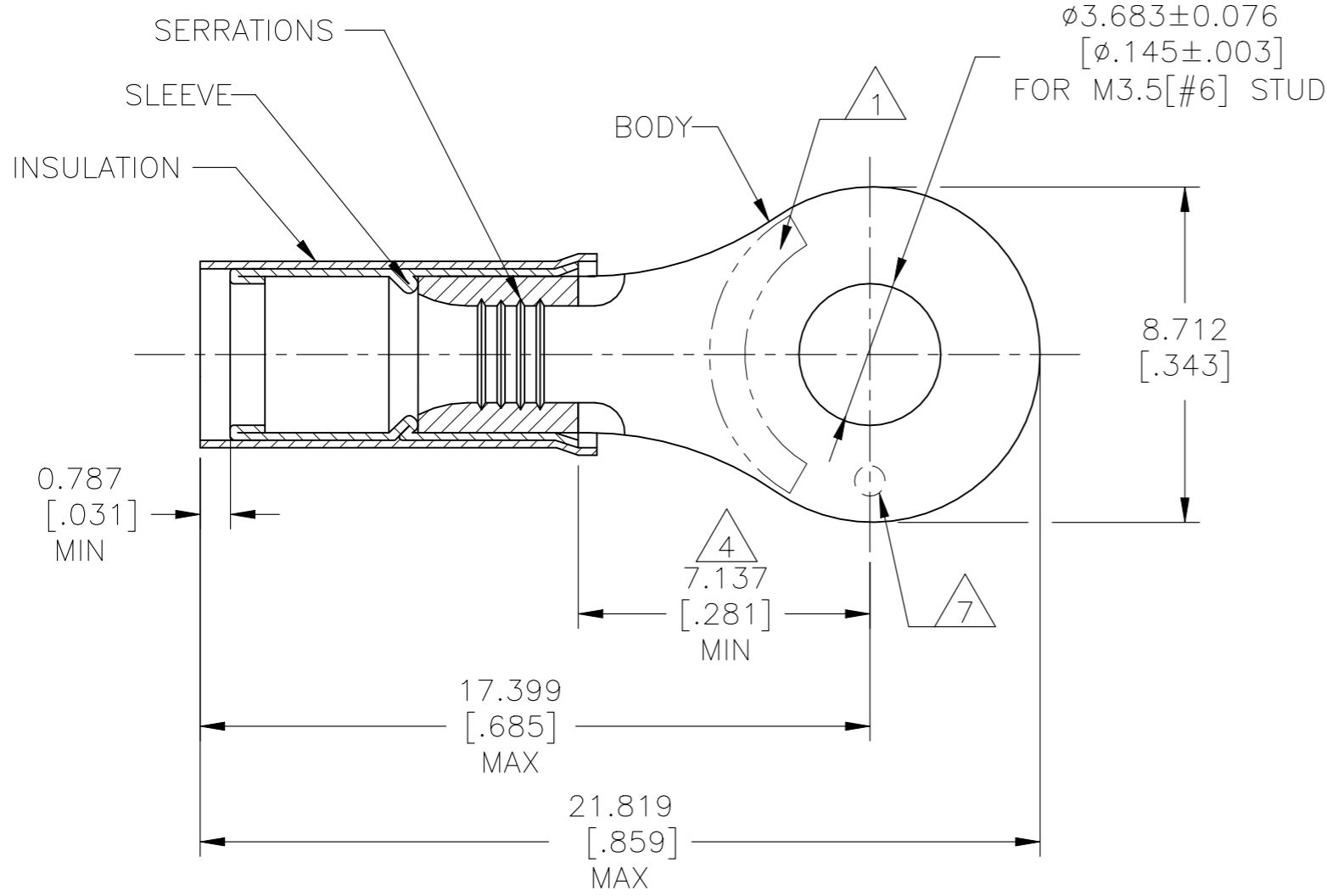


REVISIONS				
P	LTR	DESCRIPTION	DATE	APVD
	H	REVISED PER ECR-23-181664	04AUG2023	SA DSC



AMP WIRE RANGE	Listed FILE E13288	LR7189 Certified
16-14 AWG SOLID OR STRANDED	16-14 AWG SOLID OR STRANDED	16-14 AWG SOLID OR STRANDED

- 1 STAMP AMP 16-14* APPROX AS SHOWN
- 2 WIRE INSULATION DIAMETER: $\phi 2.667[.105]$ TO $\phi 3.810[.150]$
- 3 BODY MATERIAL THK : $0.787 \pm 0.051[.031 \pm .002]$
- 4 APPLIES FROM EDGE OF METAL WIRE BARREL TO CENTER OF STUD HOLE.
- 5 MATERIAL:
BODY & SLEEVE : COPPER PER ASTM B152
INSULATION : NYLON.
- 6 FINISH:
BODY & SLEEVE : TIN PLATE $0.00254[.000100]$ MIN
INSULATION COLOR : BLUE
- 7 DIMPLE STAMP MARK OPTIONAL

5000	ON TAPE	2-36157-2
1000	LOOSE PIECE	36157
QTY	PACKAGE TYPE	PART NO

AMP INCORPORATED CUSTOMER SERVICE SYSTEMS		MAX RECOMMENDED OPERATING TEMPERATURE: 105°C [221°F]	THIS DRAWING IS A CONTROLLED DOCUMENT.		DWN jr_ruth 17MAR09	TE Connectivity			
FOR ADDITIONAL PRODUCT INFORMATION OR COPIES OF DRAWINGS AND TECHNICAL DOCUMENTS	PRODUCT INFORMATION CENTER 1-800-522-6752	VOLTAGE RATING: 300 V MAX	DIMENSIONS: mm [INCHES]	TOLERANCES UNLESS OTHERWISE SPECIFIED:	CHK TOM MICHIELUTTI 17MAR09				NAME TERMINAL, PIDG RING TONGUE, WIRE SIZE 16-14 AWG
FOR APPLICATION TOOLING INFORMATION	TOOLING ASSISTANCE CENTER 1-800-722-1111	CIRCULAR MIL AREA: 1.04-2.62mm ² [2050-5180] SOLID OR STRANDED		0 PLC ± - 1 PLC ± - 2 PLC ± - 3 PLC ± 0.127[.005] 4 PLC ± - ANGLES ± -	APVD TOM MICHIELUTTI 17MAR09	PRODUCT SPEC UL 486A-B			
FOR ORDER ENTRY	1-800-526-5142	THIS DRAWING IS A CONTROLLED DOCUMENT FOR AMP INCORPORATED. IT IS SUBJECT TO CHANGE AND THE CONTROLLING ENGINEERING ORGANIZATION SHOULD BE CONTACTED FOR THE LATEST REVISION.	MATERIAL 5	FINISH 6	APPLICATION SPEC 114-2157	SIZE A3	CAGE CODE 00779	DRAWING NO C-36157	RESTRICTED TO -
					WEIGHT -	SCALE 8:1		SHEET 1 OF 1	REV H