

THIS DRAWING IS UNPUBLISHED. RELEASED FOR PUBLICATION.

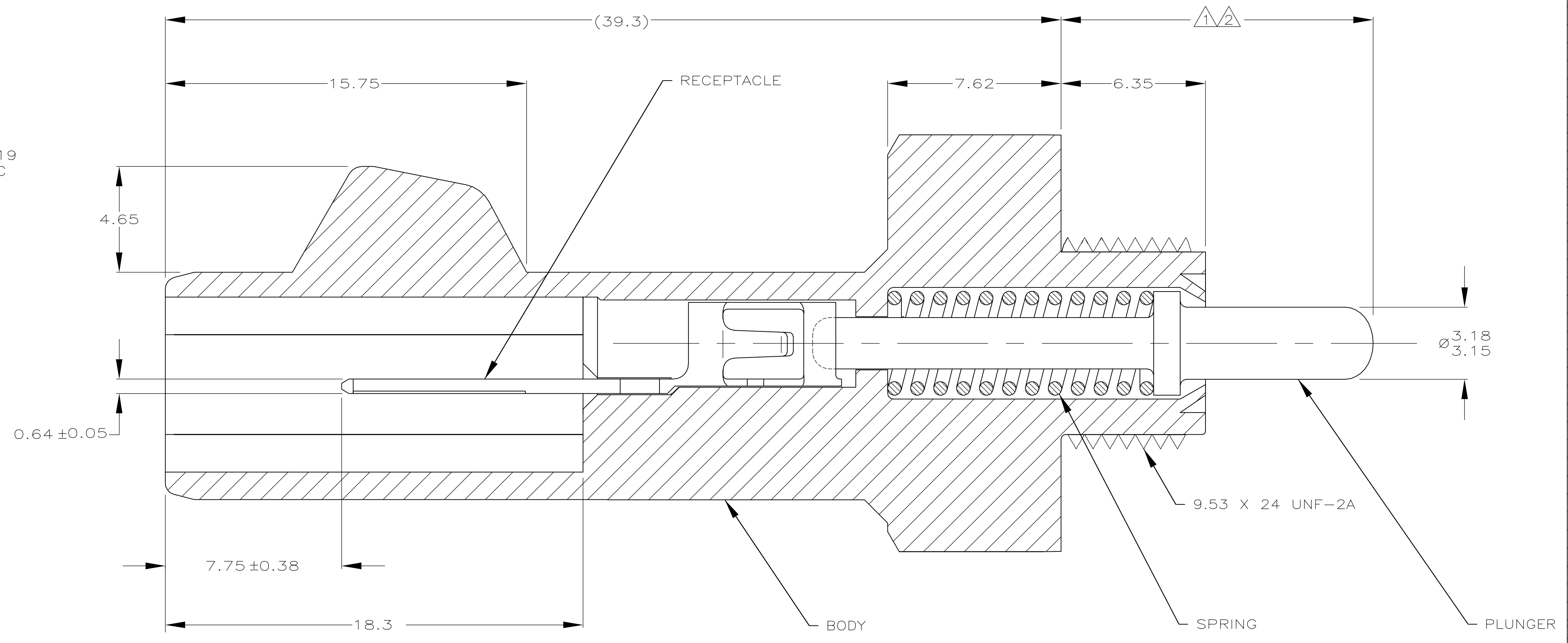
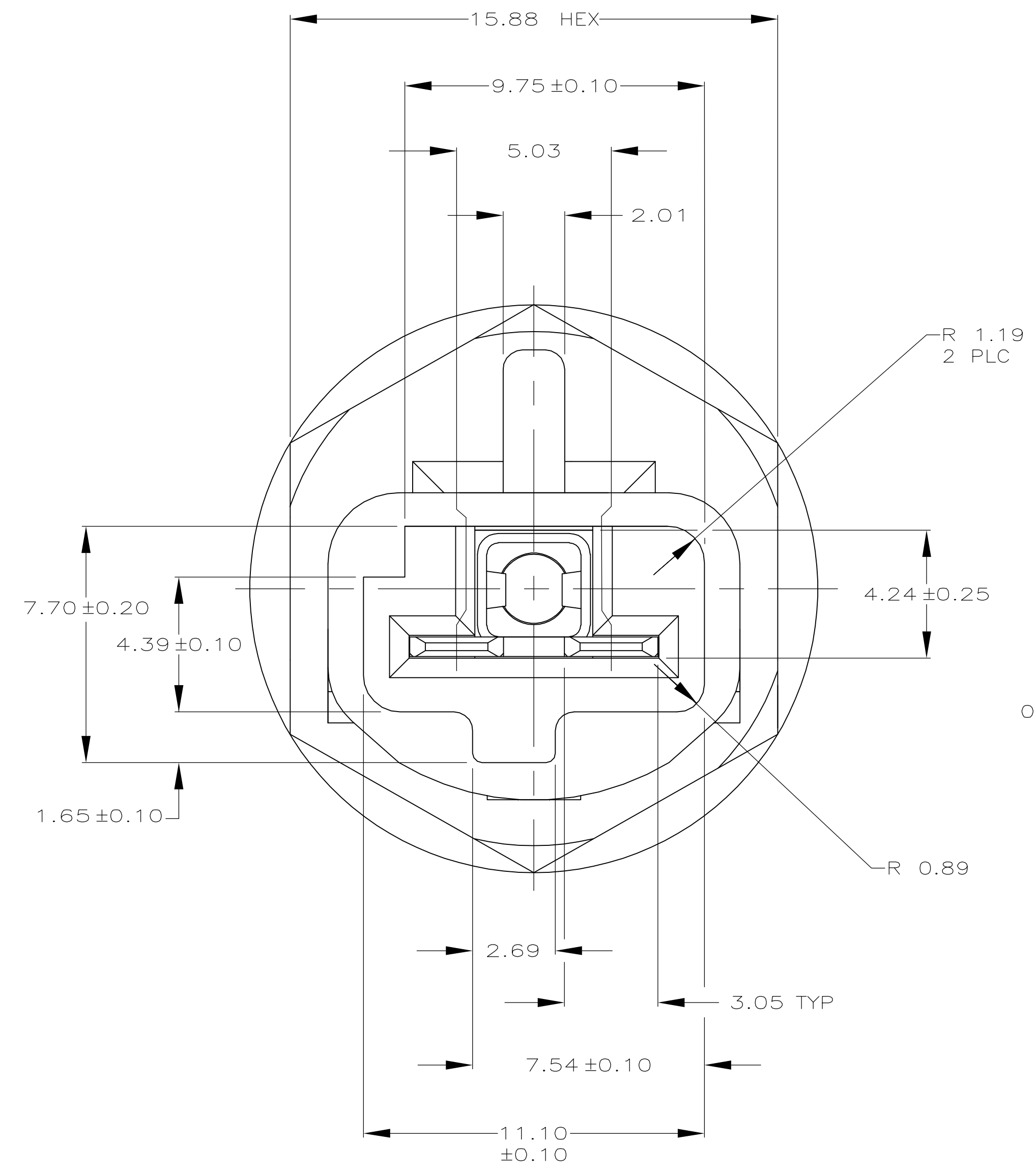
© COPYRIGHT BY TYCO ELECTRONICS CORPORATION. ALL RIGHTS RESERVED.

CONVERSION TABLE					
MM	IN	MM	IN	MM	IN
0.05	.002	3.15	.124	11.10	.437
0.10	.004	3.18	.125	11.3	.445
0.13	.005	4.24	.167	12.29	.484
.020	.008	4.39	.173	12.8	.504
0.25	.010	4.65	.183	13.26	.522
0.38	.015	5.03	.198	13.46	.530
0.64	.025	6.35	.250	13.97	.550
0.89	.035	7.54	.297	15.75	.620
1.19	.047	7.62	.300	15.88	.625
1.65	.065	7.75	.305	18.3	.720
2.01	.079	7.70	.303	39.3	1.55
2.69	.106	9.53	.375	-	-
3.05	.120	9.75	.384	-	-

LOC	DIST	REVISIONS			
P	LTR	DESCRIPTION	DATE	DWN	APVD
D		REVISED PER ECR-05-015257	11JAN06	AH	DC

① PLUNGER POSITION HEIGHT:
 MAXIMUM SOLID - 11.3
 FREE - 13.46 - 13.97
 ELECTRICAL CONTACT - 12.29 - 12.8

② PLUNGER LOAD AT 13.26 TO BE 6.7 TO 9.3 N
 [1.5 TO 2.1 LBS].



STAINLESS STEEL	BRASS, BRIGHT TIN-LEAD PL	BRASS, NICKEL PLATING	NYLON, NATURAL	360387-1
SPRING	RECEPTACLE	PLUNGER	BODY	PART NO.
THIS DRAWING IS A CONTROLLED DOCUMENT.		DWN T. BECK 4-10-92	tyco Electronics Tyco Electronics Corporation Harrisburg, PA 17105-3608	
DIMENSIONS: mm	TOLERANCES UNLESS OTHERWISE SPECIFIED:	CHK R. SWING 4-10-92	APPR M. SHORE 4-14-92	NAME ASSEMBLY, BRAKE SWITCH
0 PLC ± -	1 PLC ± 0.3	PRODUCT SPEC	APPLICATION SPEC	RESTRICTED TO
2 PLC ± 0.15	3 PLC ± -	WEIGHT	SIZE CAGE CODE DRAWING NO	A1 00779 ©=360387
4 PLC ± -	ANGLES ± 0.30°	CUSTOMER DRAWING	SCALE 8:1	SHEET 1 OF 1 REV D
MATERIAL SEE TABLE	FINISH SEE TABLE			