

| REVISIONS | | | | | |
|-----------|-----|-------------------|-----------|-----|------|
| P | LTR | DESCRIPTION | DATE | DWN | APVD |
| A | | GTP ECN-23-225331 | 08AUG2023 | SM | RB |
| A1 | | LABEL UPDATED | 01FEB2024 | SS | AOW |
| | | | | | |
| | | | | | |

TECHNICAL DATA

ENVIRONMENTAL CHARACTERISTICS:
 TEMPERATURE RANGE.....-40°C TO +85°C
 SEALING.....IP67 / ISO 20653
 VIBRATION.....4.12GRMS / 10-2000Hz
 SHOCK G-LEVEL......6G/11msec (NO MICRO CUTS)
50G/11msec (NO PHYSICAL DAMAGE)
 WEIGHT.....~175g / 0.38 POUND

ELECTRICAL CHARACTERISTICS:
 MIN. ISULATION RESISTANCE, INITIAL.....100MOHM
 DIELECTRIC WITHSTANDING VOLTAGE.....2800VAC -1min
 MAX. CONTACT DROP DURING RESISTIVE LOAD.....150mV
 DUTY RATING.....250A-

OVERLOAD (CARRYING).....500A-180sec
1000A-30sec

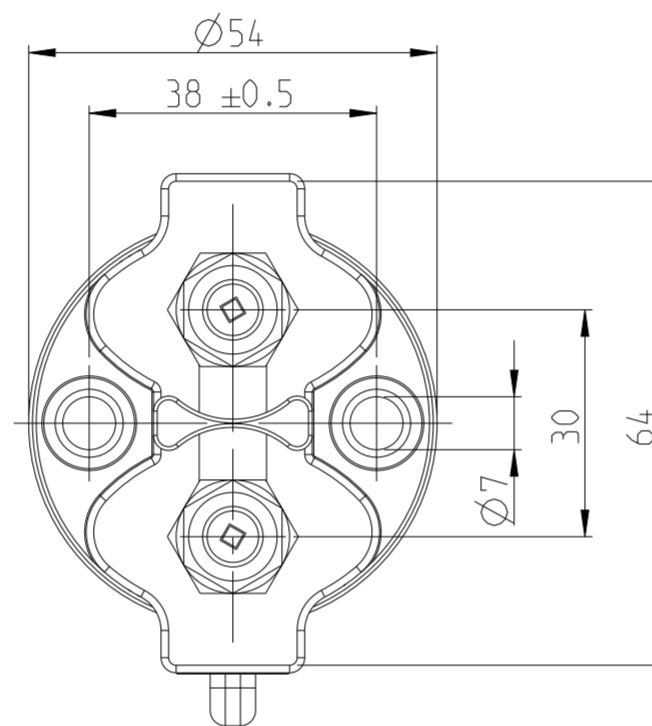
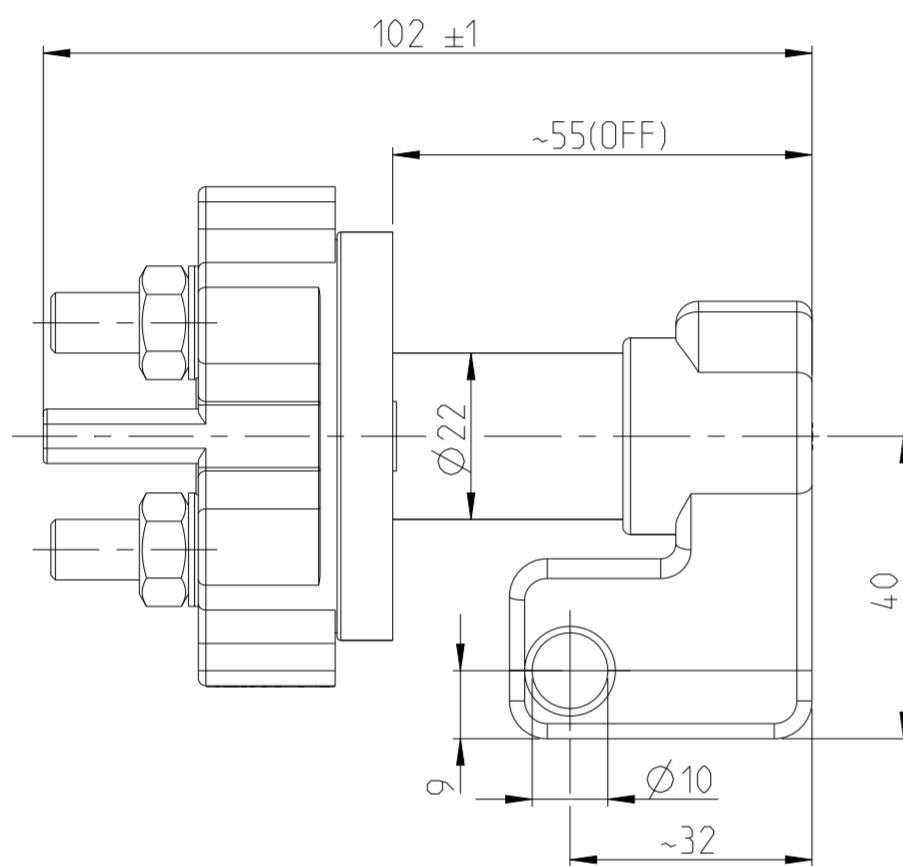
SWITCHING CYCLES POSSIBLE:
 MECHANICAL (MECHANICAL NO ELECTRICAL LOAD)..... 10000 CYCLES
 910VDC/1A..... 5000 CYCLES
 1.5s ON (SWITCHED ON WITH LOAD) AND 30s OFF (SWITCHED OFF WITHOUT LOAD)

80VDC / 200A..... 100 CYCLES
 80VDC / 300A..... 10 CYCLES
 910VDC / 200A..... 1 CYCLE
 SWITCH MUST BE REPLACED AFTERWARDS!
 OTHER VOLTAGE/AMPERAGE COMBINATIONS HAVE NOT BEEN TESTED.

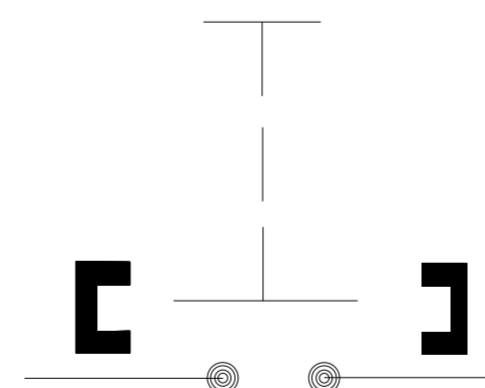
MAX VOLTAGE 1000VDC

OPERATING ALTITUDE.....-610 TO +3600 METERS
 SWITCHING ALTITUDE (ON/OFF).....MAX. +1500 METERS

GENERAL CHARACTERISTICS:
 CASE MATERIAL.....PA GF BLACK
 SWITCH LEVER MATERIAL.....PA GF ORANGE RAL 2003
 WIRE SECTION (AT NOMINAL LOAD).....MIN. 70 mm²
 SWITCH LEVER.....NOT REMOVEABLE
 MAX TORQUE (MAIN CONTACTS).....12-13Nm
 MAX. OPERATING TORQUE SWITCH LEVER.....1Nm

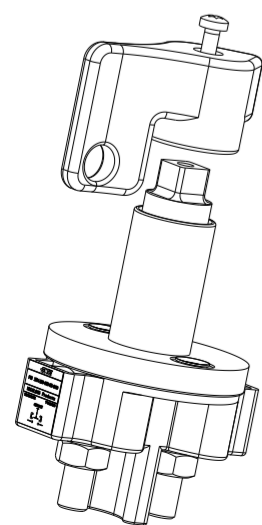


CIRCUIT



NOTES
Bemerkungen

- 1 TE-CONNECTIVITY ORDER-NUMBER
- 2 ATTENTION: NOT SWITCHABLE UNDER FULL LOAD!
- 3 DESGN OF THE SWITCH IS ACCORDING TO DIN EN 60664-1 (ASSUMED MAX. RATED IMPULSE VOLTAGE 4kV)



ISO 1:2

| | | | | | | |
|---|--|------------------------------------|---|-----------|--------------------|----------|
| THIS DRAWING IS A CONTROLLED DOCUMENT. | | DWN K. SEFGER 30NOV2020 | K1167328 / 1 A1 BATTERY DISCONNECTOR Batterietrennschalter | | 175 | 1 |
| DIMENSIONS: mm | | CHK A.O. WALZ 15JUN2023 | TE ORDER_NO. | | REV. | ITEM NO. |
| TOLERANCES UNLESS OTHERWISE SPECIFIED: DIN ISO 2867 cL | | APVD U. GRINDEMANN 28JUL2023 | DESCRIPTION | | WEIGHT (g) | |
| 0 PLC ± 1 PLC ± 2 PLC ± 3 PLC ± 4 PLC ± | | PRODUCT SPEC | NAME | | RESTRICTED TO | |
| MATERIAL | | APPLICATION SPEC | BATTERY DISCONNECTOR Batterietrennschalter | | - | |
| ANGLES ± FINISH | | WEIGHT | SIZE | CAGE CODE | DRAWING NO. | |
| | | CUSTOMER DRAWING | A2 | 00779 | 35H-210-051-0R-900 | |
| | | SCALE | 1:1 | SHEET | 1 OF 1 | REV A1 |