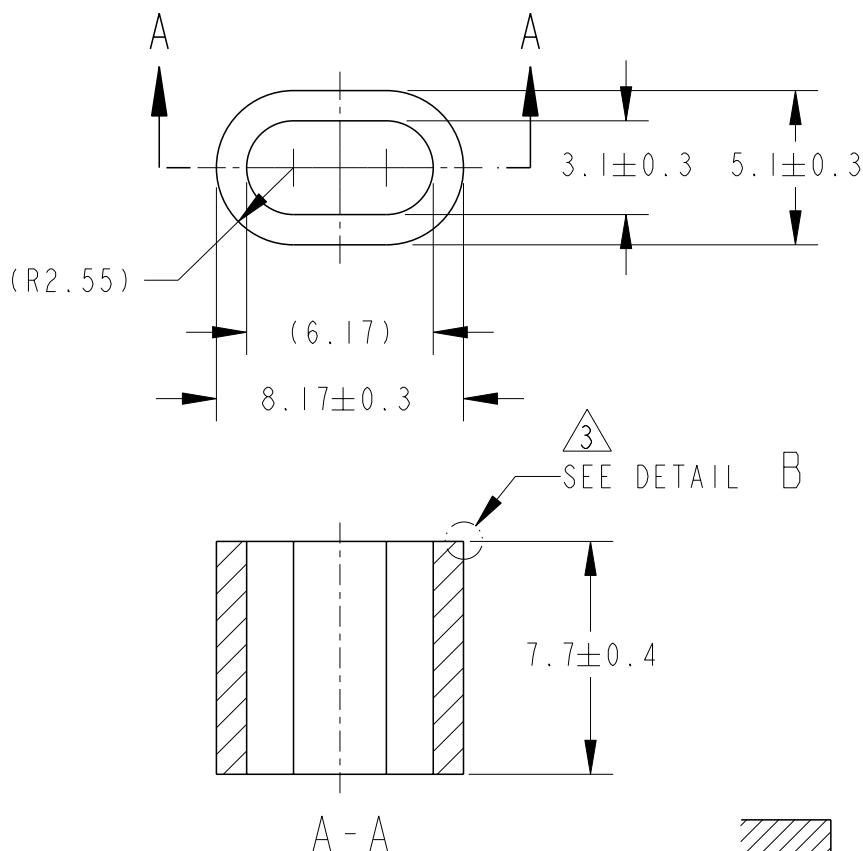


一般公差

10 ≥	: ±0.2
30 ≥	>10: ±0.25
100 ≥	>30: ±0.3
ANGLE: ±3°	

REVISIONS					
P	LTR	DESCRIPTION	DATE	DWN	APVD
	A	REVISED	ECR-17-000810	27FEB2017	TH TK



1. APPLIED PRODUCT PART NUMBERS  
 CONTACT; 353376  
 HOUSING-MAIN; 353744  
 HOUSING-LID; 353745

2. INSTRUCTION SHEET NUMBER: 411-5813.

3. THE FORM OF DETAIL B BECOMES FIG.1 OR FIG.2.

1. 適用製品型番  
 コンタクト; 353376  
 ハウジング(メイン); 353744  
 ハウジング(リッド); 353745
2. 取扱説明書番号; 411-5813
3. Bの形状はFIG.1もしくはFIG.2  
 いずれかとなる。

353746-1
PART NUMBER

FEB.21

RELEASED FOR PUBLICATION

BY Tyco Electronics Japan G.K.

© COPYRIGHT 2017

THIS DRAWING IS UNPUBLISHED.

DIMENSIONS:

mm

TOLERANCES UNLESS OTHERWISE SPECIFIED:

0 PLC	±-
1 PLC	±0.1
2 PLC	±0.01
3 PLC	±0.001
4 PLC	±0.0001
ANGLES	±-

DWN	H. YAMAGAMI	23APR97
CHK	N. YASUDA	24APR97
APVD	N. SAI	24APR97
PRODUCT SPEC	108-5567	
APPLICATION SPEC	—//—	
WEIGHT	0.8 g	
CUSTOMER DRAWING		

WIRE RANGE 抱合電線断面積	—//—	INSULATION DIA 被覆外径	—//—
MATERIAL	FERRITE	FINISH	—//—
<b>TE</b> TE Connectivity			
NAME FIX-IN SQUIB CONNECTOR (∅1mm SOCKET 2 POSITION) FERRITE			
SIZE	CAGE CODE	DRAWING NO	RESTRICTED TO
A4	00779	C=353746	-
SCALE		SHEET	OF
4:1		1	1
REV			A