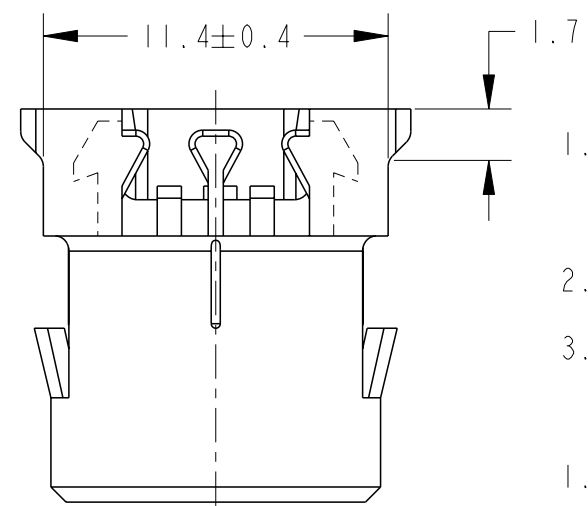
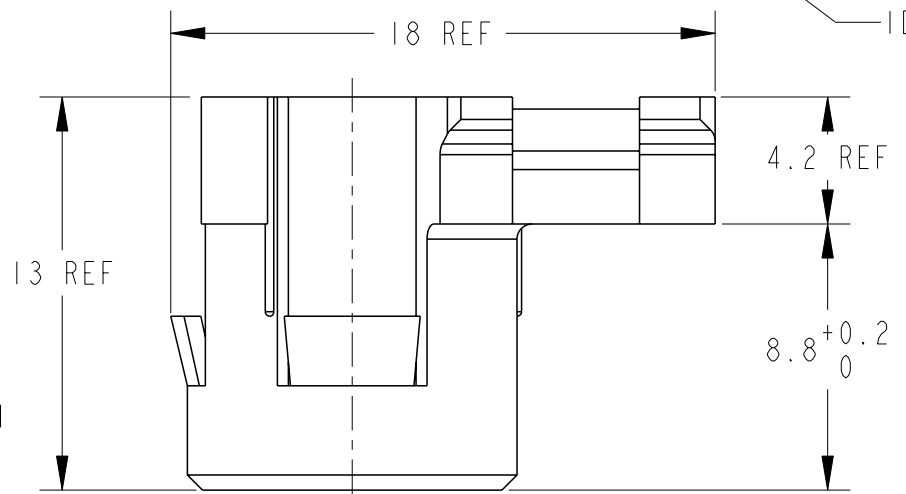
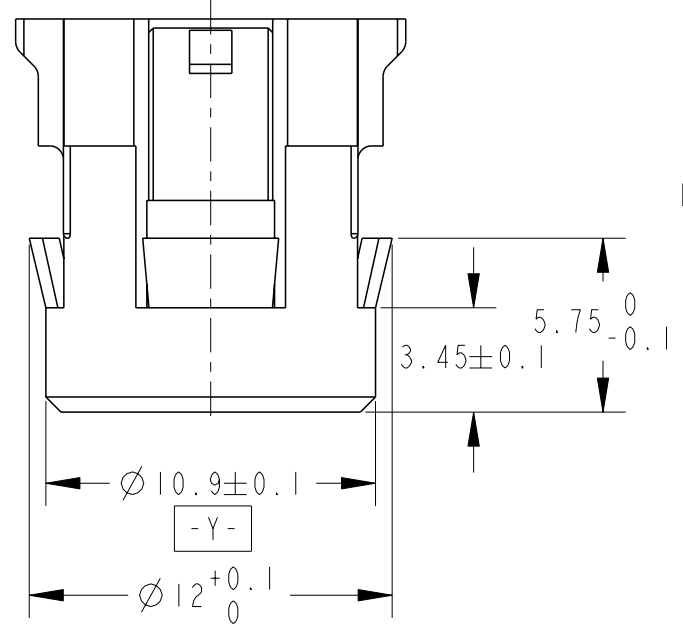
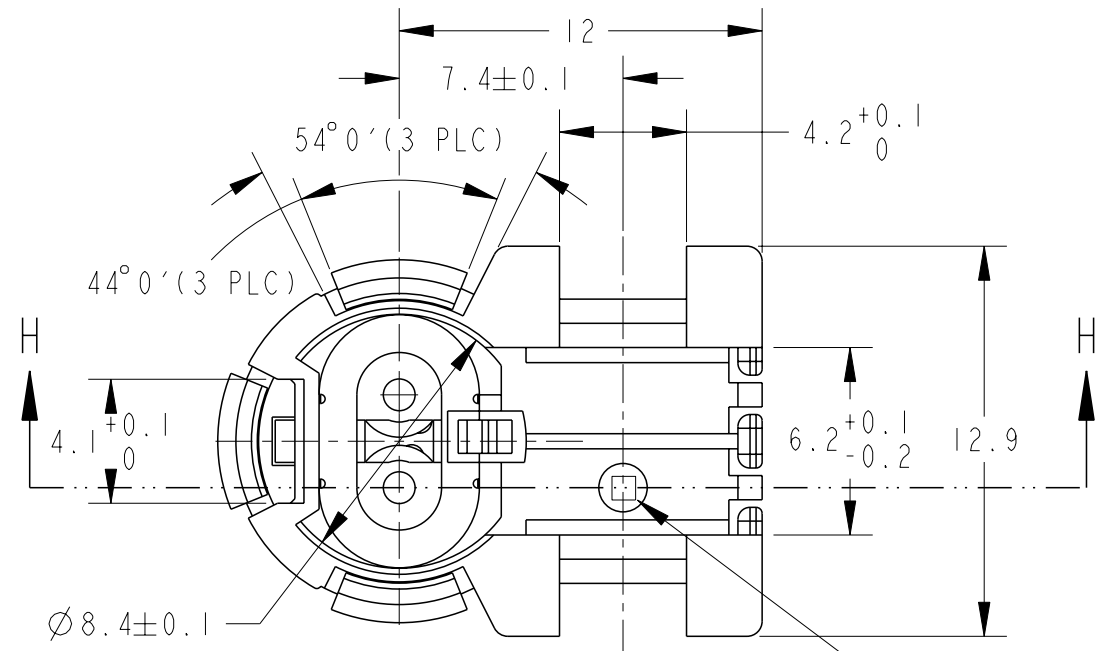


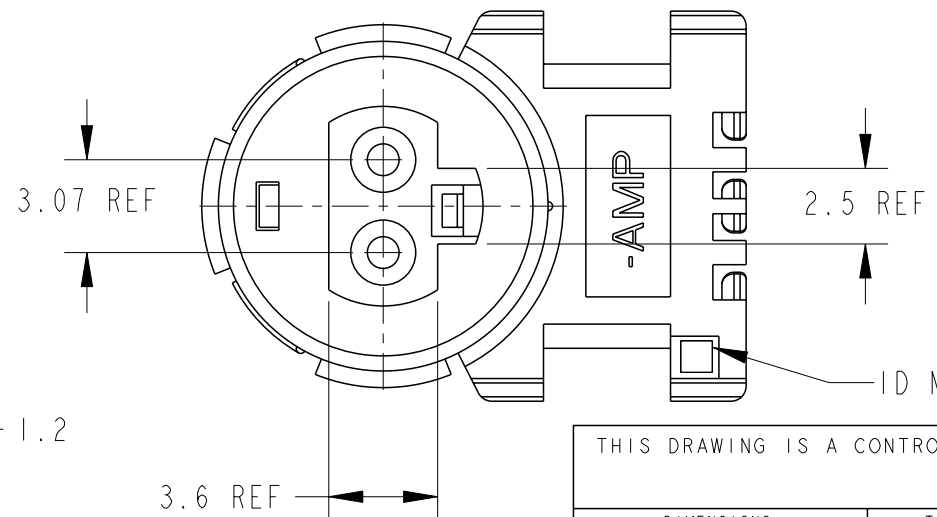
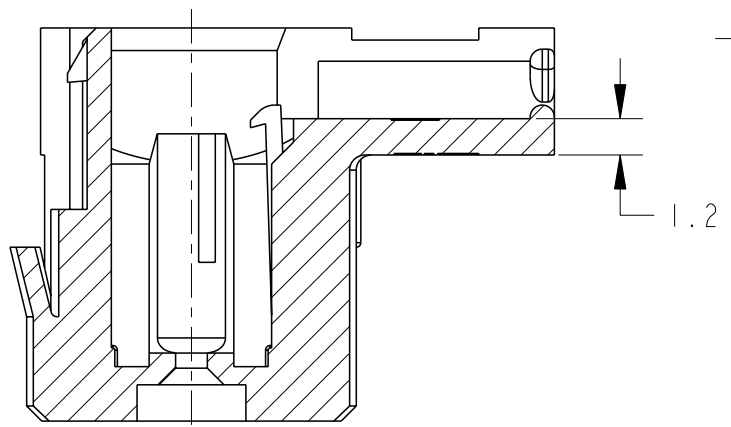
REVISIONS

P	LTR	DESCRIPTION	DATE	DWN	APVD
	C2	REVISED	ECR-11-002353	08FEB2011	AY HY
	C3	REVISED PER	ECR-23-188923	25SEP2023	KW RK



- APPLIED PRODUCT PART NUMBERS
CONTACT; 353376
HOUSING-LID; 353745
FERRITE; 353746
- INSTRUCTION SHEET NUMBER;
411-5813
- DIMENSIONS TO BE MATED;
SEE SHEET 2 OF 2

- 適用製品型番
コンタクト; 353376
ハウジング(リッド); 353745
フェライト; 353746
- 取扱説明書番号;
411-5813
- 嵌合相手寸法: SHEET 2 OF 2 を参照



	YELLOW	353744-7
OBSOLETE	BLACK	353744-2
	COLOR	PART NUMBER

THIS DRAWING IS A CONTROLLED DOCUMENT.

DIMENSIONS: 単位: 耗 mm	TOLERANCES UNLESS OTHERWISE SPECIFIED: 一般公差 = ± 0.15
	0 PLC ±
	1 PLC ±0.1
	2 PLC ±0.01
	3 PLC ±0.001
	4 PLC ±0.0001
	ANGLES ±1'00"
MATERIAL 材料	FINISH 仕上
PBT	-

DWN	23APR1997
H. YAMAGAMI	
CHK	24APR1997
N. YASUDA	
APVD	24APR1997
N. SAI	
PRODUCT SPEC	108-5567
取付適用規格	- //
WEIGHT	0.95g

TE TE Connectivity

NAME
名称 FIX-IN SQUIB CONNECTOR
(Ø1mm SOCKET 2 POSITION)
HOUSING-MAIN

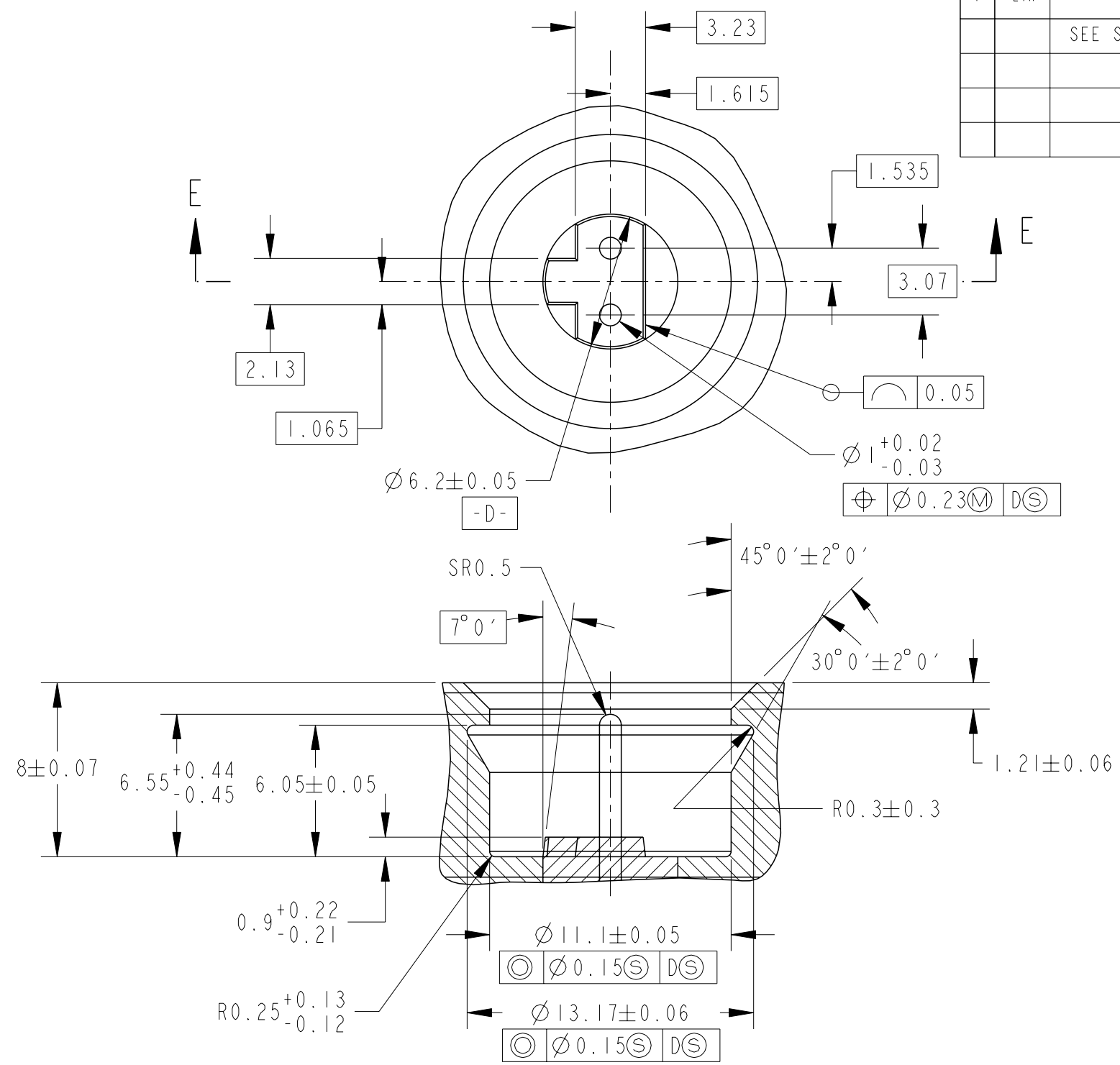
SIZE	CAGE CODE	DRAWING NO	RESTRICTED TO
A3	00779	353744	-

CUSTOMER DRAWING SCALE 4:1 SHEET 1 OF 2 REV C3

Printed on 6 Oct 2023 15:32 (India Standard Time) from TE501918

REVISIONS
変更

P	LTR	DESCRIPTION	DATE	DWN	APVD
		SEE SHEET 1			



1. FINISH OF PIN CONTACTS
MUST BE GOLD PLATED

1. ピンコタクトは、金めっき仕上げとする

DIMENSIONS TO BE MATED
嵌合相手寸法

THIS DRAWING IS A CONTROLLED DOCUMENT.		DWN T. KUSANO 15JUL1998				
DIMENSIONS: 単位: 耗 mm		CHK H. YAMAGAMI 15JUL1998				
TOLERANCES UNLESS OTHERWISE SPECIFIED: 0 PLC \pm - 1 PLC ± 0.1 2 PLC ± 0.01 3 PLC ± 0.001 4 PLC ± 0.0001 ANGLES $\pm 1' 00''$		APVD N. SAI 15JUL1998	NAME 名称 FIX-IN SQUIB CONNECTOR ($\phi 1$ mm SOCKET 2 POSITION) HOUSING-MAIN			
MATERIAL 材料 -		PRODUCT SPEC 製品規格 - APPLICATION SPEC 取付適用規格 - WEIGHT -	SIZE A3 CAGE CODE 00779 DRAWING NO C=353744	RESTRICTED TO -		
-		FINISH 仕上 -	CUSTOMER DRAWING	SCALE 尺度 4:1	SHEET 2 OF 2	REV C3

Printed on 6 Oct 2023 15:32 (India Standard Time) from TE501918