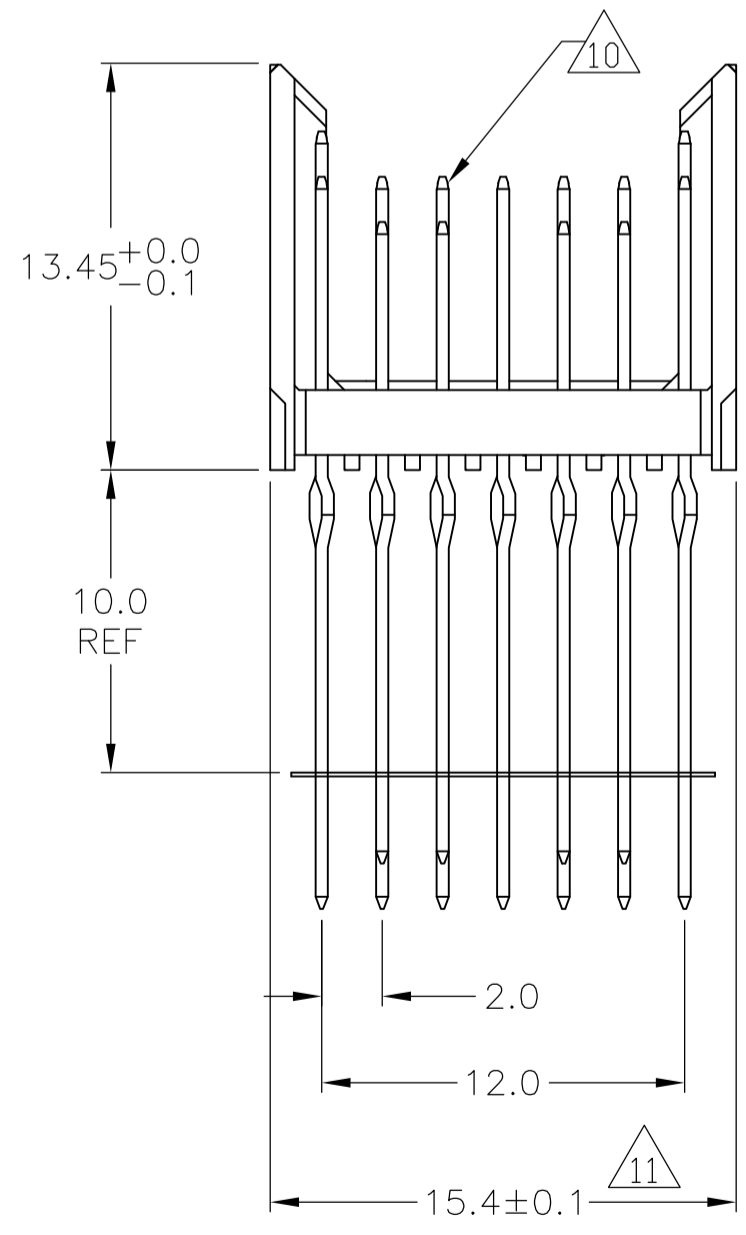
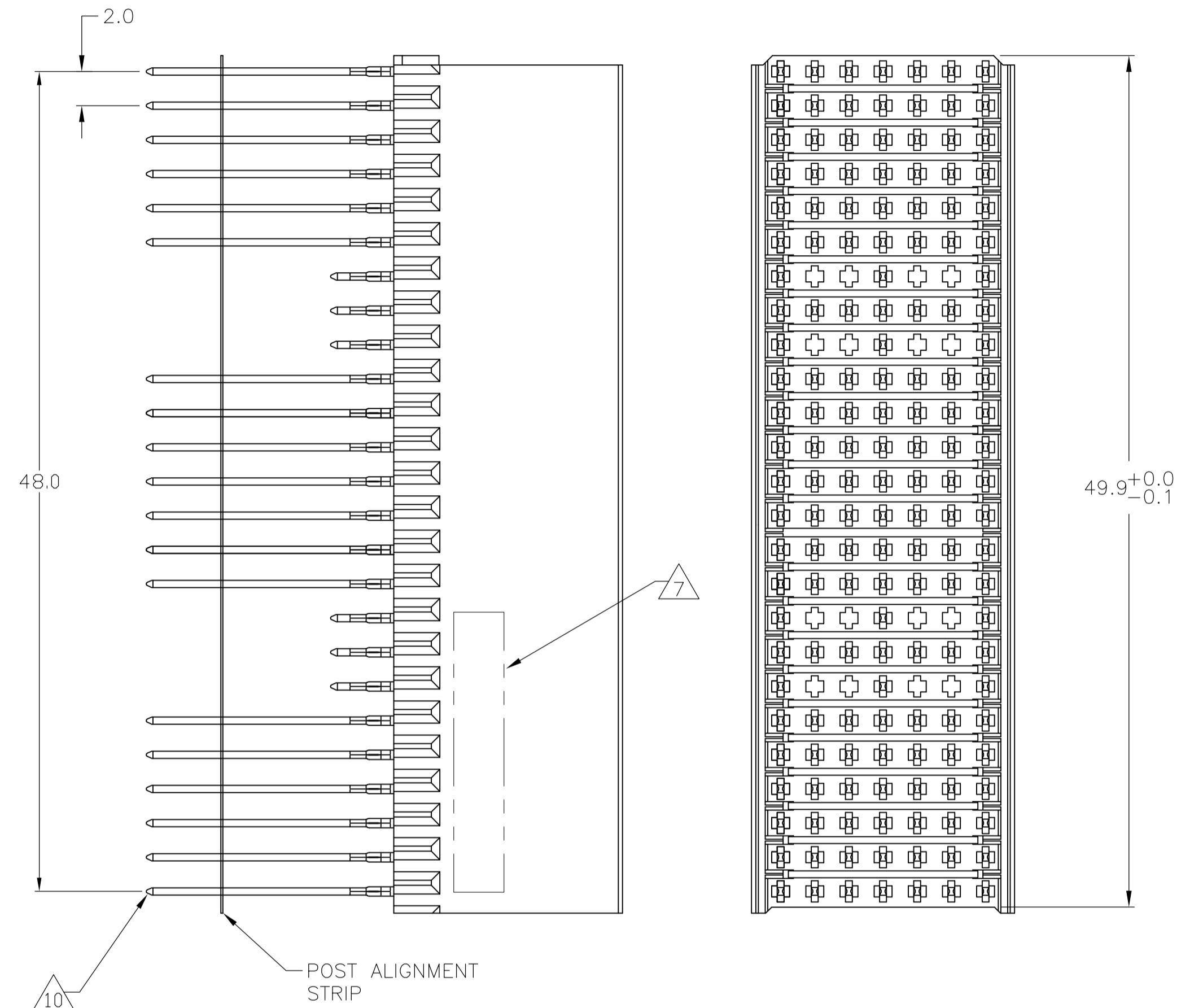
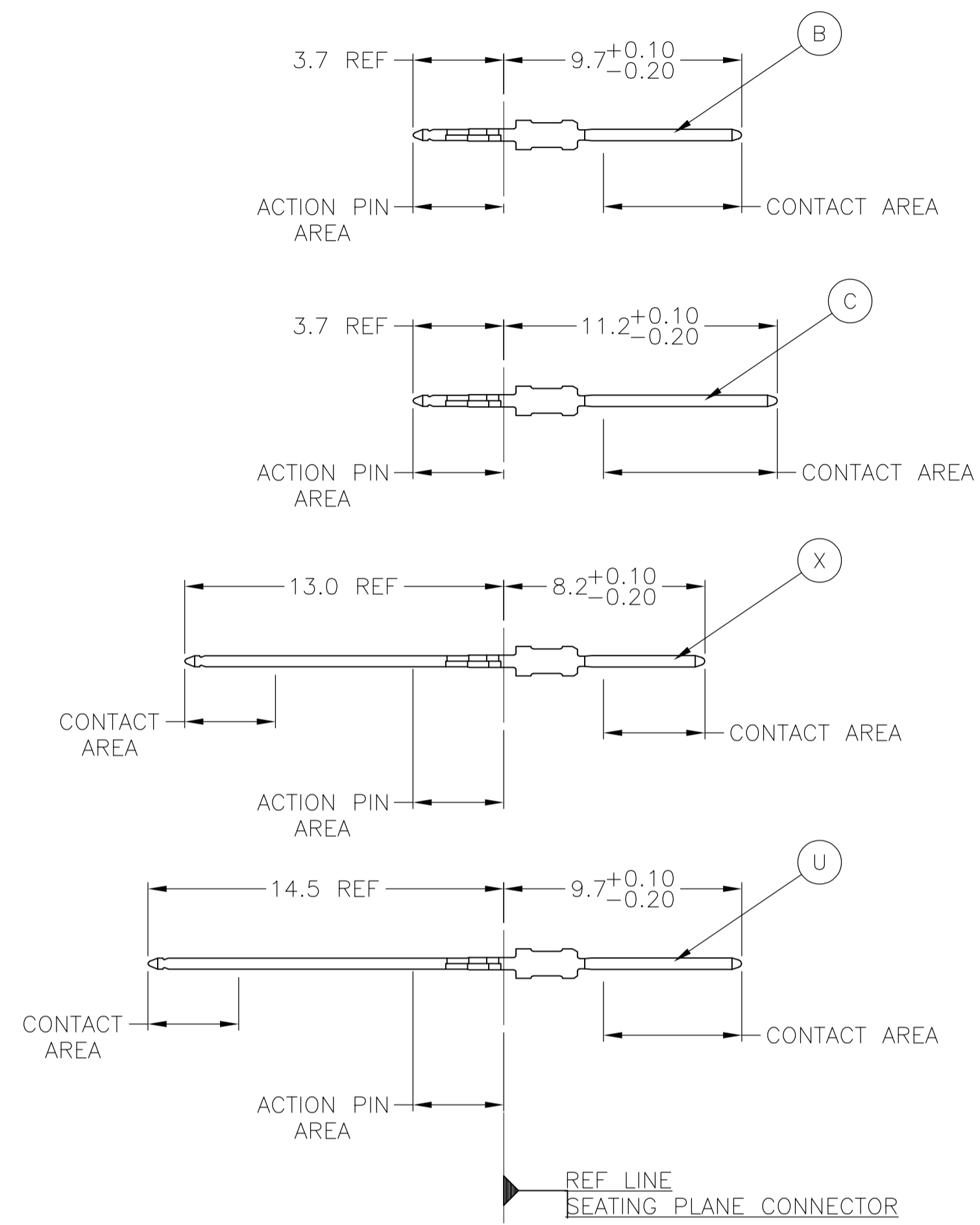


CONNECTOR ASSEMBLY EXAMPLARY LOADED



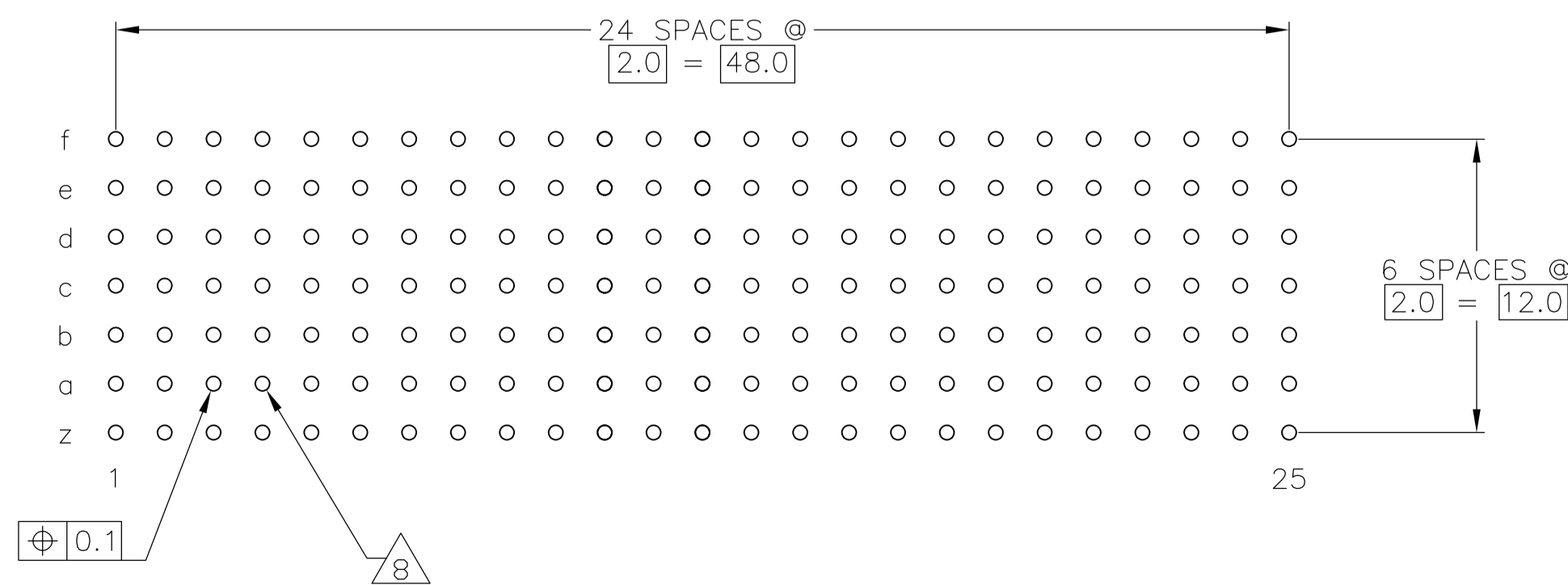
CONTACT DIMENSIONS SCALE 5:1



CONTACT LAYOUT

	z	a	b	c	d	e	f
1	U	X	X	U	X	X	U
2	U	X	X	U	X	X	U
3	U	U	U	U	U	U	U
4	U	X	X	U	X	X	U
5	U	X	X	U	X	X	U
6	U	U	U	U	U	U	U
7	C			B			C
8	C	B	B	B	B	B	C
9	C			B			C
10	U	U	U	U	U	U	U
11	U	X	X	U	X	X	U
12	U	X	X	U	X	X	U
13	U	U	U	U	U	U	U
14	U	X	X	U	X	X	U
15	U	X	X	U	X	X	U
16	U	U	U	U	U	U	U
17	C			B			C
18	C	B	B	B	B	B	C
19	C			B			C
20	U	U	U	U	U	U	U
21	U	X	X	U	X	X	U
22	U	X	X	U	X	X	U
23	U	U	U	U	U	U	U
24	U	X	X	U	X	X	U
25	U	X	X	U	X	X	U

RECOMMENDED PCB-HOLE LAYOUT COMPONENT SIDE SHOWN



PLATED THRU HOLES PARAMETERS


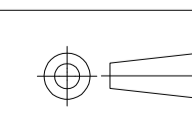
REFERENCE APPLICATION SPECIFICATION

2 6 12	1-352619-9
2 5 12	352619-9
2 4	352619-4
2 3	352619-1
OBsolete	
FINISH	PART NUMBER

THIS DRAWING IS A CONTROLLED DOCUMENT.

DIMENSIONS: mm	TOLERANCES UNLESS OTHERWISE SPECIFIED: 0-PLC ± 1-PLC ±0.1 2-PLC ±0.2 3-PLC ± 4-PLC ± ANGLES ±	DIN B CARBO 27JUL05 GIK 27JUL05 G SKIPPER 27JUL05 G SKIPPER 27JUL05	Tyco Electronics Corporation Harrisburg, Pa 17105-3608
MATERIAL 1	FINISH SEE TABLE	NAME MALE ASSEMBLY, Z-PACK 2mm HM, TYPE B	RESTRICTED TO
CUSTOMER DRAWING		SIZE A1 CAGE CODE 00779 DRAWING NO. 114-19029 WEIGHT SCALE 4:1	SHEET 1 OF 2 REV F

- 1 MATERIAL:
CONTACT: PHOSPHOR BRONZE.
HOUSING: GLASS-FILLED POLYESTER.
- 2 GENERAL PLATING SPECIFICATION: UNDERPLATING
(ENTIRE CONTACT): 1.27µm MIN NICKEL AND ACTION
PIN: 0.5µm MIN TIN/LEAD.
FOR PLATING OF MATING SURFACES SEE APPLICABLE
SPECIFICATION REFERENCE FOR EACH DASH NUMBER.
- 3 CONFORMS TO ALL TESTING ACCORDING TO IEC 61076-4-101
PERFORMANCE LEVEL 2.
- 4 CONFORMS TO ALL TESTING ACCORDING TO IEC 61076-4-101
PERFORMANCE LEVEL 1.
- 5 CONNECTOR TESTED AND QUALIFIED AGAINST TELCORDIA GR-1217-CORE QUALITY LEVEL 3,
CENTRAL OFFICE APPLICATIONS.
- 6 CONNECTOR TESTED AND QUALIFIED AGAINST TELCORDIA GR-1217-CORE QUALITY LEVEL 3,
UNCONTROLLED ENVIROMENT APPLICATIONS.
- 7 CONNECTOR MARKED WITH PART NUMBER AND DATE CODE.
ADDITIONAL CHARACTERS OR MARKINGS, AS WELL AS THE LOCATION OF THE MARKINGS,
MAY BE ADDED FOR TRACEABILITY BASED UPON MANUFACTURERS DISCRETION.
- 8 PLATED-THROUGH HOLES AT 2x2mm SQUARE GRID
PATTERN DEFINED BY CONTACT LAYOUT.
- 9 FOR ACTUAL PIN LOADING SEE "CONTACT LAYOUT".
- 10 FOR ACTUAL PIN DIMENSIONS SEE "CONTACT DIMENSIONS".
- 11 TO BE MEASURED AT BOTTOM OF SHROUD.
- 12 CONNECTOR LUBRICATED WITH BELCORE APPROVED LUBRICANT,
TECHNICAL REFERENCE: TR-NWT-001217 ISSUE 1, SEP 1992.

THIS DRAWING IS A CONTROLLED DOCUMENT.		DIN B CARBO	27JUL05	 Tyco Electronics Corporation Harrisburg, Pa 17105-3608
		CHK G SKIPPER	27JUL05	
DIMENSIONS: mm		TOLERANCES UNLESS OTHERWISE SPECIFIED: 0-PLC ± 1-PLC ±0.1 2-PLC ± 3-PLC ± 4-PLC ± ANGLES ±		APVD G SKIPPER 27JUL05 NAME MALE ASSEMBLY, Z-PACK 2mm HM, TYPE B
		PRODUCT SPEC 108-19082 APPLICATION SPEC 114-19029		SIZE A1 CAGE CODE 00779 DRAWING NO C=352619 RESTRICTED TO —
MATERIAL SEE SHEET 1	FINISH SEE SHEET 1	WEIGHT —	CUSTOMER DRAWING	SCALE 4:1 SHEET 2 OF 2 REV F