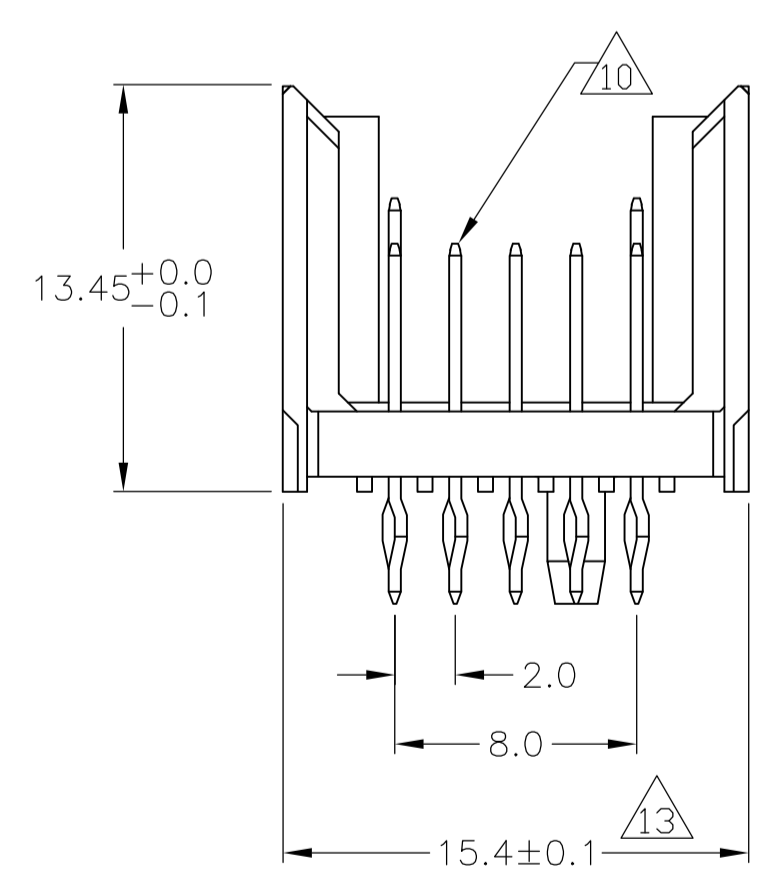
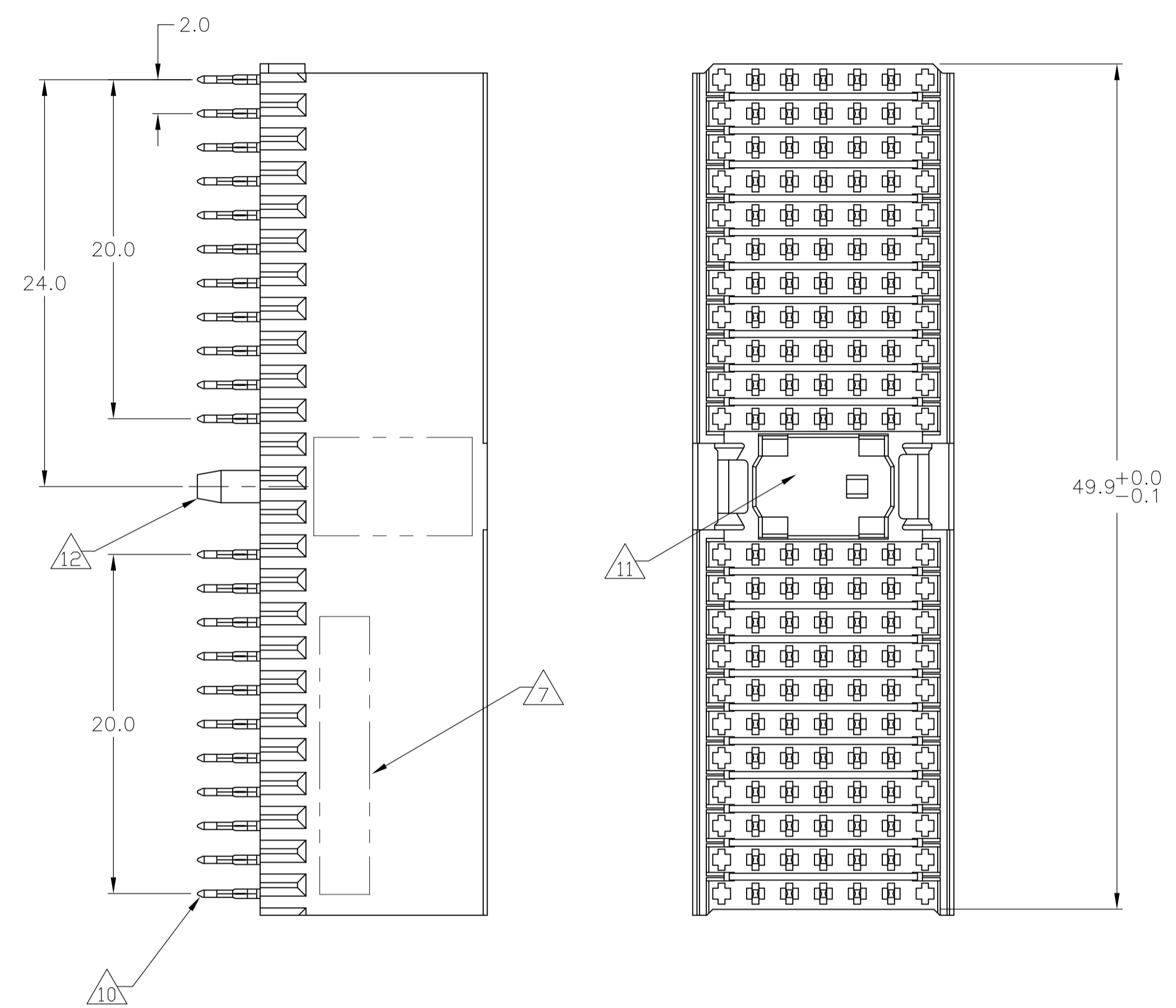
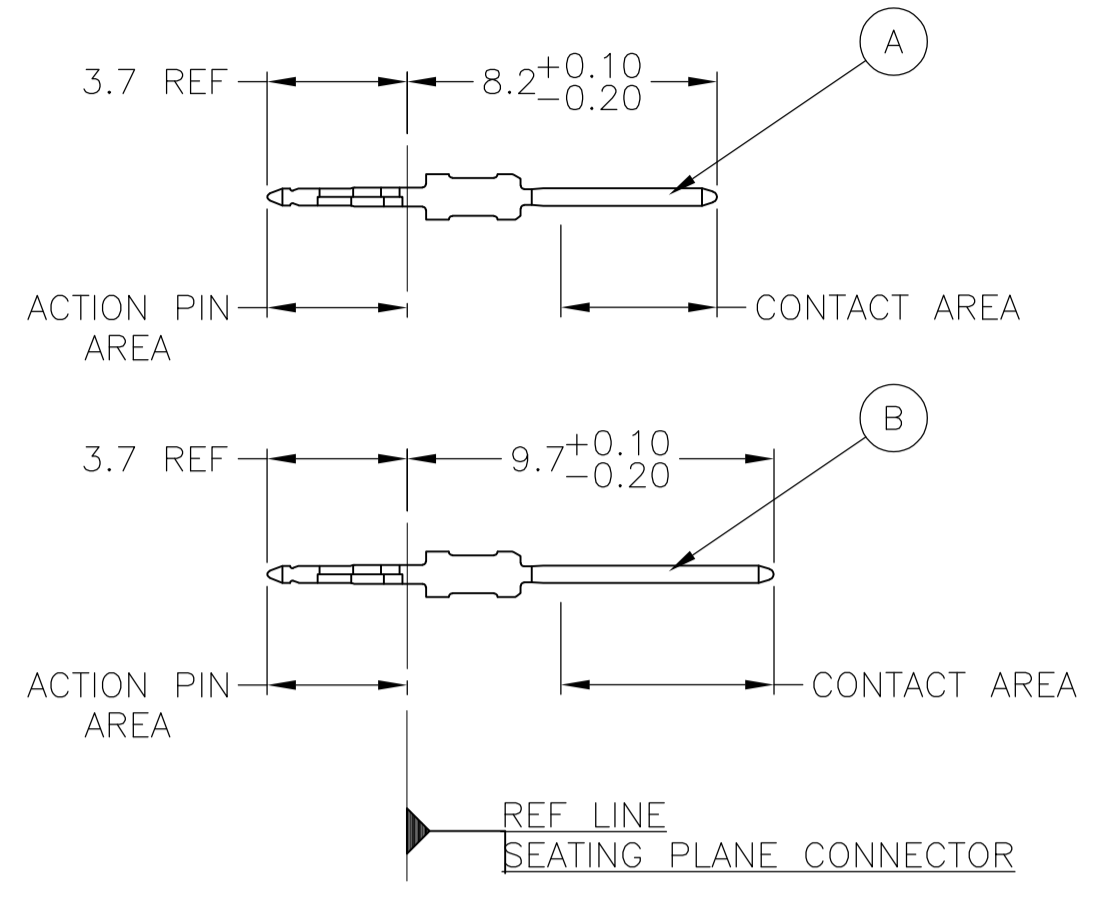


LOC		DIST		REVISIONS				
AD	00	REV	DATE	DESCRIPTION	DATE	BY	CHKD	
B		REVIS	15JUN06	PER ECN 0S12-0304-05		JDP	GES	
C		ECR-10-019054	15SEP10			SW	MQW	
D		ECR-12-010652	04DEC12			SY	AC	

### CONNECTOR ASSEMBLY EXAMPLARY LOADED



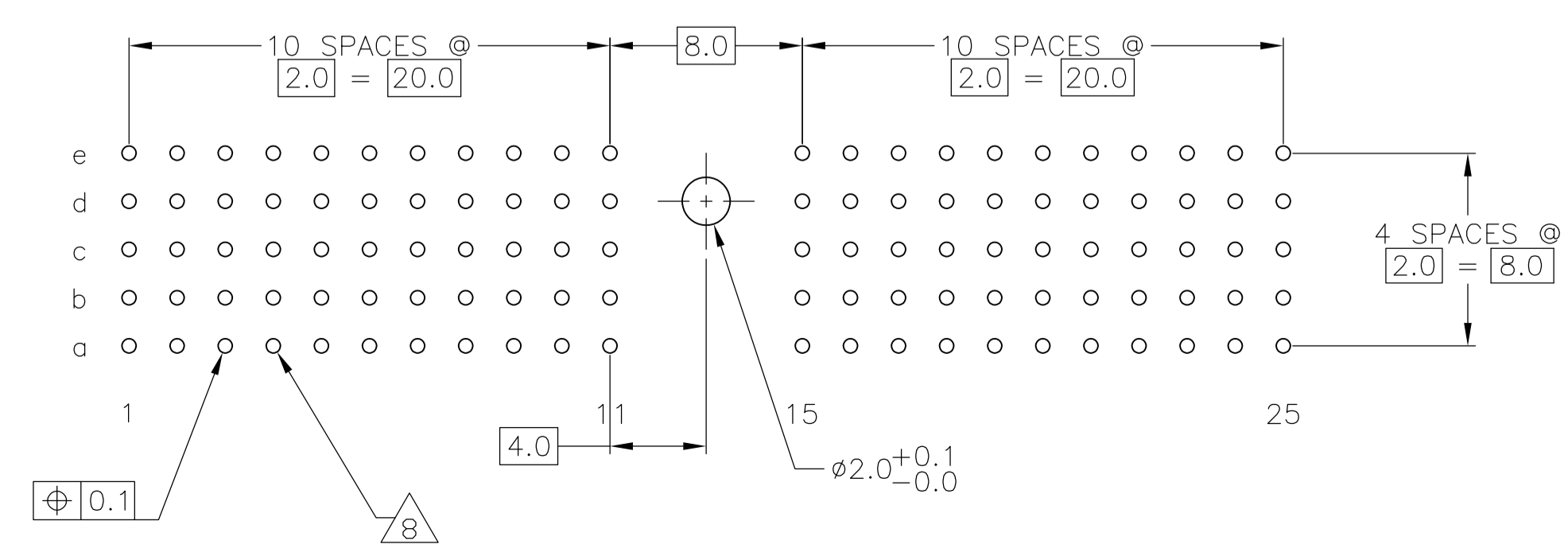
### CONTACT DIMENSIONS SCALE 5:1



### CONTACT LAYOUT

	z	a	b	c	d	e	f
1	A	A	A	A	A		
2	A	A	A	A	A		
3	A	A	A	A	A		
4	A	A	A	A	A		
5	A	A	A	A	A		
6	A	A	A	A	A		
7	A	A	A	A	A		
8	A	A	A	A	A		
9	A	A	A	A	A		
10	A	A	A	A	A		
11	B	A	A	A	B		
MULTI PURPOSE CENTER							
15	B	A	A	A	B		
16	A	A	A	A	A		
17	A	A	A	A	A		
18	A	A	A	A	A		
19	A	A	A	A	A		
20	A	A	A	A	A		
21	A	A	A	A	A		
22	A	A	A	A	A		
23	A	A	A	A	A		
24	A	A	A	A	A		
25	A	A	A	A	A		

### RECOMMENDED PCB-HOLE LAYOUT COMPONENT SIDE SHOWN




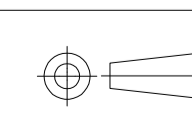
### PLATED THRU HOLES PARAMETERS REFERENCE APPLICATION SPECIFICATION

2 6 14	1-352539-9
2 5 14	352539-9
2 4 4	352539-4
2 3 3	352539-1
OBsolete	
FINISH	PART NUMBER

THIS DRAWING IS A CONTROLLED DOCUMENT.

DIMENSIONS: mm	TOLERANCES UNLESS OTHERWISE SPECIFIED:	DIN B CARBO 27JUL05	Tyco Electronics Corporation Harrisburg, Pa 17105-3608
0-PLC ±	1-PLC ±0.1	27JUL05	27JUL05
2-PLC ±	3-PLC ±	APVD G SKIPPER 27JUL05	NAME
4-PLC ±	ANGLES ±	PRODUCT SPEC	MALE ASSEMBLY, Z-PACK 2mm HM, TYPE A
MATERIAL	FINISH SEE TABLE	108-19082	SIZE CAGE CODE DRAWING NO
		114-19029	A1 00779 C=352539
		WEIGHT	RESTRICTED TO
		CUSTOMER DRAWING	SCALE 4:1 SHEET 1 OF 2 REV D

- 1 MATERIAL:  
CONTACT: PHOSPHOR BRONZE.  
HOUSING: GLASS-FILLED POLYESTER.
- 2 GENERAL PLATING SPECIFICATION: UNDERPLATING  
(ENTIRE CONTACT): 1.27µm MIN NICKEL AND ACTION  
PIN: 0.5µm MIN TIN/LEAD.  
FOR PLATING OF MATING SURFACES SEE APPLICABLE  
SPECIFICATION REFERENCE FOR EACH DASH NUMBER.
- 3 CONFORMS TO ALL TESTING ACCORDING TO IEC 61076-4-101  
PERFORMANCE LEVEL 2.
- 4 CONFORMS TO ALL TESTING ACCORDING TO IEC 61076-4-101  
PERFORMANCE LEVEL 1.
- 5 CONNECTOR TESTED AND QUALIFIED AGAINST TELCORDIA GR-1217-CORE QUALITY LEVEL 3,  
CENTRAL OFFICE APPLICATIONS.
- 6 CONNECTOR TESTED AND QUALIFIED AGAINST TELCORDIA GR-1217-CORE QUALITY LEVEL 3,  
UNCONTROLLED ENVIROMENT APPLICATIONS.
- 7 CONNECTOR MARKED WITH PART NUMBER AND DATE CODE.  
ADDITIONAL CHARACTERS OR MARKINGS, AS WELL AS THE LOCATION OF THE MARKINGS,  
MAY BE ADDED FOR TRACEABILITY BASED UPON MANUFACTURERS DISCRETION.
- 8 PLATED-THROUGH HOLES AT 2x2mm SQUARE GRID  
PATTERN DEFINED BY CONTACT LAYOUT.
- 9 FOR ACTUAL PIN LOADING SEE "CONTACT LAYOUT".
- 10 FOR ACTUAL PIN DIMENSIONS SEE "CONTACT DIMENSIONS".
- 11 AREA RESERVED FOR KEYING PART (BASIC P/N 100525)
- 12 POLARIZATION FEATURE.
- 13 TO BE MEASURED AT BOTTOM OF SHROUD.
- 14 CONNECTOR LUBRICATED WITH BELCORE APPROVED LUBRICANT,  
TECHNICAL REFERENCE: TR-NWT-001217 ISSUE 1, SEP 1992.

THIS DRAWING IS A CONTROLLED DOCUMENT.		DIN B. CARBO	27JUL05	 Tyco Electronics Corporation Harrisburg, Pa 17105-3608
		CHK G. SKIPPER	27JUL05	
DIMENSIONS: mm		TOLERANCES UNLESS OTHERWISE SPECIFIED: 0-PLG ± 1-PLG ±0.1 2-PLG ± 3-PLG ± 4-PLG ± ANGLES ±		APVD G. SKIPPER 27JUL05 NAME MALE ASSEMBLY, Z-PACK 2mm HM, TYPE A
		PRODUCT SPEC 108-19082 APPLICATION SPEC 114-19029		SIZE A1
MATERIAL SEE SHEET 1	FINISH SEE SHEET 1	WEIGHT -	CAGE CODE 00779	DRAWING NO 352539
CUSTOMER DRAWING			SCALE 4:1	SHEET 2 OF 2 REV D