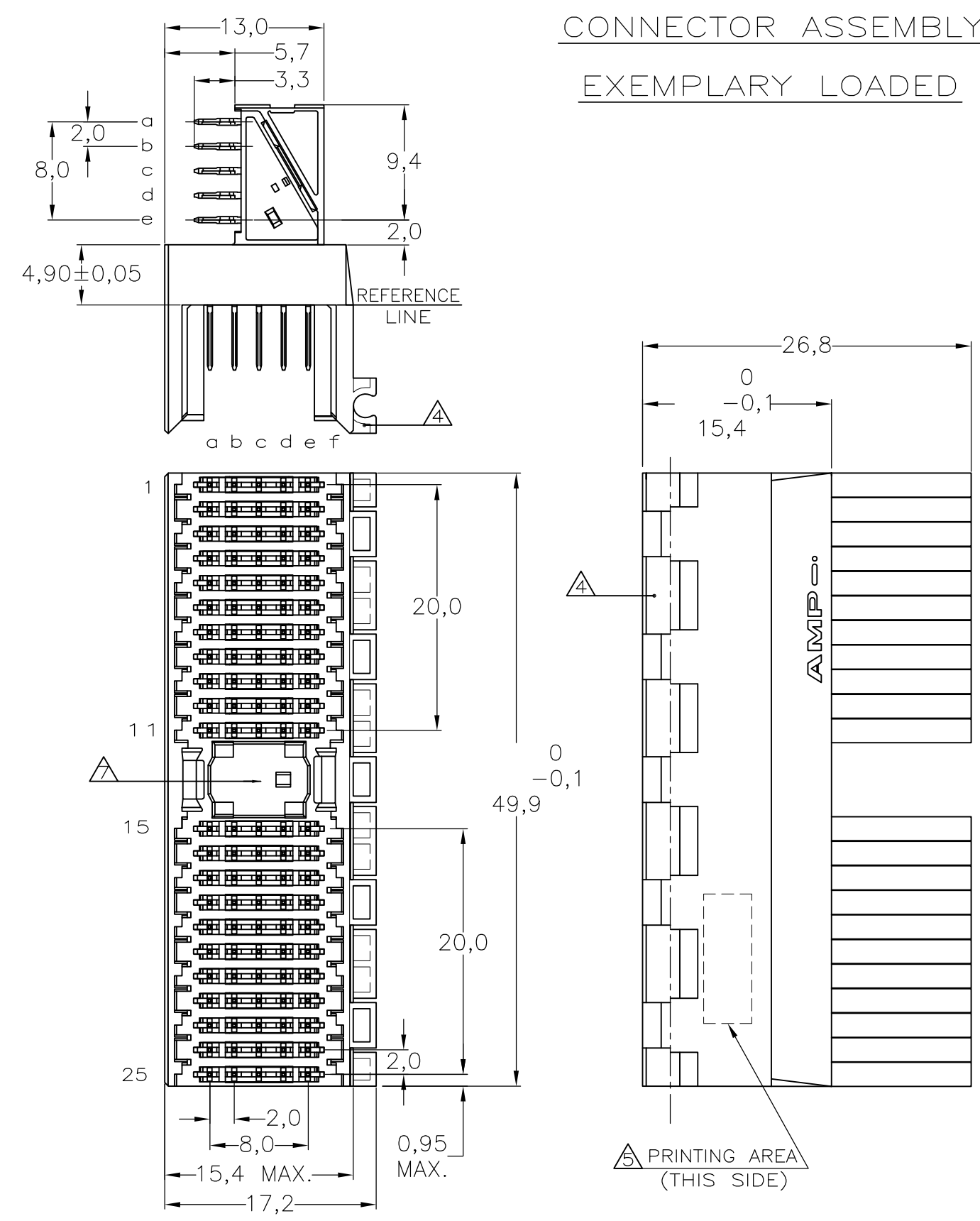
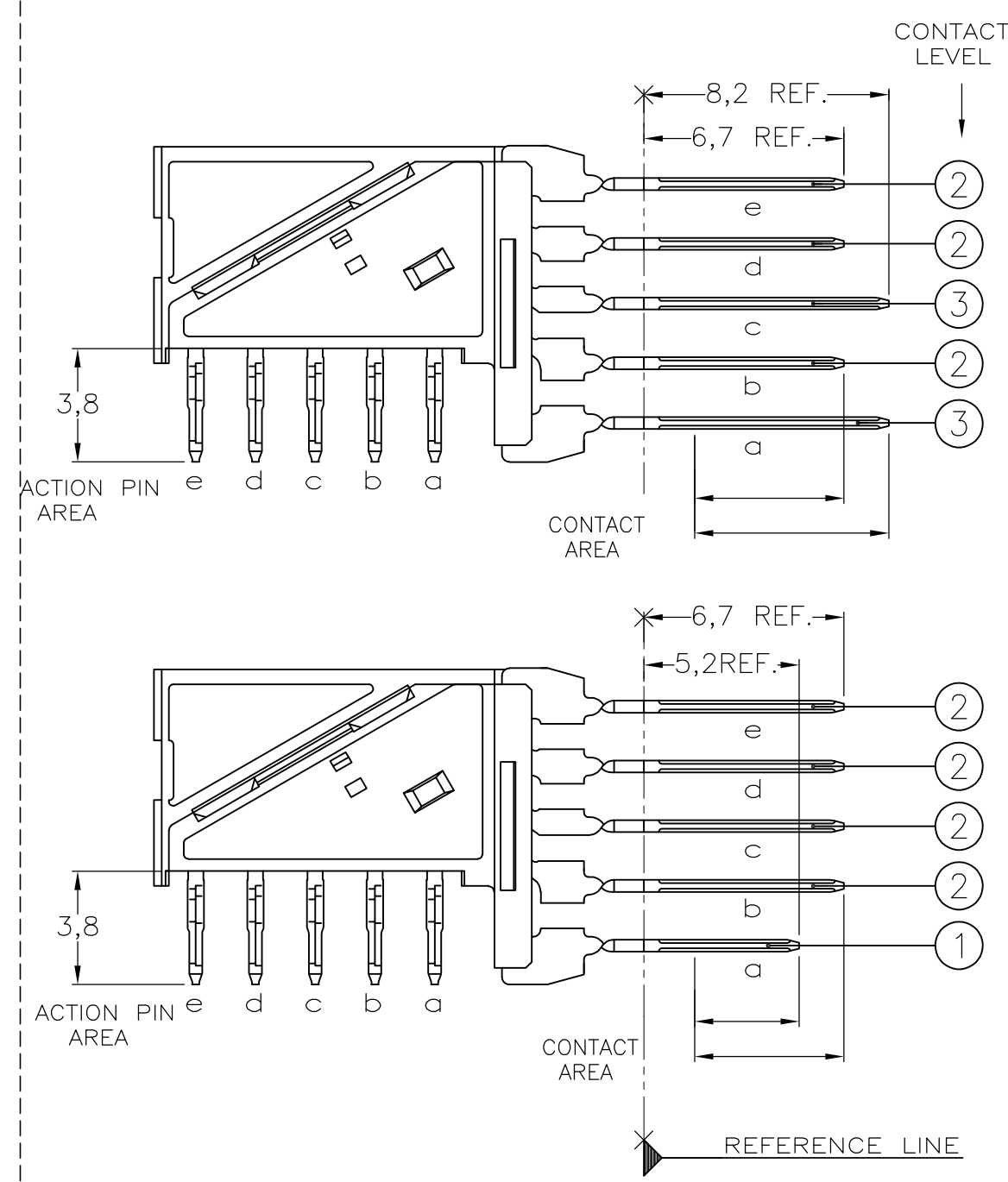


CONNECTOR ASSEMBLY EXEMPLARY LOADED

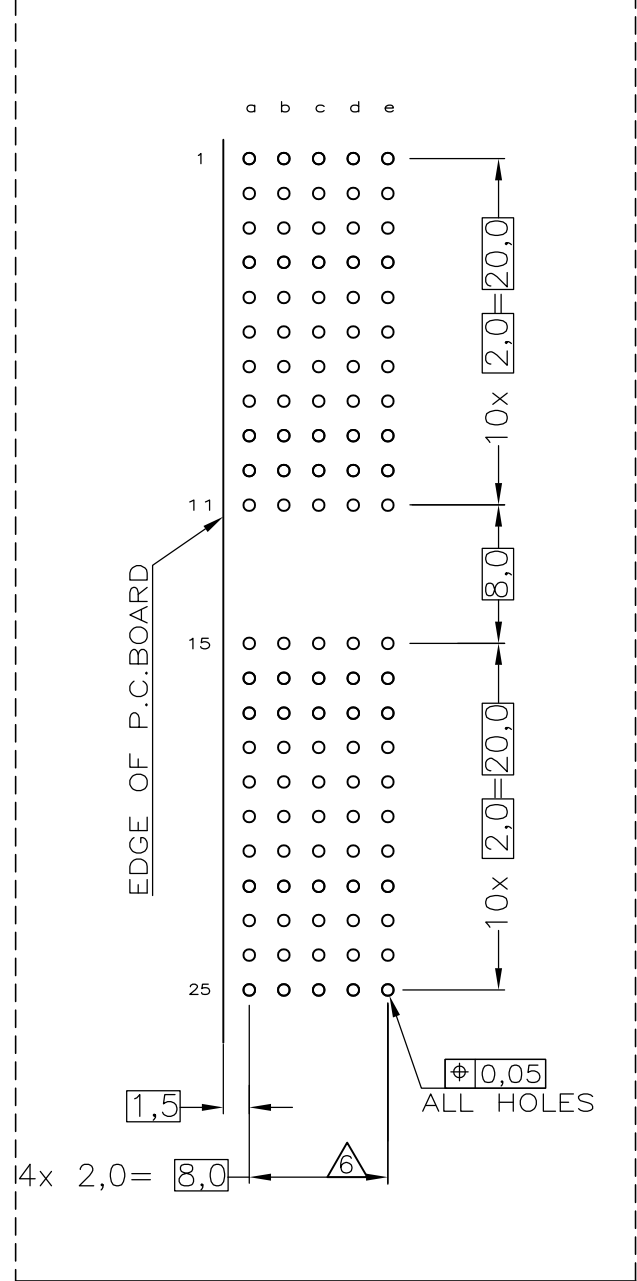


CONTACT DIMENSIONS



LOC	DIST	REVISIONS			
P	LTR	DESCRIPTION	DATE	OWN	APVD
H	-	D1	ECR-06-002635	07-02-06	BSV BM
		E	ECR-10-018652	10SEP10	JS MQW
		F	ECR-12-010652	6NOV12	SY AC

RECOMMENDED PCB-HOLE LAY-OUT COMPONENT SIDE SHOWN



CONTACT LAYOUT

	a	b	c	d	e
1	3	2	3	2	2
2	3	2	3	2	2
3	3	2	3	2	2
4	3	2	3	2	2
5	3	2	3	2	2
6	3	2	3	2	2
7	3	2	3	2	2
8	3	2	3	2	2
9	3	2	3	2	2
10	3	2	3	2	2
11	3	2	3	2	2
MULTI PURPOSE CENTRE					
15	3	2	3	2	2
16	3	2	3	2	2
17	3	2	3	2	2
18	3	2	3	2	2
19	3	2	3	2	2
20	3	2	3	2	2
21	3	2	3	2	2
22	3	2	3	2	2
23	3	2	3	2	2
24	3	2	3	2	2
25	1	2	2	2	2

P.C.B. HOLE DIM. ACTION PIN
FOR DETAILS SEE
APPLICATION SPECIFICATION

NOTES:

- ▲ MATERIAL HOUSING : GREY GLASSFILLED POLYESTER
UL-RATING V0
- ▲ CONTACT : PHOSPHORBRONZE
- ▲ GENERAL PLATING SPECIFICATION: UNDERPLATING (ENTIRE CONTACT):
1,27µm NICKEL MIN. AND ACTION PIN: 0,5µm TIN-LEAD MIN.
FOR PLATING OF MATING SURFACES SEE APPLICABLE SPECIFICATION
REFERENCE FOR EACH DASH NUMBER.
- ▲ CONFORMS TO ALL TESTING ACCORDING IEC 61076-4-101
PERFORMANCE LEVEL 2.
- ▲ CONNECTOR ASSEMBLY WITH LATCH HINGE FOR CABLE CONNECTOR.
- ▲ CONNECTOR PRINTED WITH PARTNUMBER AND DATECODE
- ▲ PLATED-THROUGH HOLES AT 2x2mm SQUARE GRID.
- ▲ AREA FOR KEYING PART (BASIC PART NUMBER 100525).

OBSOLETE	▲▲	▲	1-352233-1 ▲
	▲▲	▲	352233-1
	CONTACT FINISH	MATERIAL	PARTNUMBER

THIS DRAWING IS A CONTROLLED DOCUMENT.		DWN L.v.d.HEIJDEN 15DEC97	Tyco Electronics Corporation s-Hertogenbosch, Netherlands,	
DIMENSIONS: MM		CHK D. TRUREN 15DEC97	NAME	
TOLERANCES, UNLESS OTHERWISE SPECIFIED:		APVD F.v.KONINGSBRUGGE	PRODUCT SPEC	
0-PLG ± 1-PLG ± 2-PLG ± ±0.2 3-PLG ± 4-PLG ± ANGLES ± FINISH -		APPLICATION SPEC 114-19029	SIZE A2	CAGE CODE 00779
MATERIAL -		WEIGHT -	DRAWING NO. C-352233	RESTRICTED TO -
CUSTOMER DRAWING			SCALE NTS	SHEET 1 OF 1 REV F