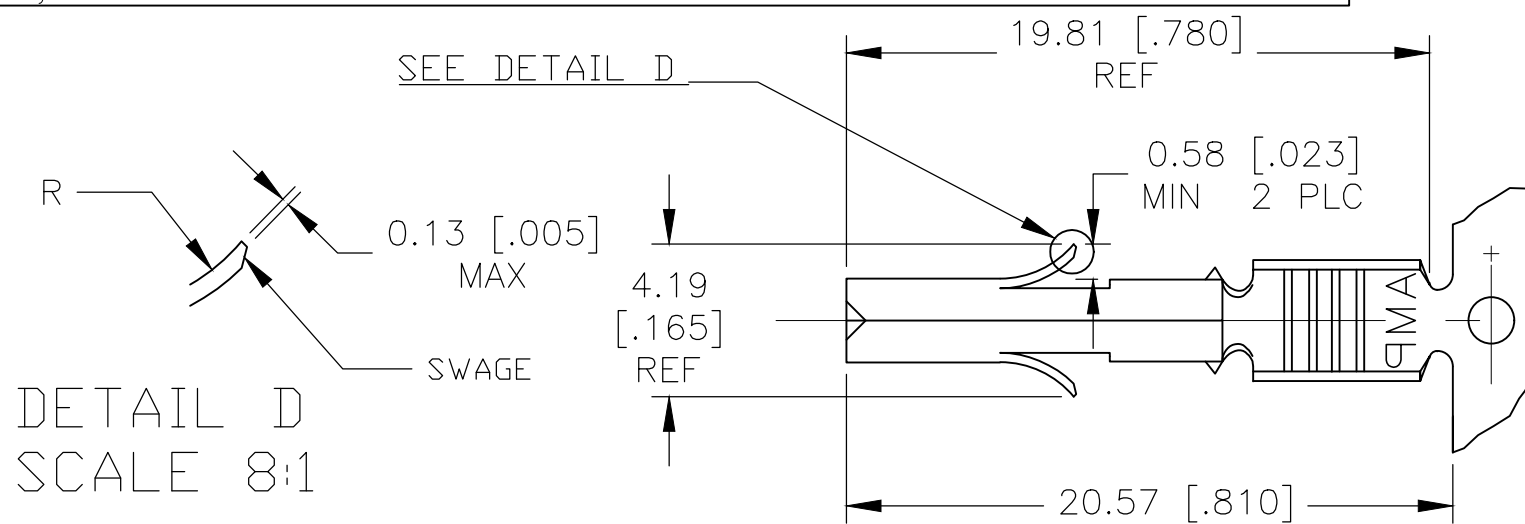
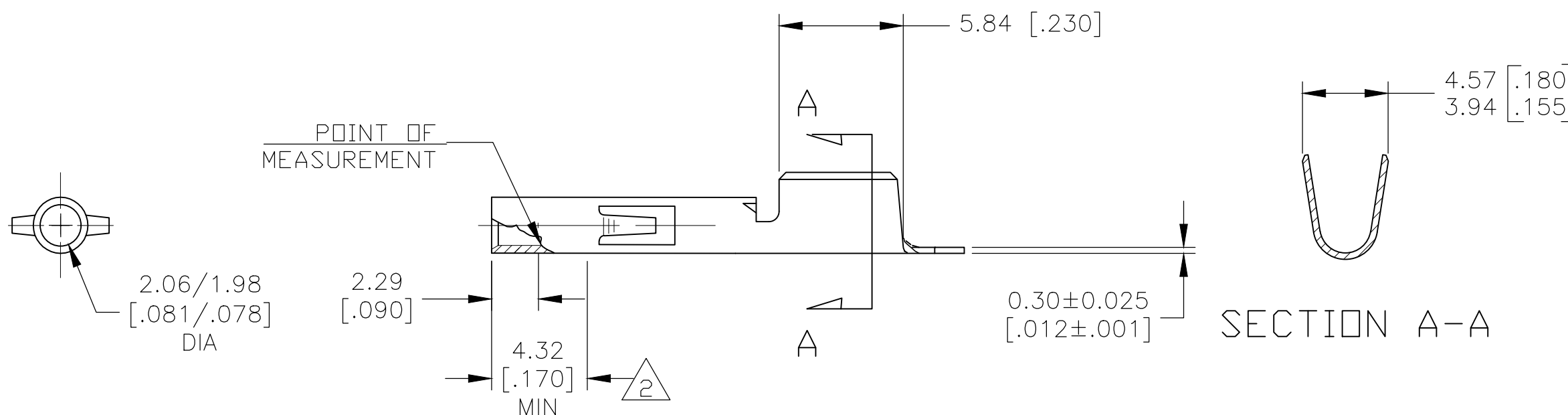


THIS DRAWING IS UNPUBLISHED. RELEASED FOR PUBLICATION ALL RIGHTS RESERVED.

LOC	DIST	REVISIONS					
AF	58	P	LTR	DESCRIPTION	DATE	DWN	APVD
			S4	REVISED PER ECR-19-001179	08FEB2019	BDA	FS



- WIRE RANGE : 12-10 AWG
INSULATION RANGE: 5.08 [.200] DIA MAX
(LIMITED BY THE CONNECTOR HOUSING CAVITY).
- 0.00076 [.000030] THK GOLD, OVER 0.00127 [.000050] NICKEL UNDERPLATE ON INSIDE OF RECEPTACLE, REMAINDER OF CONTACT IS NICKEL PLATED.
- GOLD OVER NICKEL UNDERPLATE ON ENTIRE STAMPING, 0.00076 [.000030] MIN GOLD AT POINT OF MEASUREMENT IN CONTACT AREA, GOLD FLASH MIN IN WIRE BARREL.



640310-6	GOLD $\triangle 2$	PHOS BRZ	350923-6
---	GOLD $\triangle 3$	PHOS BRZ	350923-4
640310-3	PRE-TIN	PHOS BRZ	350923-3
LOOSE PIECE P/N REF	FINISH	MATERIAL	PART NUMBER

THIS DRAWING IS A CONTROLLED DOCUMENT.

DWN	jr ruth	11OCT11	STE TE Connectivity
CHK	TOM MICHIELUTTI	11OCT11	
APVD	TOM MICHIELUTTI	11OCT11	
NAME	SOCKET UNIVERSAL MATE-N-LOK		
DIMENSIONS:	TOLERANCES UNLESS OTHERWISE SPECIFIED:	PRODUCT SPEC	APPLICATION SPEC
MM [INCHES]	0 PLC ± -	1 PLC ± -	2 PLC ± 0.25 [.010]
	3 PLC ± -	4 PLC ± -	ANGLES ± -
MATERIAL	FINISH	WEIGHT	RESTRICTED TO
-	-	-	-

CUSTOMER DRAWING

SIZE	CAGE CODE	DRAWING NO	RESTRICTED TO
A3	00779	C-350923	-
SCALE	SHEET	REV	
4:1	1 OF 1	S4	