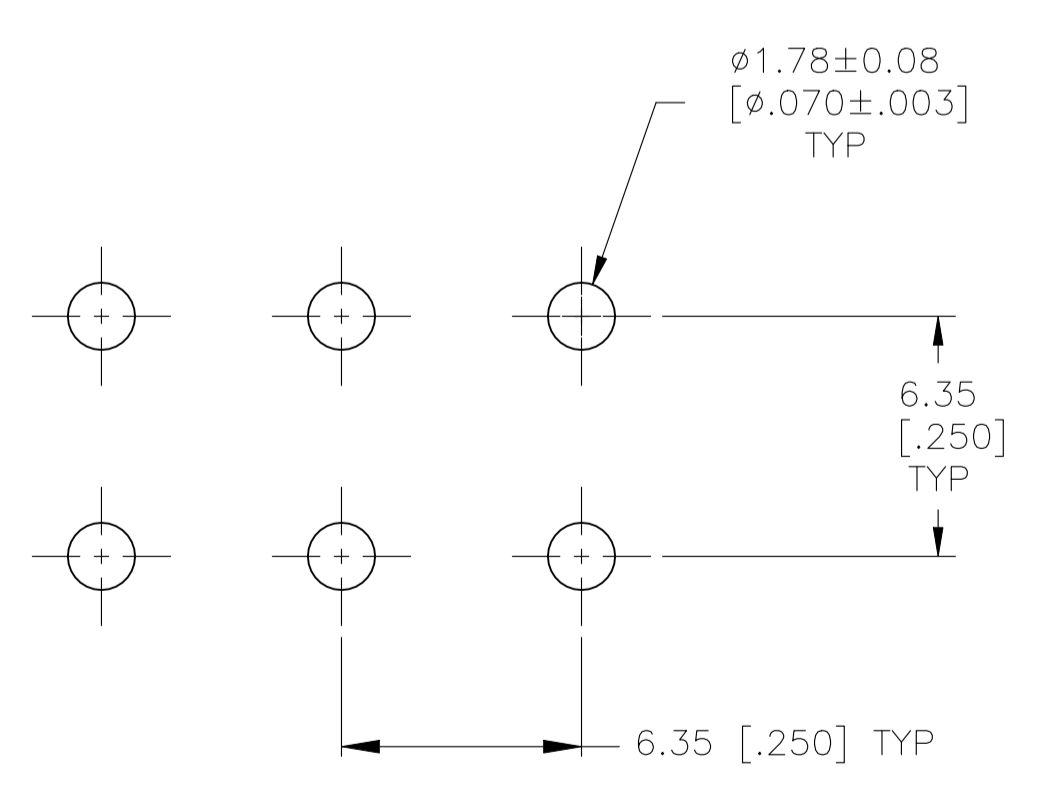
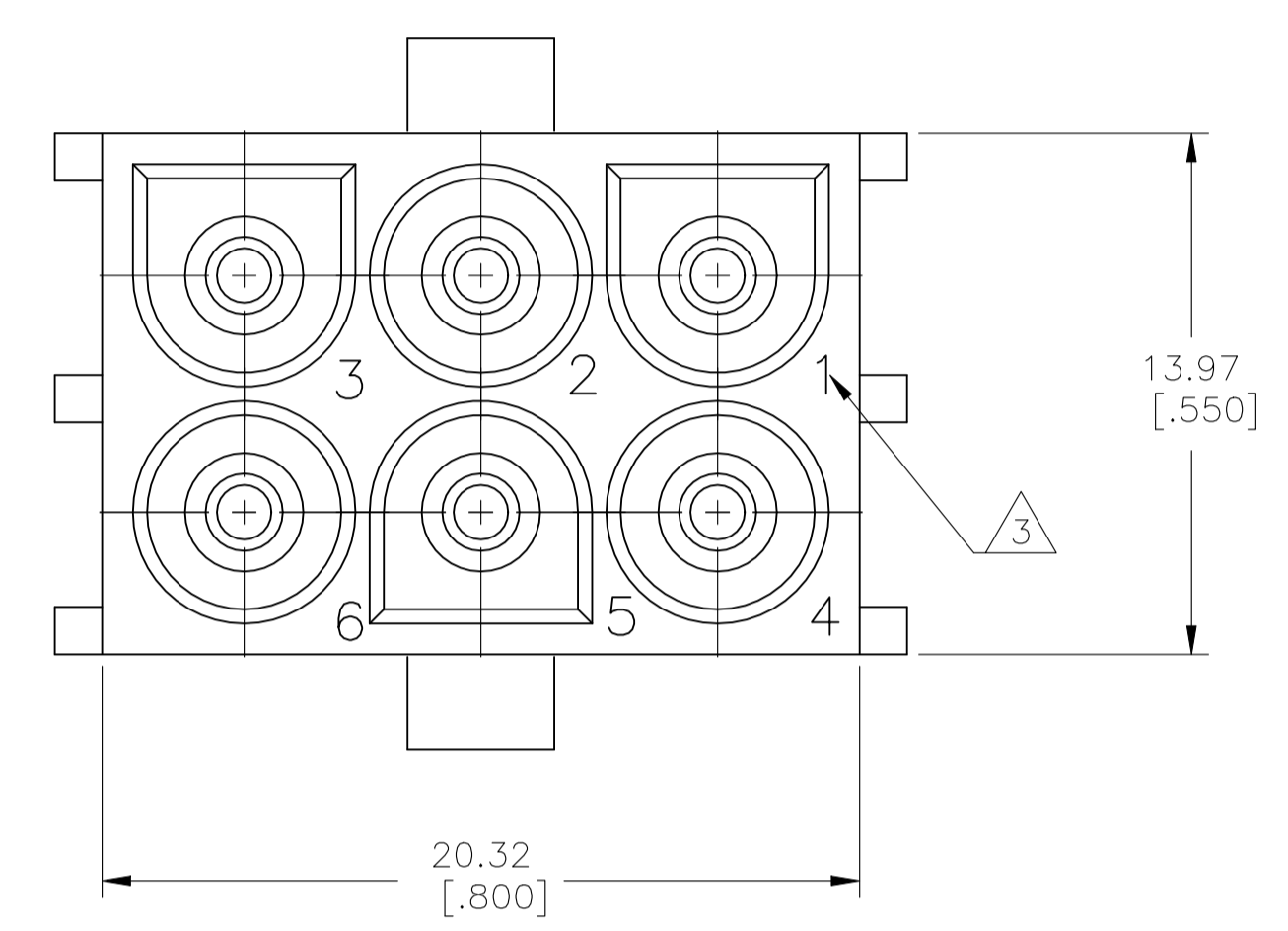
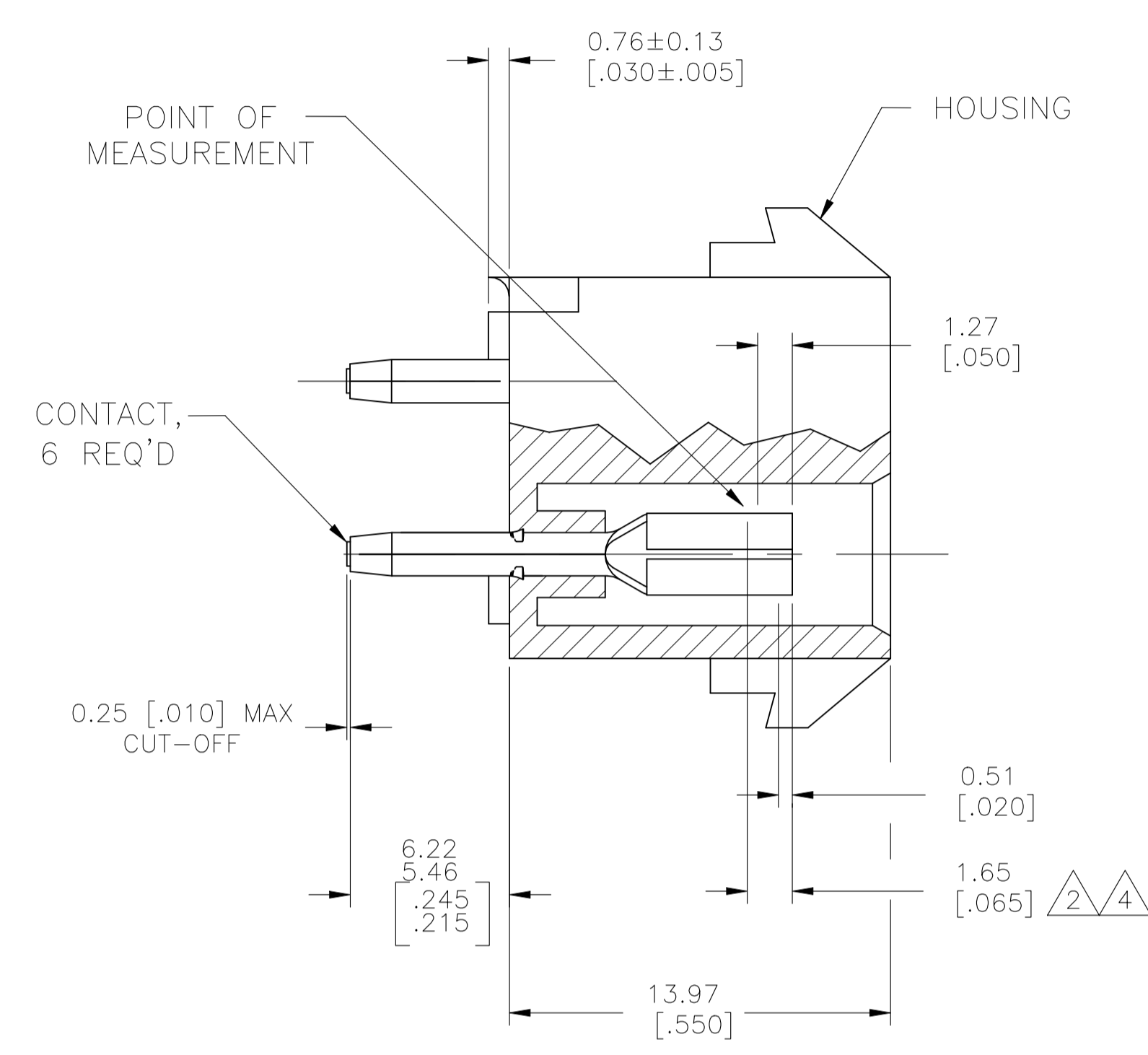
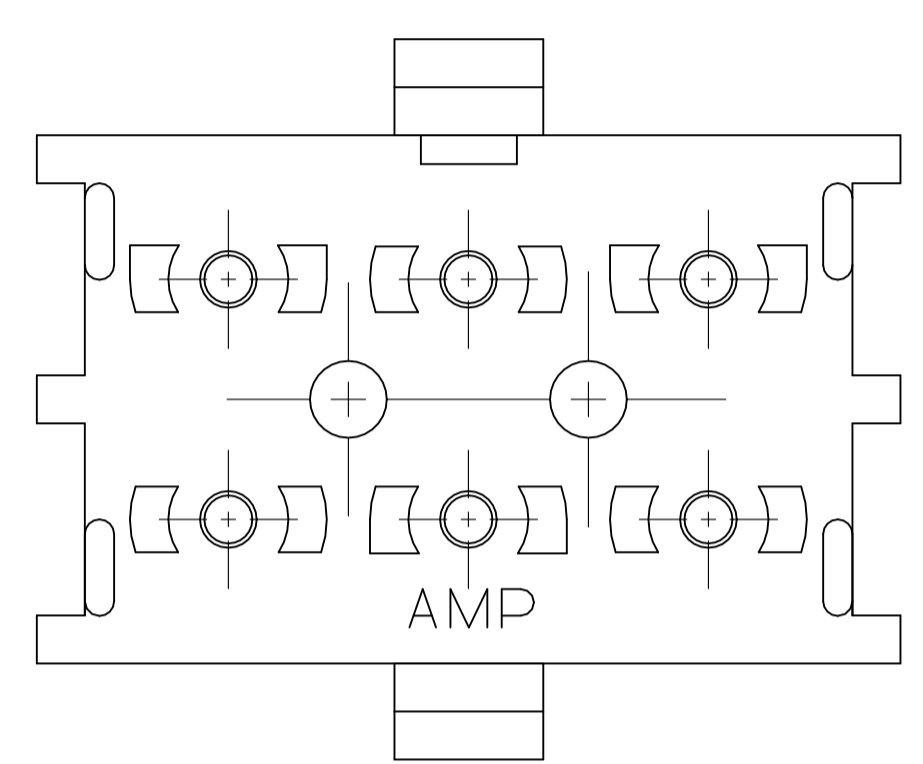


REVISIONS					
REV	DATE	DESCRIPTION	BY	CHK	APP'D
K3	21JUL2022	REVISED PER ECR-21-118222	JP	VS	

- 1 PARTS MUST COMPLY WITH AMP SOLDERABILITY SPEC 109-11-3.
- 2 CONTACT IS STAMPED FROM PRE-PLATED STOCK WHICH IS PLATED OVERALL WITH 0.00127 [.000050] NICKEL, THEN STRIPED WITH 0.00076 [.000030] GOLD IN CONTACT AREA INDICATED AND TIN-LEAD ON SOLDER TAIL END.
- 3 CIRCUIT IDENTIFICATION CHARACTERS ARE ADJACENT TO THE INDICATED CAVITIES, BUT LOCATION AND ORIENTATION MAY DIFFER FROM PRINT.
- 4 CONTACT IS PLATED OVERALL WITH 0.00127 [.000050] NICKEL, THEN 0.00076 [.000030] GOLD OVER CONTACT LENGTH INDICATED AND MATTE TIN ON SOLDER TAIL END.
- 5 SUPERSEDED BY 350834-4
- 6 DIMENSIONS SHOWN REPRESENT PRODUCT IN DRY CONDITION. ADDITIONAL 2% GROWTH DUE TO END USE LOCATION MOISTURE ABSORPTION MAY OCCUR AND SHOULD BE ACCOUNTED FOR.



RECOMMENDED LAYOUT FOR 3.18 [.125] THICK PC BOARD

5	PH BRZ GOLD 4	NYLON,UL 94V-0	350834-4
	PH BRZ GOLD 2	NYLON,UL 94V-0	350834-2
	PH BRZ TIN	NYLON,UL 94V-0	350834-1
	CONTACT	HOUSING	PART NO

THIS DRAWING IS A CONTROLLED DOCUMENT.

DIMENSIONS: mm [INCHES]	TOLERANCES UNLESS OTHERWISE SPECIFIED:	DIN K. WHITAKER 11OCT2005 CHK S. RIDGILL 11OCT2005 APP'D S. RIDGILL 11OCT2005	NAME 6 CIRCUIT UNIVERSAL MATE-N-LOK (TM) P.C. BOARD SOCKET HEADER ASSEMBLY
0. PLC ± 1. PLC ± 2. PLC ± 3. PLC ± 0.13 [.005] 4. PLC ± ANGLES ±	FINISH SEE TABLE	APPLICATION SPEC —	SIZE A1
MATERIAL SEE TABLE	FINISH SEE TABLE	WEIGHT —	RESTRICTED TO CUSTOMER DRAWING

SCALE 5:1 SHEET 1 OF 1 REV K3