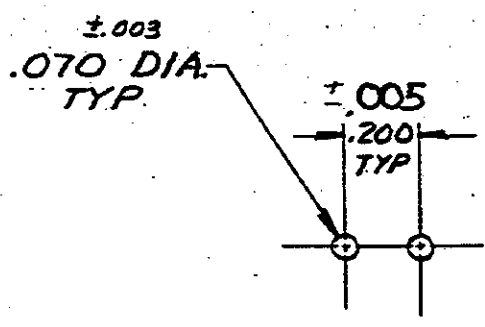
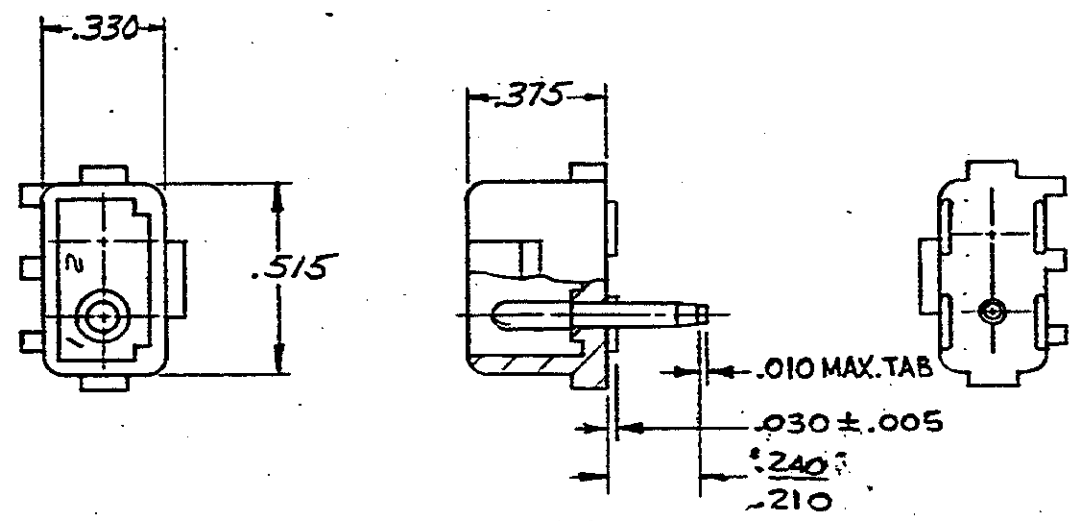


62
S

WAS P-73-G101

DIMENSIONS IN INCHES. DO NOT SCALE PRINT.



RECOMMENDED LAYOUT FOR
.125 THICK P.C. BOARD

- 1. PARTS COMPLY WITH AMP SOLDERABILITY SPEC. NO. 109-11-3
- 2. DIMENSION SHOWN REPRESENT PRODUCT IN DRY CONDITION. ADDITIONAL 2% GROWTH DUE TO END USE LOCATION MOISTURE ABSORPTION MAY OCCUR AND SHOULD BE ACCOUNTED FOR.

Unpublished copy not to be reproduced nor published without written permission of AMP Incorporated

L1	REVISED PER ECR-21-117185	PJ	VS	20OCT2021
L	OBSOLETE -2 PER ECN CM-2709	RS	RS	6/24/73
K	OBSOLETE L1, 2-131 4-1, 5-1, 6-1, 7-1, 8-1, 9-1 1-2, 2-2, 3-2, 4-2, 5-2, 6-2 7-2, 8-2, 9-2 CM-473	KW	RS	4/18/86

J	RESTORED	RS	RS	4/18/86
J	REV. PER M-7375	ST	QM	8-29-83
H	252 Added Note 2, M-7285	JMS	DH	3/11/83
G	ADDED NOTE 2, M-6694	MSF	DH	11-25-81
F	REMOVED STRIP, m-6543	MSF	DH	8-17-80
E	REV. Tail Length M-5334	MSF	DH	8-29-79
D	REVISED m-4161	MF	DH	3-7-77
C	ECN M-3871	PW	DH	9-76
B	ECN m-3452	GR	REF	3/18/76
A	ECN M-2156	ER	REF	7/2/73
LTR	REVISION RECORD	DR	CHK	DATE

REQUIRED PER ASSEMBLY	

ASSEMBLY NO. 350540-1 HSG. MATL & COLOR NYLON - NATURAL PIN MATL & FINISH copper alloy PRE-TIN

© 1973 BY AMP INCORPORATED. ALL RIGHTS RESERVED. AMP PRODUCTS COVERED BY PATENTS AND/OR PATENTS PENDING.

DR *g. Echner* 3-29-73

CHK *L.M. Feltz* 1/9/73

DE *Thumler* 4-10-73

APP *Thumler* 4-10-73

MATERIAL AND FINISH: SEE TABLE

CLASS: .084 DIA. PIN

TYPE: POSITIVE LOCK

WIRE RANGE - INSULATION: II

TOLERANCE EXCEPT AS NOTED: ± .015 ± 1.0%

SCALE: II

LOC: **CM B** NO: **350540**

NAME: 2 CIRCUIT MATE-N-LOK P.C. BOARD HEADER

A B C D