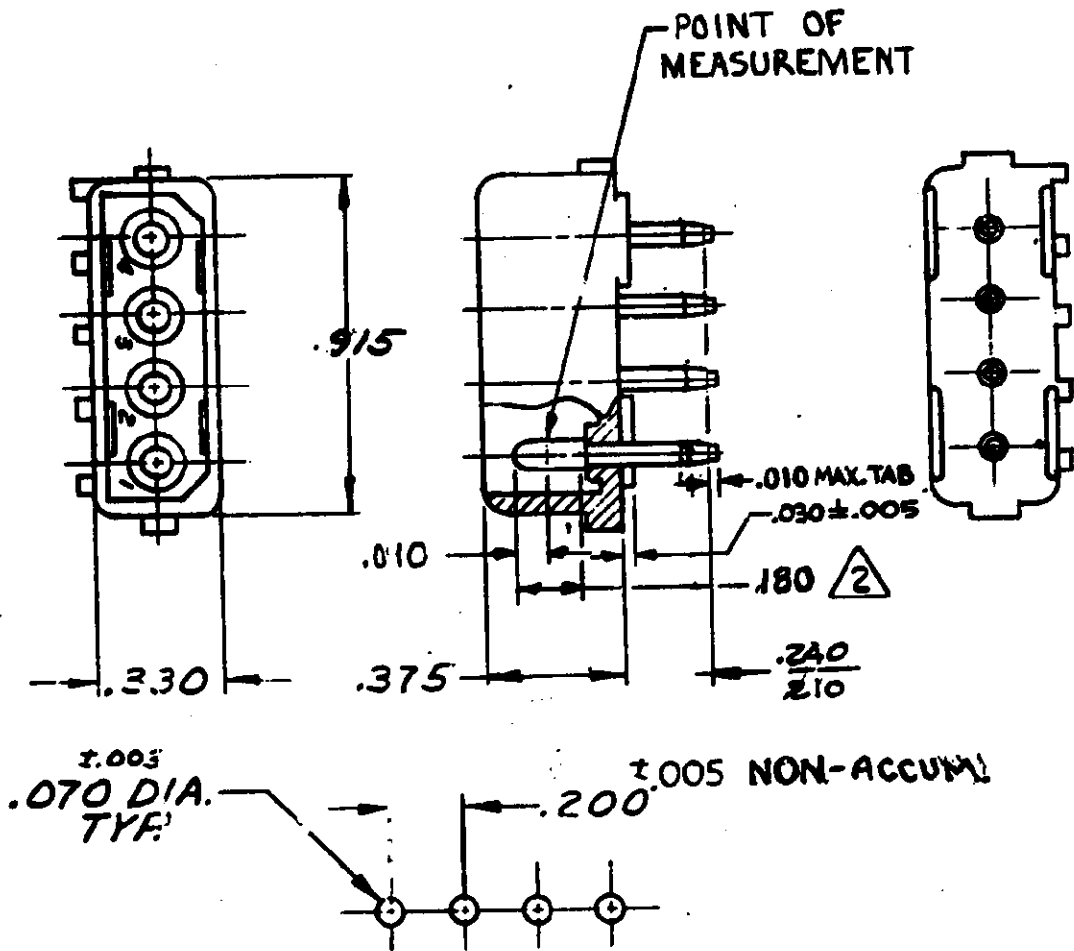


S



RECOMMENDED LAYOUT FOR  
.125 THICK P.C. BOARD

1. PARTS COMPLY WITH TE SOLDERABILITY

SPEC. NO. 109-11-3

2. CONTACT IS PLATED OVERALL WITH .000050 NICKEL, THEN .000030 GOLD OVER CONTACT LENGTH INDICATED AND TIN PLATED ON SOLDER TAIL END.

3. DIMENSION SHOWN REPRESENT PRODUCT IN DRY CONDITION. ADDITIONAL 2% GROWTH DUE TO-END USE LOCATION MOISTURE ABSORPTION MAY OCCUR AND SHOULD BE ACCOUNTED FOR.

OBSOLETE

ASSEMBLY NO.	HSG. MATL & COLOR.	PIN MATL & FINISH
9-350424-2	NYLON - BLACK	COPPER ALLOY - GOLD 2
8-350424-2	- GRAY	-
7-350424-2	- VIOLET	-
6-350424-2	- BLUE	-
5-350424-2	- GREEN	-
4-350424-2	- YELLOW	-
3-350424-2	- ORANGE	-
2-350424-2	- RED	-
1-350424-2	- BROWN	-
<del>350424-2</del>	<del>- NATURAL</del>	<del>- GOLD 2</del>
9-350424-1	- BLACK	- PRE-TIN
8-350424-1	- GRAY	-
7-350424-1	- VIOLET	-
6-350424-1	- BLUE	-
5-350424-1	- GREEN	-
4-350424-1	- YELLOW	-
3-350424-1	- ORANGE	-
2-350424-1	- RED	-
1-350424-1	- BROWN	-
350424-1	NYLON - NATURAL	COPPER ALLOY - PRE-TIN

K4	REVISED PER ECR-21-117185	PJ	VS	20OCT2021
K3	REVISED PER ECR-15-006702	NK	PQ	29JUL2015
LTB	REVISION RECORD	DR	CHK	DATE

9. Elm... 6-27-73	MATERIAL AND FINISH	SEE TABLE		TE Connectivity	
6-78-73	WIRE - RANGE - INSULATION	TYPE		CLASS	#
	SCALE	CM	B	NO	350424
NAME		4 CIRCUIT MATE-N-LOK P.C. BOARD PIN HEADER			

DIMENSIONS IN INCHES. DO NOT SCALE PRINT.