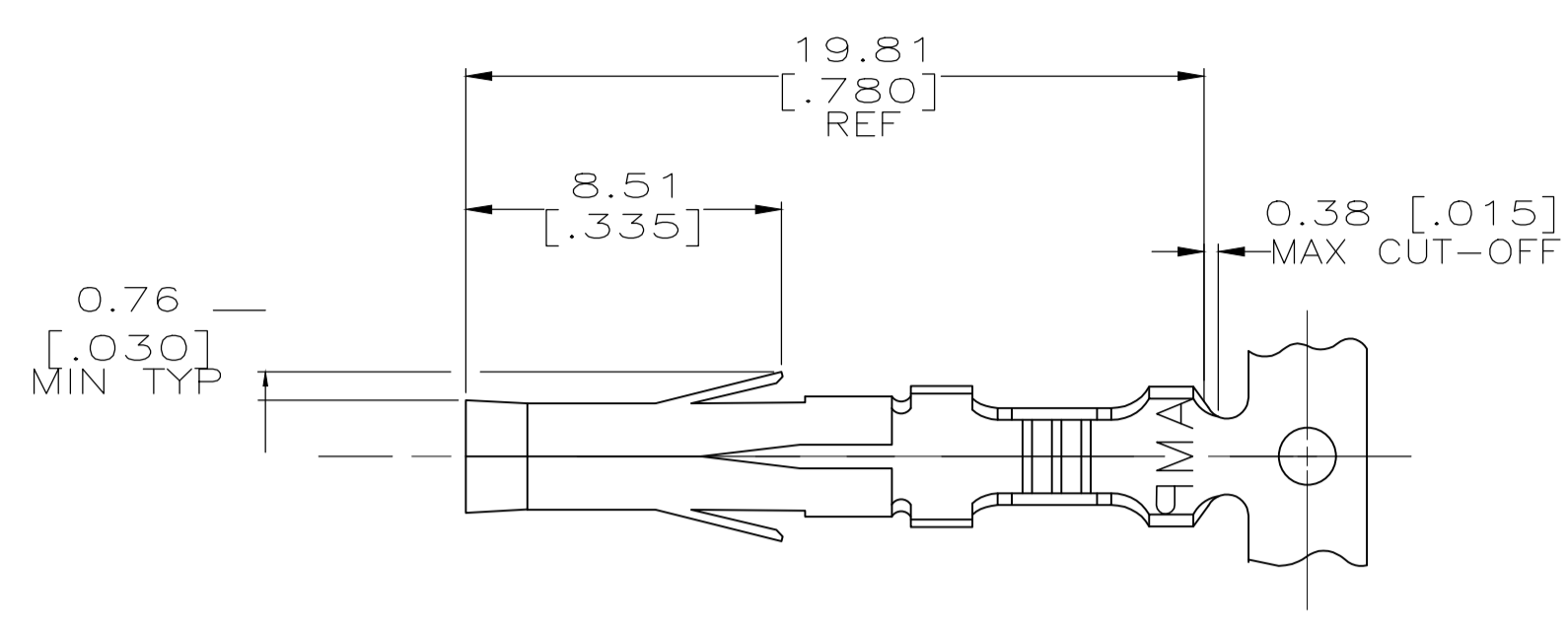
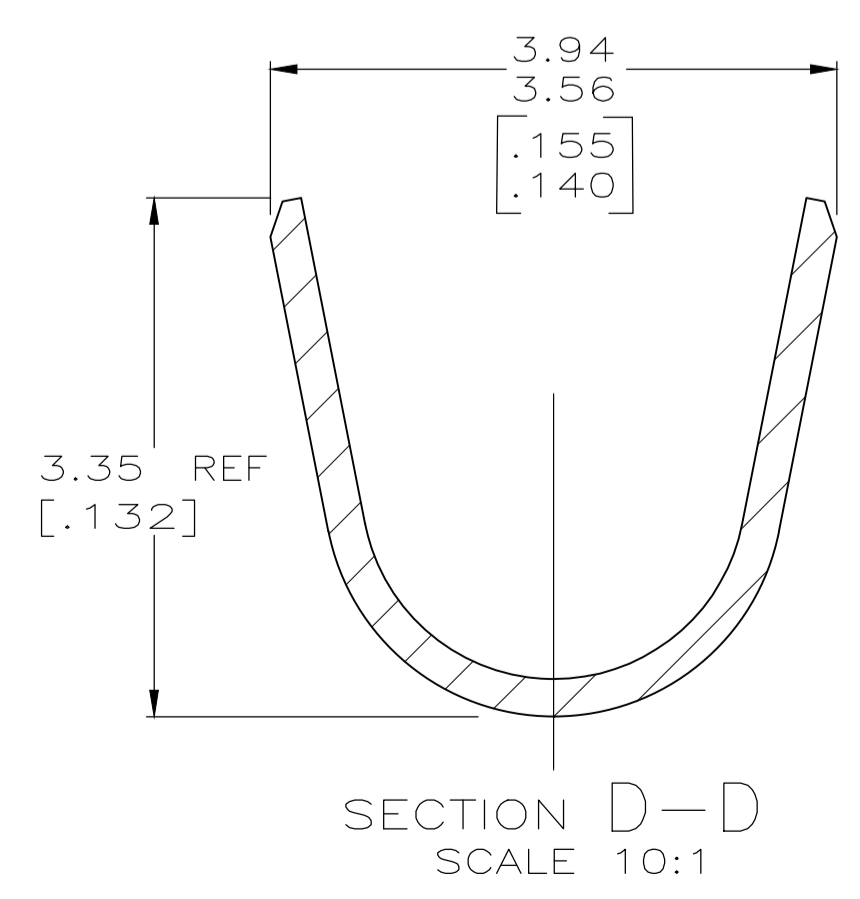
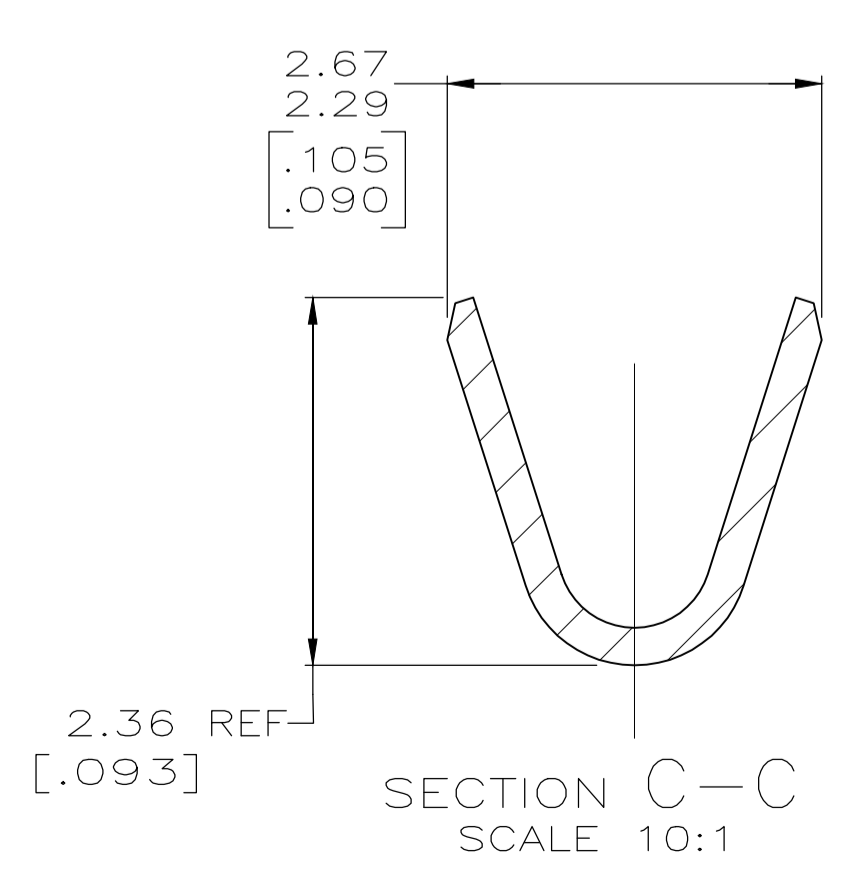
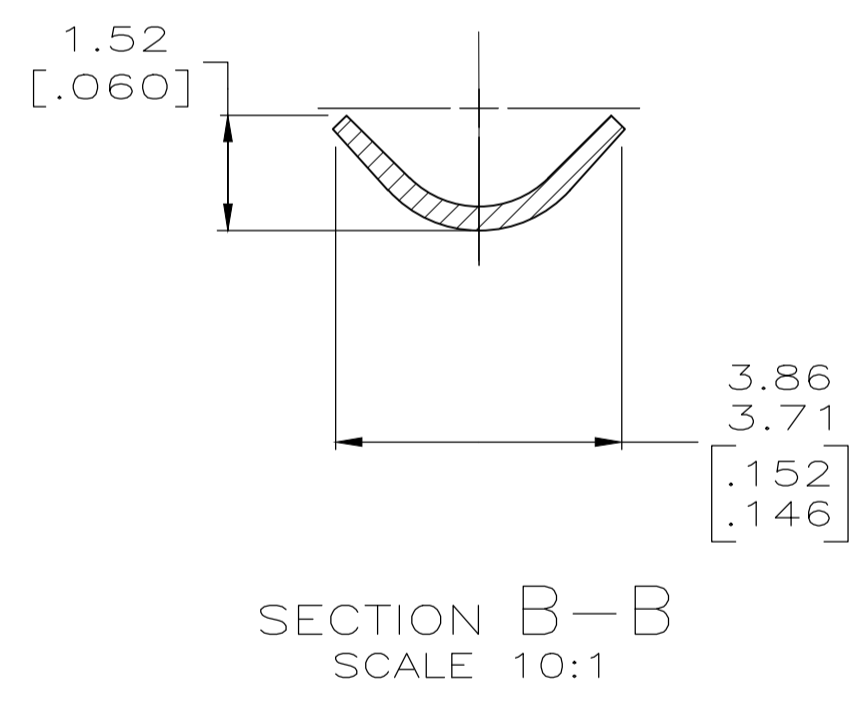
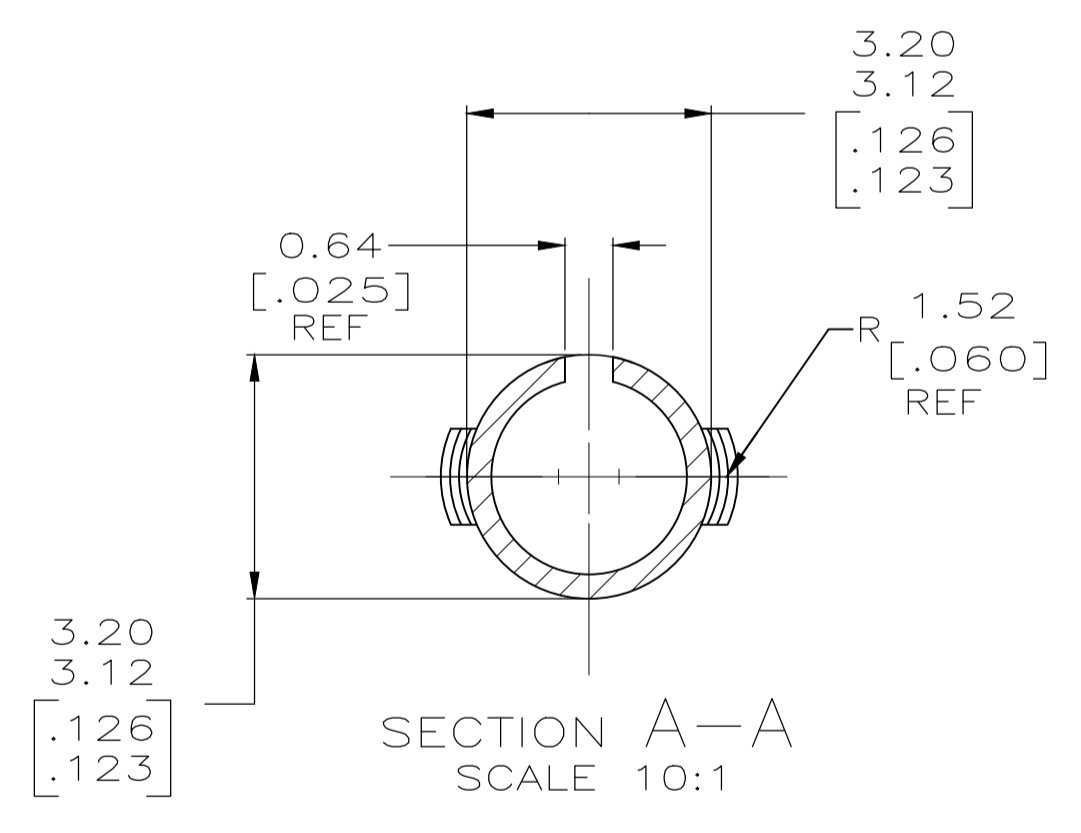
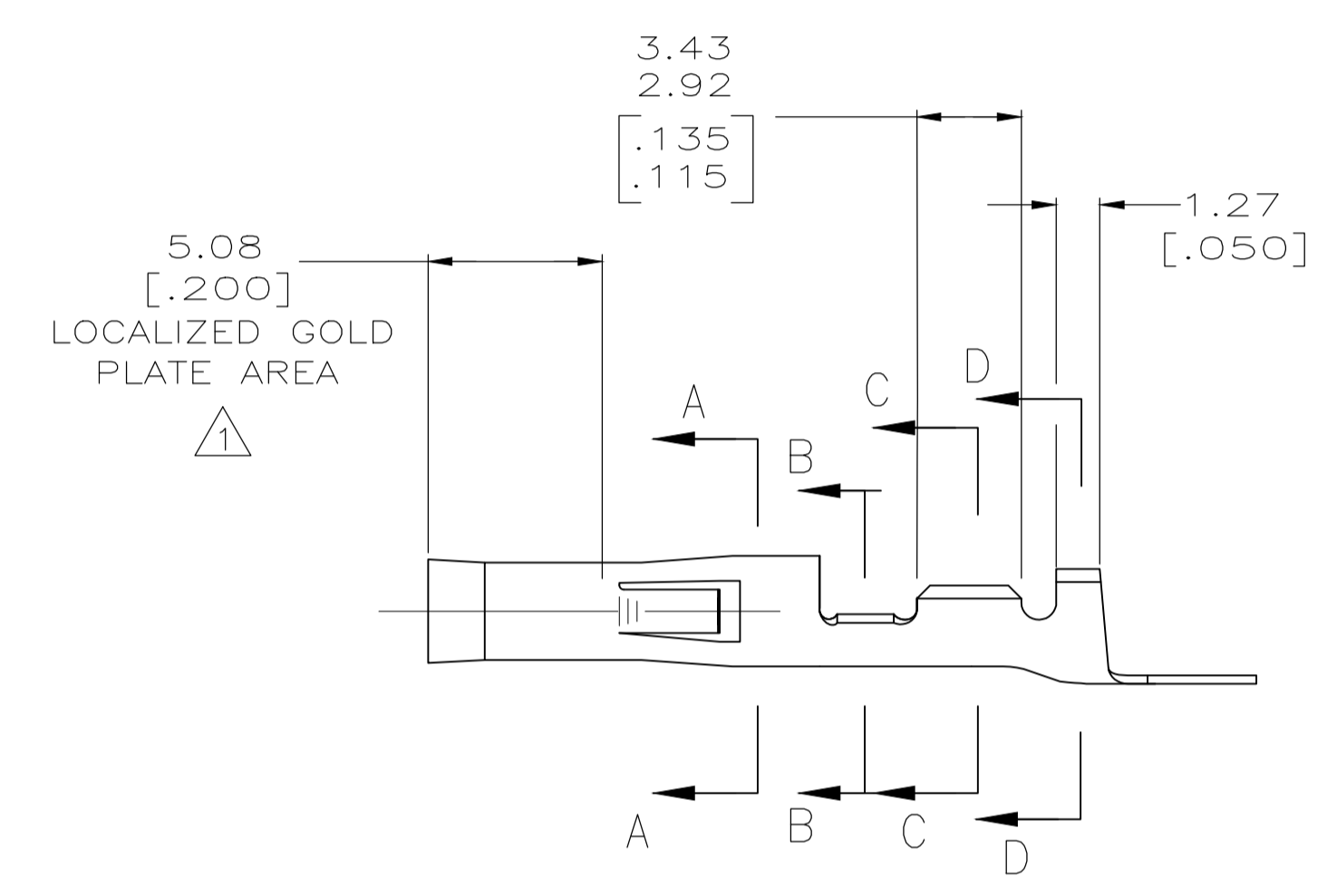
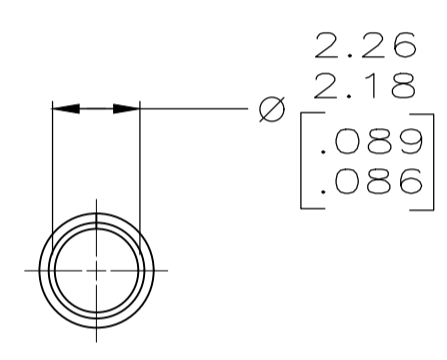


LOC	DIST	REVISIONS			
P	LTR	DESCRIPTION	DATE	DMN	APVD
CM	0				
AP3	REVISED PER	REVISED PER ECR-18-015418	13DEC2018	WH	DZ



- ① 0.000762 [.000030] MIN GOLD IN LOCALIZED GOLD PLATE AREA OVER 0.00127 [.000050] MIN NICKEL.
- 2 WIRE RANGE: 0.3 - 0.84mm<sup>2</sup> (24-18 AWG).
- 3 INSULATION RANGE: 2.79 [.110] MAX. DIA.
- 4 DIMENSIONS IN BRACKETS ARE IN INCHES.
- ⑤ 0.00127 [.000050] MIN NICKEL



**METRIC**

⑤	0.25 [.010] PH BRZ	350417-8
GOLD STRIPE	0.25 [.010] BRASS	350417-5
①	0.25 [.010] BRASS	350417-3
PRE-TIN	0.25 [.010] BRASS	350417-1
FINISH	MATERIAL	PART NO

DIMENSIONS:		TOLERANCES UNLESS OTHERWISE SPECIFIED:		DIN		STE	
mm	[INCHES]	0 PLC	± -	K	WHITAKER	22NOV2005	TE Connectivity
		1 PLC	± -	CHK	D. COLEY	22NOV2005	
		2 PLC	± -	APP'D	D. COLEY	22NOV2005	
		3 PLC	± 0.13 [.005]	NAME	.093 SOCKET		
		4 PLC	± -	PRODUCT SPEC	108-1038		
		ANGLES	± 0°30'	APPLICATION SPEC	114-49000		
MATERIAL	SEE TABLE	FINISH	SEE TABLE	SIZE	CAGE CODE	DRAWING NO	RESTRICTED TO
				WEIGHT	A1	00779	350417
CUSTOMER DRAWING				SCALE	N/A	SHEET	1 OF 1
				REV	AP3		