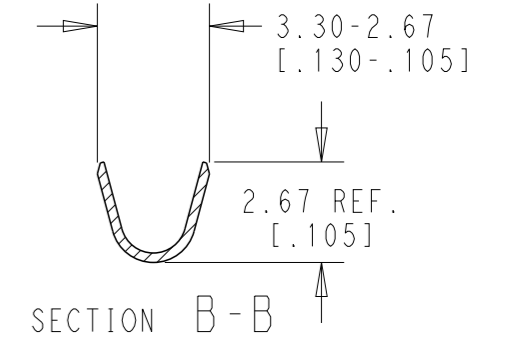
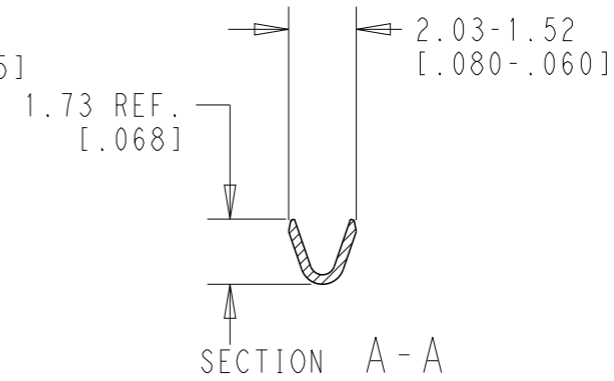
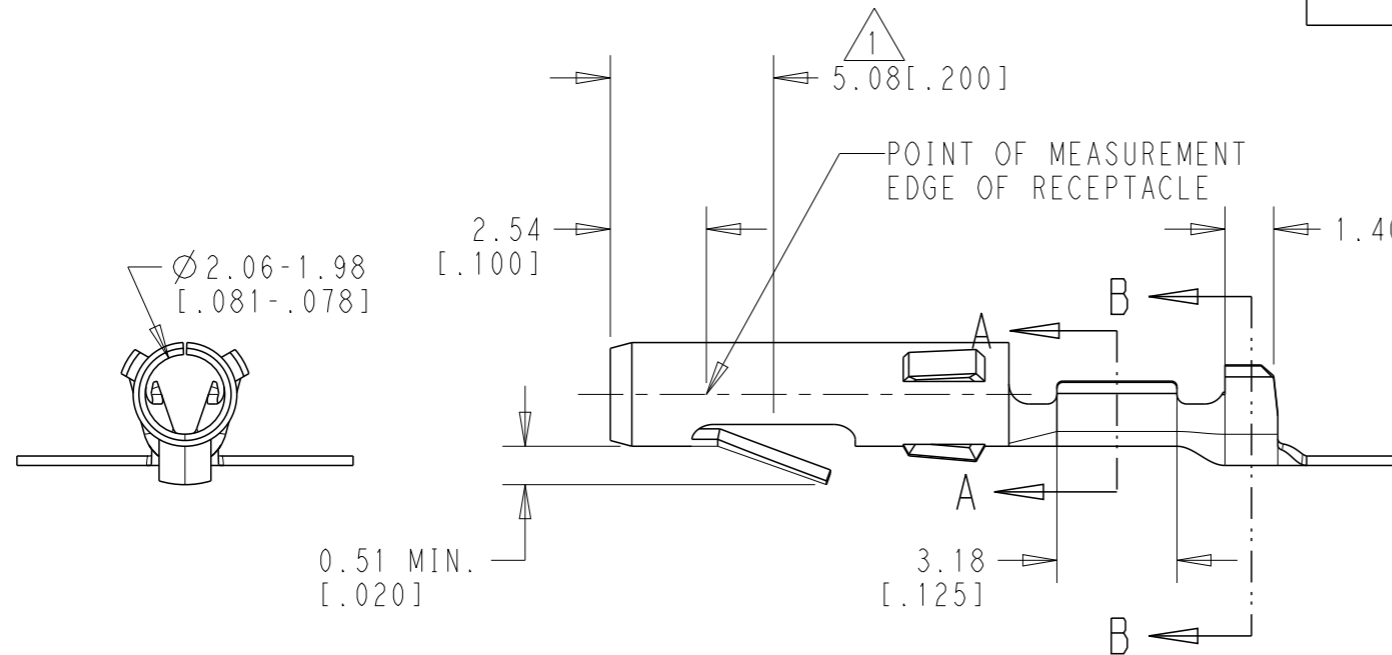
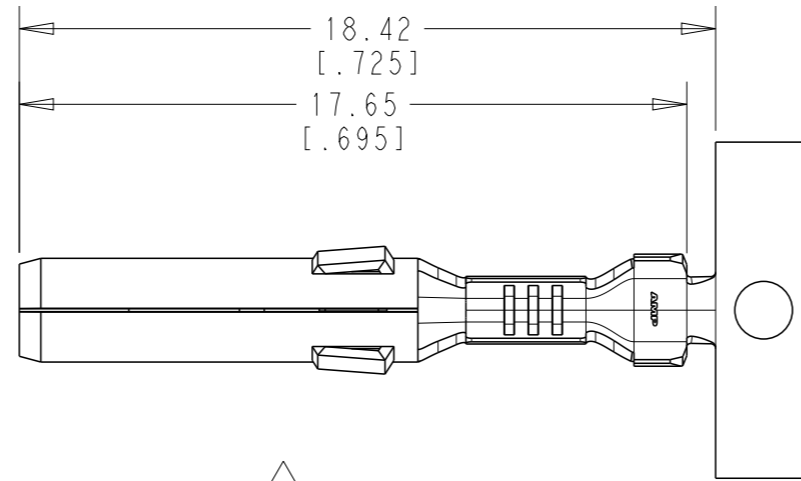
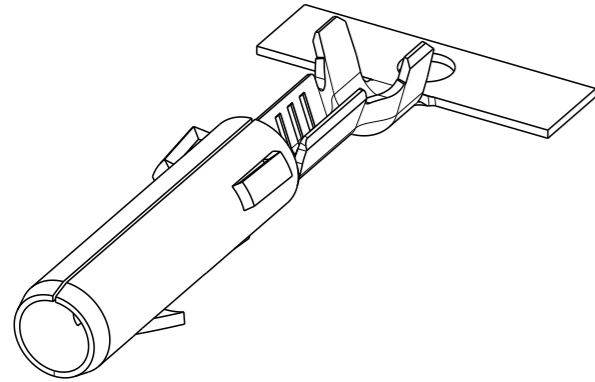


| P | LTR | DESCRIPTION | DATE | DWN | APVD |
|---|-----|---------------------------|-----------|-----|------|
| | N1 | REVISED PER ECO-11-005294 | 14APR2011 | RK | - |
| | N2 | REVISED PER ECN-23-233438 | 02OCT2023 | WLS | VS |
| | | | | | |
| | | | | | |



NOTES:

- 1 .000030 THK GOLD OVER NICKEL ON INSIDE OF RECEPTACLE & WIRE BARREL; REMAINDER OF CONTACT IS NICKEL PLATED.
- 2. WIRE RANGE: 0.05 - 0.4mm² [30 - 22 AWG].
- 3. INSULATION RANGE: 1.02-1.91 [.040-.075] MAX DIA.
- 4. DIMENSIONS IN BRACKETS ARE IN INCHES.

| | | |
|---------|-------------------|----------|
| 1 | 0.30 [.012] BRASS | 350078-5 |
| PRE-TIN | 0.30 [.012] PH BZ | 350078-4 |
| PRE-TIN | 0.30 [.012] BRASS | 350078-1 |
| FINISH | MATERIAL | PART NO |

| | | | | |
|--|--|---------------------------------|---|------------------------|
| THIS DRAWING IS A CONTROLLED DOCUMENT. | | DWN S. RAMESH 03JUL2023 | TE Connectivity | |
| DIMENSIONS: mm [INCHES] | | CHK W. STEFANI 15AGO2023 | | |
| TOLERANCES UNLESS OTHERWISE SPECIFIED: | | APVD V. SHEETAR 25AGO2023 | NAME SOCKET COMMERCIAL MATE-N-LOK | |
| 0 PLC ±- | | PRODUCT SPEC 108-1000 | SIZE A3 | |
| 1 PLC ±- | | APPLICATION SPEC 114-1012 | CAGE CODE 00779 | DRAWING NO C-350078 |
| 2 PLC ±- ±0.38 | | WEIGHT - | RESTRICTED TO - | |
| 3 PLC ±- [.015] | | CUSTOMER DRAWING | SCALE 5:1 | SHEET 1 OF 1 |
| 4 PLC ±- | | | | REV N2 |
| ANGLES ±1° | | | | |
| FINISH SEE TABLE | | | | |
| MATERIAL SEE TABLE | | | | |