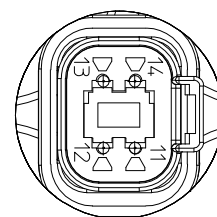
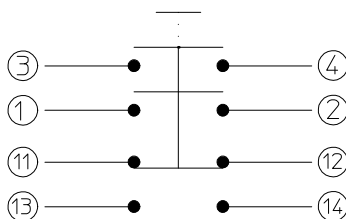


Deutsch Connector:  
DT04-4P-CE09



Z 1:1

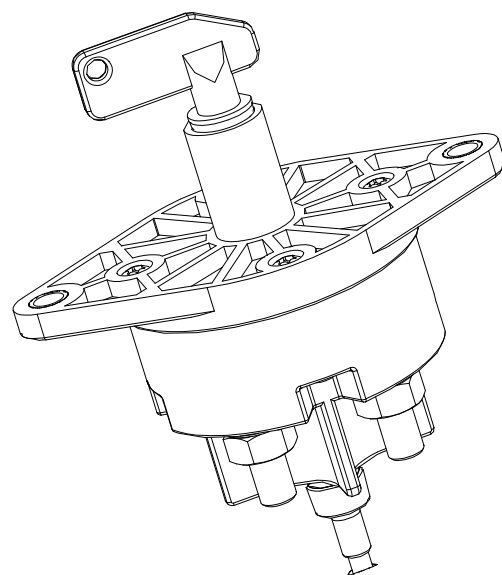
### Schaltbild



For this drawing we reserve the copyright in accordance with DIN ISO 16016

## Technical Data:

Case Material: Cover .....	Vyncolit black
Base Plate .....	PA GF black
Switch Lever Material .....	PA GF black
Min. Insulation Resistance .....	100MΩ
Dielectric Withstanding Voltage .....	1050V-1min.
Max. Contact Drop during Resistive Load .....	150mV
Voltage .....	up to 32VDC
Duty Rating .....	2x 500A
Overload .....	2x2000A-15min.
	2x2500A-10sec.
Auxiliary Contact:	
Continous Current .....	5A
Make and Brake .....	5A
Sealing .....	IP 67/ IEC 529
Vibration .....	10G/ 18-500Hz
Weight .....	~750g / 1.65 Pound
Temperature Range .....	-40°C to +85°C
Wire Section (At Nominal Load) .....	min. 250mm²
Switch Lever .....	removeable
Max. Torque (Main Terminals) .....	15-20Nm



	Date	Name
Create	30.03.2020	Seege
Edited	02.07.2020	Seege
Check	02.07.2020	Grind

mm	Scale
←→	1:2
General Tolerances DIN ISO 2768 cL	



Drawing No:

35-525-100-S-A2-900

NSN: