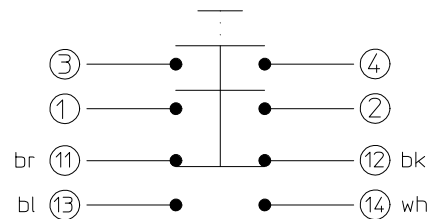
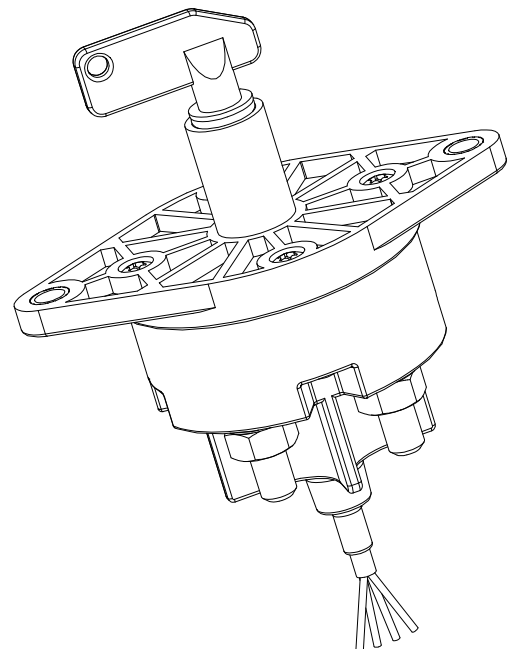


Schaltbild



Technical Data:

Case Material:Cover	Vyncolit black
Base Plate	PA GF black
Switch Lever Material	PA GF black
Min.Insulation Resistance	100MOhm
Dielectric Withstanding Voltage	1050V-1min.
Max.Contact Drop During Resistive Load	150mV
Voltage	up to 32VDC
Duty Rating	2x500A
Overload	2x2000A-1.5min.
.....	2x2500A-10sec.
Auxiliary Contact:	
Continous Current:	5A
Make and Brake:	5A
Sealing	IP 67/ IEC 529
Vibration	10G/ 18-500Hz
Weight.....	750g/1.65 Pound
Temperature Range	-40°C to +85°C
Wire Section(at nominal Load Main Terminals) .	min. 250mm ²
Switch Lever	removeable
Max. Torque (Main Terminals).....	18-22Nm



	Date	Name	mm	Scale		Drawing No:
Drawn	18.07.2017	NMiel	↔	1:2		35-525-100-S-A2
Check	19.07.2017	Grind	General Tolerances			NSN: