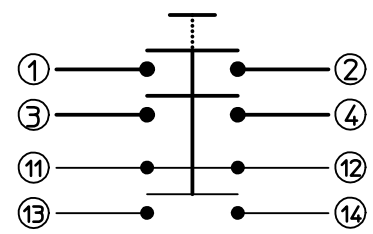


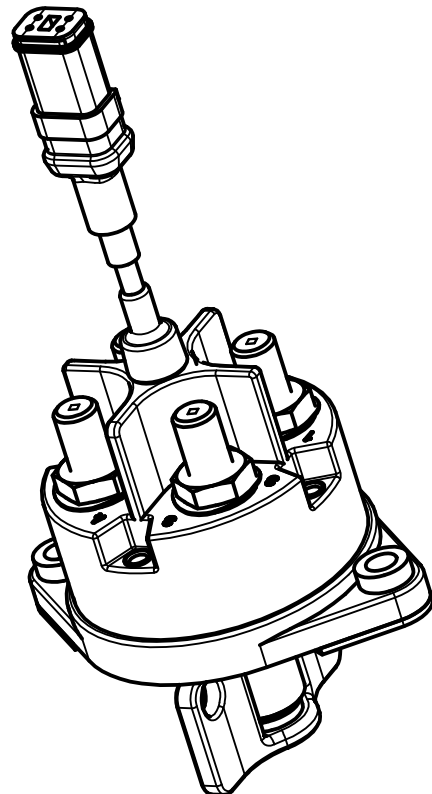
Deutsch Connector:
 Connector Plug Deutsch P/N DT06-4S-E008
 Terminal Socket Deutsch P/N 046220116141
 Lock Second Deutsch W 4S
 Heat shrink 3:1 D124

Circuit



Technical Data:

Case Material:Cover	Vyncolit black
Base Plate	PA GF black
Key Plate	PA GF red
Switch Lever Material	PA GF red
Min.Insulation Resistance	100MOhm
Dielectric Withstanding Voltage	1050V-1min.
Max.Contact Drop During Resistive Load	150mV
Voltage	up to 32VDC
Duty Rating	2x500A
Overload	2x2000A-1.5min. 2x2500A-10sec.
Auxiliary Contact:	
Continous Current:	5A
Make and Brake:	5A
Sealing	IP 67/ IEC 529
Vibration	10G/ 18-500Hz
Weight.....	750g/1.65 Pound
Temperature Range	-40°C to +85°C
Wire Section(at nominal Load Main Terminals) .	min. 250mm ²
Switch Lever	not removeable
Max. Torque (Main Terminals).....	18-22Nm



	Date	Name	mm	Scale	Drawing No:
Drawn	13.03.2014	Seege	General Tolerances DIN ISO 2768 cL	1:2	35-524-231-R-A5-901
Check	09.04.2014	Grind			
					NSN:

