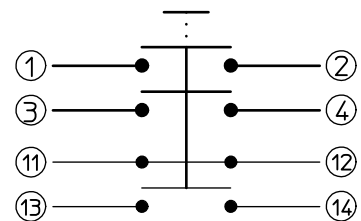


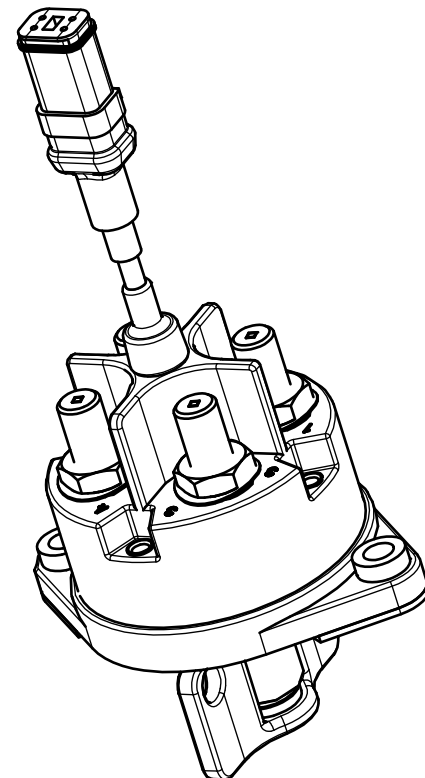
Deutsch Connector:
 Connector Plug Deutsch P/N DT06-4S-E008
 Terminal Socket Deutsch P/N 046220116141
 Lock Second Deutsch W 4S
 Heat shrink 3:1 Di24

Circuit



Technical Data:

Case Material Cover.....	Vyncolit black
Base Plate.....	PA GF black
Switch Lever Material.....	PA GF red
Min. Insulation Resistance.....	100MΩ
Dielectric Withstanding Voltage.....	1050V-1min.
Max. Contact Drop During Resistive Load.....	150mV
Duty Rating.....	2x500A
Nominal switching load.....	2x500A @ 32VDC
.....	2x30A @ 84VDC
Overload.....	2x2000A-1.5min.
.....	2x2500A-10sec.
Auxiliary Contact:	
Continuous Current.....	2A @ 32VDC
Make and Brake.....	2A @ 32VDC
.....	100 cycles 2A @ 84VDC
Sealing.....	IP 67/ IEC 529
Vibration.....	10G/ 10-500Hz
Shock.....	6G/ 11ms
Weight.....	750g/1.65 Pound
Temperature Range.....	-40°C to +85°C
Wire Section (at nominal Load Main Terminals).....	min. 250mm ²
Switch Lever.....	not removeable
Max. Torque (Main Terminals).....	18-22Nm



Date	Name
08.07.2008	Seege
12.02.2018	Grind

mm	Scale
←→	1:2
General Tolerances	
DIN ISO 2768 mK	



Drawing No:

35-524-231-R-A2-901

NSN: