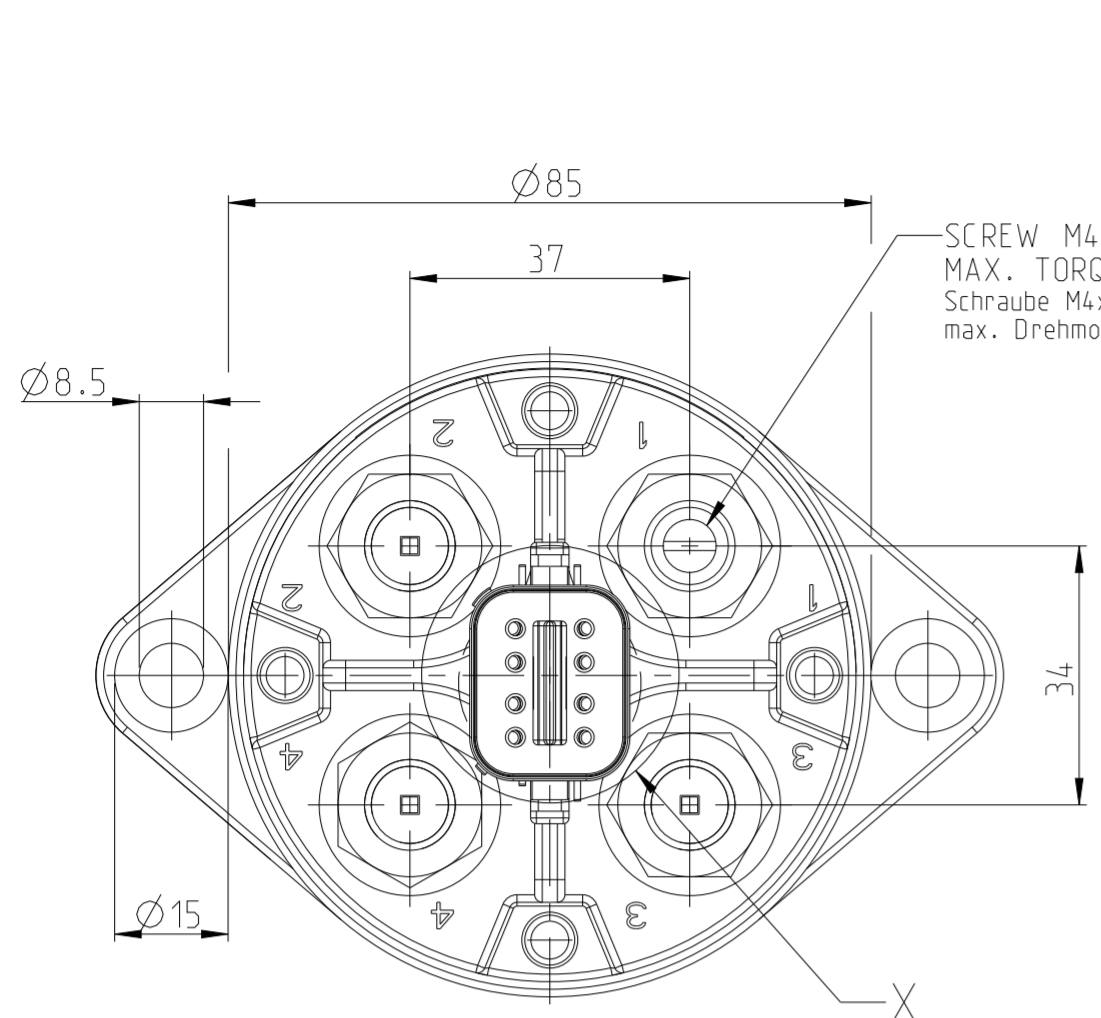
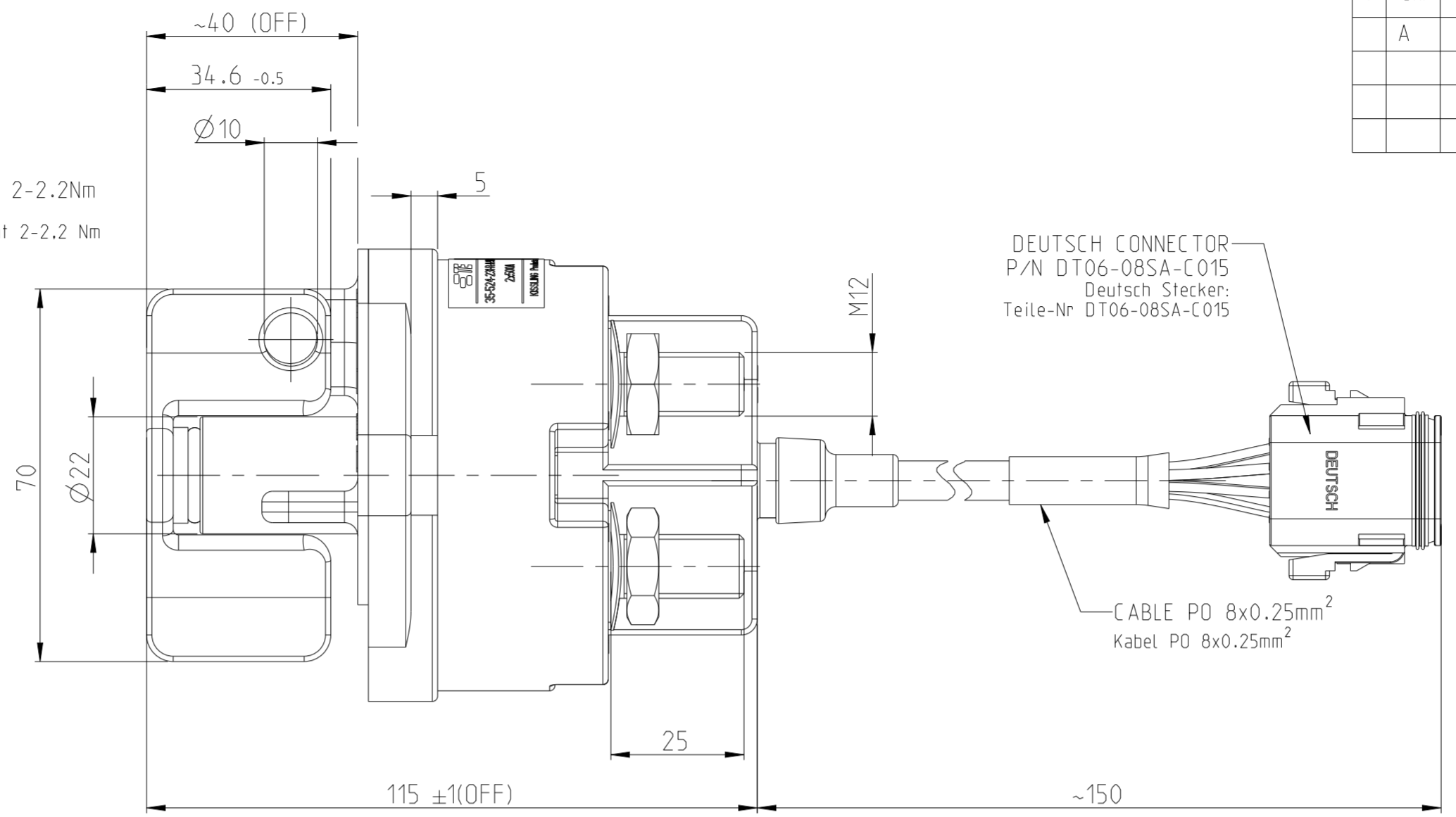


P	LTR	DESCRIPTION	DATE	DWN	APVD
	A	TE STANDARD FORMAT UPDATED	19MAR2024	KS	RB



SCREW M4x6
MAX. TORQUE 2-2.2Nm
Schraube M4x6
max. Drehmoment 2-2.2 Nm

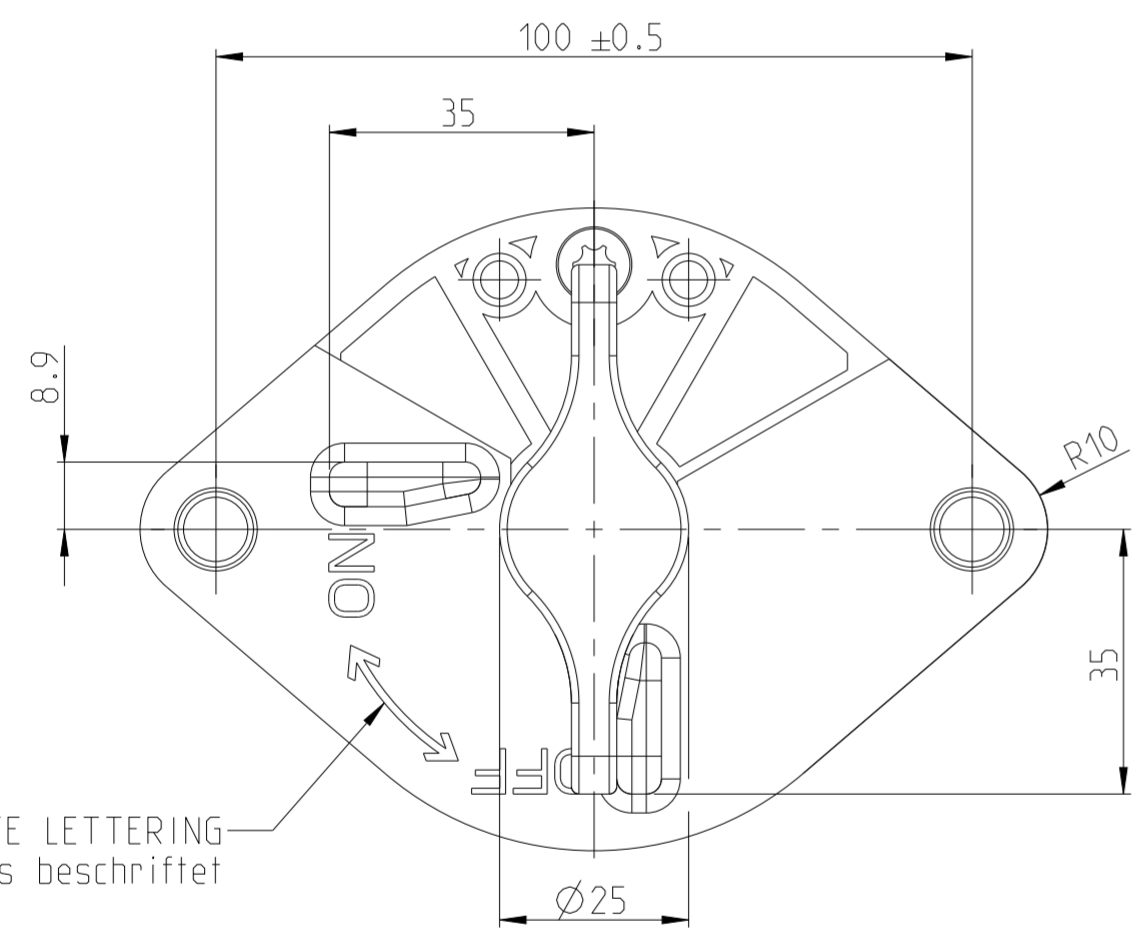


DEUTSCH CONNECTOR
P/N DT06-08SA-C015
Deutsch Stecker:
Teile-Nr DT06-08SA-C015

CABLE PO 8x0.25mm²
Kabel PO 8x0.25mm²

NOTE
Bemerkungen:

- 1 TE-CONNECTIVITY ORDER-NUMBER
TE-connectivity Bestellnummer
- 2 DO NOT SWITCH UNDER LOAD!
Nicht unter Last! schalten!



WHITE LETTERING
weiss beschriftet

Technische Daten
Werkstoff: Haube.....Vyncolit schwarz
Befestigungssockel.....PA GF schwarz
Schalthebel.....PA GF rot
Min. Isolationswiderstand.....100 MΩhm
Hochspannungsfestigkeit.....1050V-1min
Max. Kontaktspannungsabfall bei Nennlast.....150mV
Betriebsspannung.....bis 32 VDC
Dauerstrom.....2x500A
Überlast.....2x2000A-1.5min
.....2x2500A-10sec

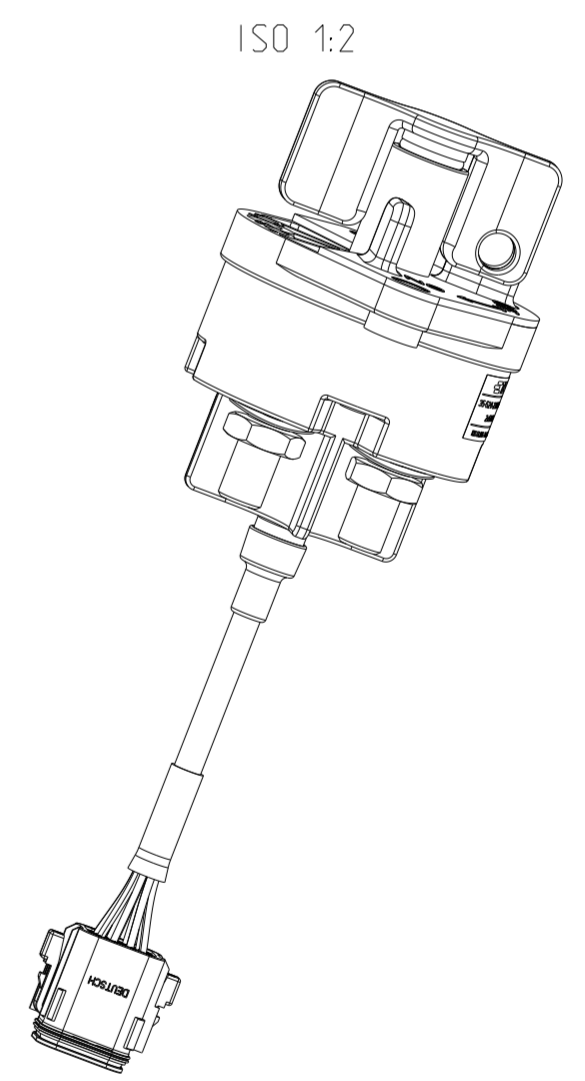
Hilfskontakt:
Einschaltstrom.....8A 12/24V
Dauerstrom.....3A 12/24V

Schutzart.....IP67 / IEC529
Vibration.....10g/ 18-500Hz
Umgebungstemperatur.....-40°C bis +100°C
Anschlussquerschnitt bei Nennlast Hauptkontakte.....min. 250mm²
Schalthebel.....nicht abziehbar
.....abschliessbar in "OFF" Position
.....nicht abschliessbar in "ON" Position
Max. Anzugsmoment (Hauptkontakte).....18-22Nm

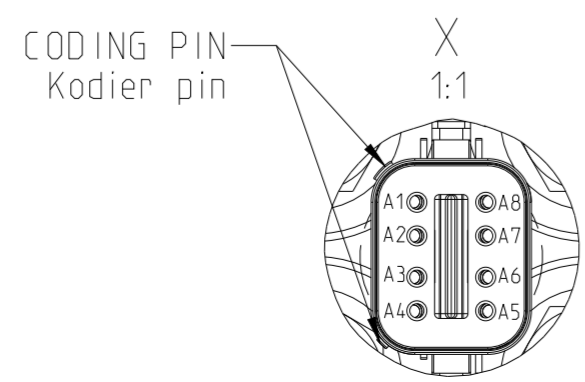
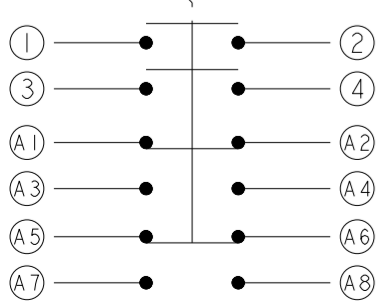
TECHNICAL DATA
MATERIAL: COVER.....VYNCOLIT BLACK
BASE PLATE.....PA GF BLACK
SWITCH LEVER.....PA GF RED
MIN.INSULATION RESISTANCE.....100MΩhm
DIELECTRIC WITHSTANDING VOLTAGE.....1050V-1MIN
MAX.CONTACT DROP DURING RESISTIVE LOAD.....150mV
VOLTAGE.....UP TO 32VDC
DUTY RATING (CONTINUOUS).....2x500A
OVERLOAD.....2x2000A-1.5min
.....2x2500A-10sec

AUXILIARY CONTACT:
INRUSH CURRENT.....8A 12/24V
CONTINUOUS CURRENT.....3A 12/24V

SEALING.....IP67 / IEC529
VIBRATION.....10G/ 18-500HZ
TEMPERATURE RANGE.....-40°C TO +100°C
WIRE SECTION (AT NOMINAL LOAD MAIN TERMINALS).....min. 250mm²
SWITCH LEVER.....NOT REMOVABLE
.....LOCKABLE IN 'OFF' POSITION
.....NOT LOCKABLE IN 'ON' POSITION
MAX. TORQUE (MAIN TERMINALS).....18-22Nm



CIRCUIT DIAGRAM
Schaltbild



THIS DRAWING IS A CONTROLLED DOCUMENT.		DWN K. Seeger 06NOV2017
DIMENSIONS: mm		CHK K. Seeger 06NOV2017
TOLERANCES UNLESS OTHERWISE SPECIFIED: DIN ISO 2768 cL		APVD U. Grindemann 13NOV2017
MATERIAL		PRODUCT SPEC
FINISH		APPLICATION SPEC
WEIGHT		WEIGHT
CUSTOMER DRAWING		SCALE 1:1 SHEET 1 OF 1 REV A

K1160527	1	A	BATTERY DISCONNECTOR Batterietrennschalter	750	1
TE ORDER-NO.	REV.	DESCRIPTION	WEIGHT (g)	ITEM NO.	
TE Connectivity			NAME BATTERY DISCONNECTOR Batterietrennschalter		
SIZE	CAGE CODE	DRAWING NO.	RESTRICTED TO		
A2	00779	C-35-524-231-R-A-908	-		