

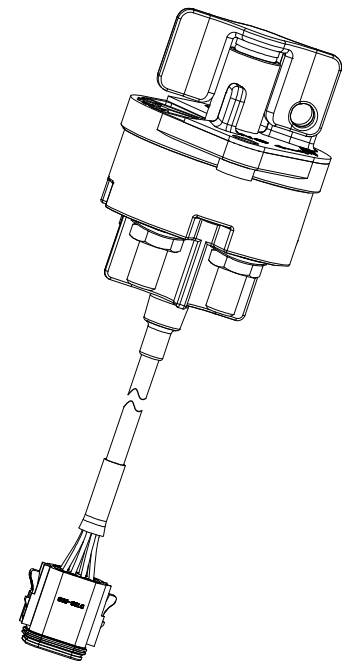
Technical Data:

Case Material Cover.....	Vyncolit black
Base Plate.....	PA GF black
Switch Lever Material.....	PA GF red
Min. Insulation Resistance.....	100M Ω
Dielectric Withstanding Voltage.....	1050V-1min.
Max. Contact Drop During Resistive Load.....	150mV
Voltage.....	up to 45VDC
Duty Rating (Continuous).....	2x500A
Overload.....	2x2000A-1.5min. 2x2500A-10sec.

Auxiliary Contact:

Continous Current.....	0,4A 45V
------------------------	----------

Sealing.....	IP 67/ IEC 529
Vibration.....	10G/ 18-500Hz
Weight.....	750g/1.65 P
Temperature Range.....	-40°C to +100°C
Wire Section(at nominal Load Main Terminals).....	min. 250mm ²
Switch Lever.....	not removeable lockable in "OFF" position not lockable in "ON" position
Max. Torque (Main Terminals).....	18-22Nm



	Date	Name	mm	Scale		Drawing No:
Drawn	08.08.2017	NMiel	↔	1:2		35-524-231-R-A-907
Check	09.08.2017	Grind	General Tolerances DIN ISO 2768 cL		NSN:	