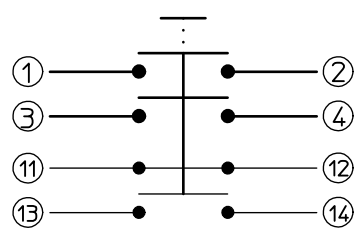


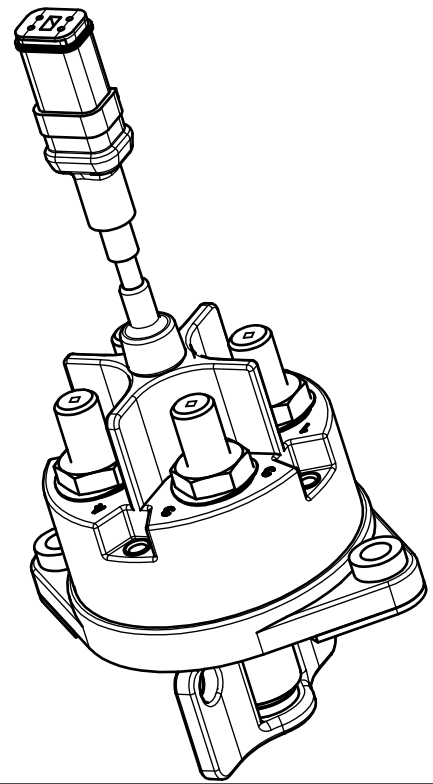
Deutsch Connector:  
 Connector Plug Deutsch P/N DT06-4S-E008  
 Terminal Socket Deutsch P/N 046220116141  
 Lock Second Deutsch W 4S  
 Heat shrink 3:1 Di24

Circuit



Technical Data:

Case Material:Cover .....	Vyncolit black
Base Plate .....	PA GF black
Switch Lever Material .....	PA GF yellow
Min.Insulation Resistance .....	100M0hm
Dielectric Withstanding Voltage .....	1050V-1min.
Max.Contact Drop During Resistive Load .....	150mV
Voltage .....	up to 32VDC
Duty Rating .....	2x500A
Overload .....	2x2000A-1.5min.
	2x2500A-10sec.
<b>Auxiliary Contact:</b>	
Continous Current: .....	2A
Make and Brake: .....	2A
Sealing .....	IP 67/ IEC 529
Vibration .....	10G/ 18-500Hz
Weight.....	750g/1.65 Pound
Temperature Range .....	-40°C bis +85°C
Wire Section(at nominal Load Main Terminals) .	min. 250mm2
Switch Lever .....	not removeable
Max. Torque (Main Terminals).....	18-22Nm



Date	Name	mm	Scale		Drawing No:
22.10.2013	Grind	←	1:2		35-524-231-GE-A2-900
25.04.2018	Grind	General Tolerances DIN ISO 2768 cL		NSN:	